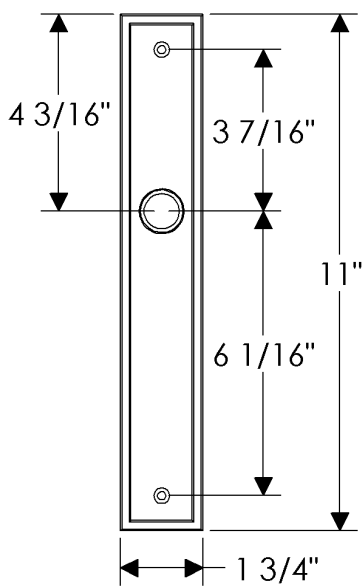
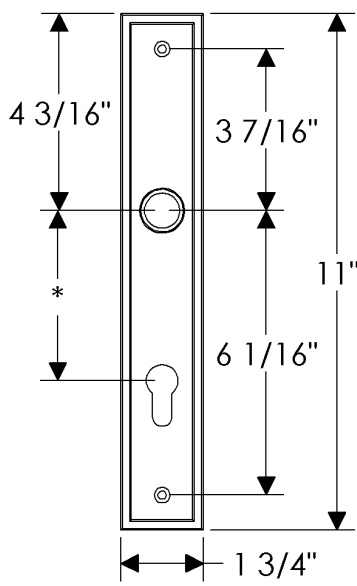


## Stepped Multi-Point Set



**E330**



**E332**

