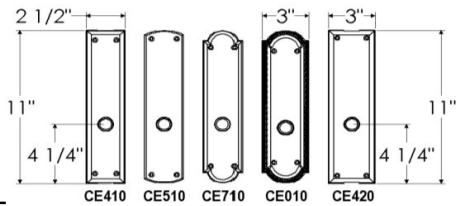
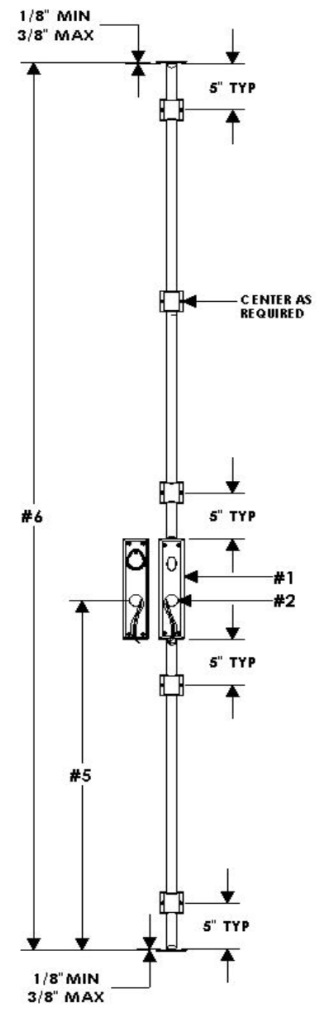
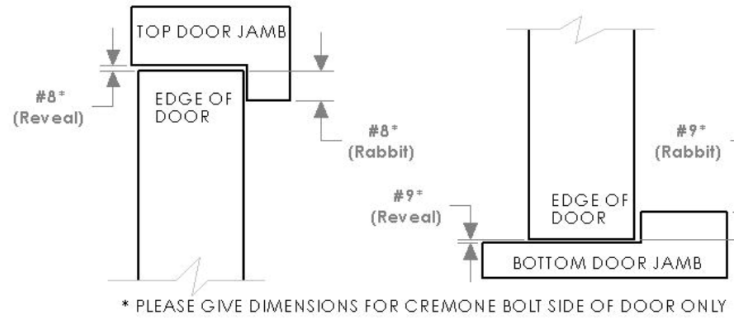


## Cremone Bolt Information

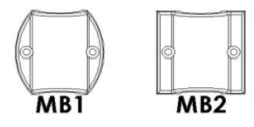
1. Escutcheon \_\_\_\_\_  
(ex. CE410, CE710)
2. Lever Style \_\_\_\_\_  
(ex. L135, L130)
3. Handing \_\_\_\_\_  
(L, R, LR,RR)



4. Cremone bolt to be mounted on double doors? Yes No
5. Lever Height From Top Face of Strike (see sketch) \_\_\_\_\_  
(Inches)
6. Strike to Strike Distance (see sketch) \_\_\_\_\_  
(Inches)
7. Door Height \_\_\_\_\_  
(Inches)
8. Top of Door Reveal or Rabbit (see sketch) \_\_\_\_\_  
(Inches)
9. Bottom of Door Reveal or Rabbit (see sketch) \_\_\_\_\_  
(Inches)



10. Mounting Bracket Style \_\_\_\_\_  
(ex. MB1 or MB2)



10. Strike Style \_\_\_\_\_  
(ex. SB1, SB2AS, or SB2MS)



**Guidelines & Notes:**

1. Cremone bolt throw on either end is 7/8".
2. Lever position will be vertical in the unlocked position (as shown) and horizontal in the locked position.
3. Locking double door configuration is as follows: active panel-cremone is operated by lever on either side. Inactive panel-cremone is operated by interior lever only (exterior lever dummied). The deadbolt locks active panel to inactive panel. Cremone bolts act independently of deadbolt latch.
4. Please verify dimensions of cremone bolt  
(ex. Bolt on Interior of inswing door: #5 [Strike to Strike] = #6 [Door Height] + #8 [Reveal] + #9 [Reveal])  
(ex. Bolt on Interior of outswing door: #5 [Strike to Strike] = #6 [Door Height] + #8 [Rabbit] + #9 [Rabbit])
5. Lever height and escutcheon thickness are unique to Cremone escutcheon.