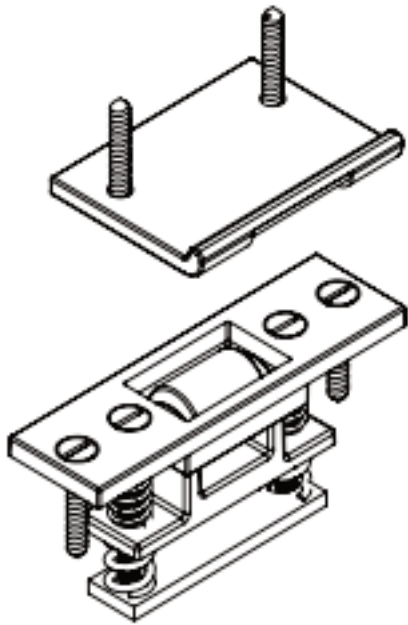


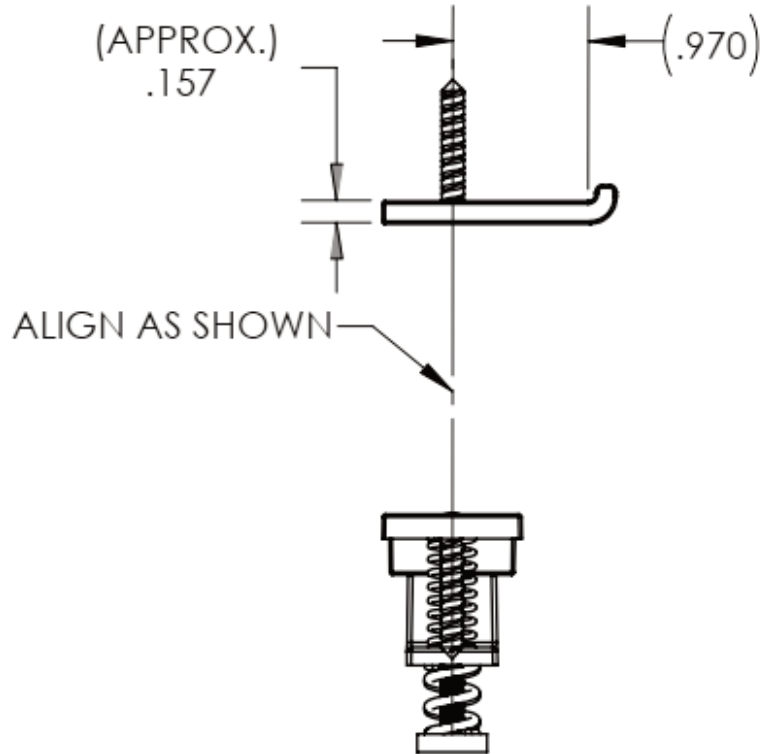
ROCKY MOUNTAIN

H A R D W A R E

RL10 Boring Specification



STRIKE PREP



ROLLER LATCH PREP

