

**Sample Order / Cheat Sheet**  
P Kitchen & Bath 1/2

QUOTE     ORDER

NAME: \_\_\_\_\_

PO# \_\_\_\_\_

ADDRESS: \_\_\_\_\_

DELIVERY: \_\_\_\_\_

\_\_\_\_\_

ADDRESS: \_\_\_\_\_

OFFICE PHONE: \_\_\_\_\_

FAX PHONE: \_\_\_\_\_

JOB PHONE: \_\_\_\_\_



**HARDWARE WORK ORDER**

Toll Free 888.788.2013 or 208.788.2013; Fax 208.788.2577

ORDER DATE: \_\_\_\_\_

CONTACT: \_\_\_\_\_

JOB NAME: \_\_\_\_\_

2002 12 04

LINE NO.	FUNCTION	HANDLE		ESCUTCHEON		METAL	PATINA	HANDING OR LENGTH	BACKSET	DOOR THICKNESS	LOCK TYPE	DEAD BOLT TRIM	DESCRIPTION	LOCATION #	QTY.	PRICE QUOTED
		EXTERIOR	INTERIOR	EXTERIOR	INTERIOR											
1	PT2			E701		B	M								1	\$ 368
2	SR					W	M	58					12		1	\$ 2030
3	TR			E300		W	M	8							1	\$ 448
4	TRK			E300		W	M	24							1	\$ 1488
5	RH			E418		B	R								1	\$ 258
6	TB2			E418		B	R	18							1	\$ 466
7	AC					B	D						SR901		1	\$ 1395

**FUNCTION**  
For a list of Functions available for Kitchen and Bath Accessories, see next page.

**HANDLE**  
Not Applicable

**ESCUTCHEONS**  
For a list of Escutcheons available for Door Accessories, see next page.

For configurations, specifications, and pricing, refer to content of this section.

**METAL**  
B = Silicon Bronze  
W = White Bronze

**PATINA**  
L = Light  
M = Medium  
D = Dark  
R = Rust  
BB = Brushed  
DL = Dark Lustre  
HP = High Polished \*  
\*Up-charge applies.

**HANDING / LENGTH**  
L = Left Hand  
R = Right Hand

See next page for Length options

**BACKSET**  
Not Applicable

**DOOR THICKNESS**  
Not Applicable

**LOCK TYPE**  
Not Applicable

**DEAD BOLT TRIM**  
Not Applicable

**DESCRIPTION**  
12 = 12 Hooks  
SR901 = Shower Curtain Rod Only  
SRB901 = Shower Curtain Rod Bracket Only  
SRH901 = Shower Curtain Rod Hook Only  
See page Pii for more options

**LOCATION #**  
Room Number or Door Number, etc.

**QTY**  
Number of each desired

**PRICE**  
\$ List price each

**Sample Order / Cheat Sheet**

P Kitchen &amp; Bath

2/2

**FUNCTION**

PT1 = Paper Towel Holder, horizontal  
 PT2 = Paper Towel Holder, vertical  
 PT3 = Paper Towel Holder, Tempo, horizontal  
 PT4 = Paper Towel Holder, Tempo, vertical  
 PT5 = Paper Towel Holder, Standing, vertical  
 PT6 = Paper Towel Holder, Tube, horizontal  
 PT7 = Paper Towel Holder, Rail, horizontal

TB = Towel Bar  
 TB2 = Towel Bar, Continuous  
 TB3 = Towel Bar, Tempo  
 TB4 = Towel Bar, Tube  
 TB5 = Towel Bar, Rail  
 TB6 = Detour Single Towel Bar  
 TB7 = Detour Double Towel Bar  
 TB616 = Towel Bar, Cirque  
 TB624 = Towel Bar, Cirque  
 TB30300 = Towel Bar, Trousdale

TP1 = Toilet Paper Holder, horizontal  
 TP2 = Toilet Paper Holder, vertical  
 TP3 = Toilet Paper Holder, Tempo, horizontal  
 TP4 = Toilet Paper Holder, Tempo, vertical  
 TP5 = Toilet Paper Holder, horizontal  
 TP6 = Toilet Paper Holder, Tube, horizontal  
 TP7 = Toilet Paper Holder, Rail, horizontal  
 TP11 = Toilet Paper Holder, Detour  
 TP605 = Toilet Paper Holder, Cirque  
 TB30310 = Toilet Paper Holder, Trousdale, vertical

TRK = Towel Rack  
 TRK3 = Towel Rack  
 SHB = Shelf Bracket

RH2 = Robe Hook, Twist  
 RH4 = Robe Hook, Whale Tail  
 RH5 = Robe Hook, Peg  
 RH6 = Robe Hook, Kinked  
 RH605 = Robe Hook, Cirque  
 RH606 = Double Robe Hook, Cirque  
 RH30300 = Robe Hook, Trousdale

TR = Towel Ring  
 SR = Shower Curtain Rod and  
 Brackets with Hooks  
 AC = Accessory

**ESUTCHEONS**

Arched-Rnd-Oval  
 E700 = 2 1/2" x 3 3/4" Arched  
 E701 = 2 1/2" x 5 1/2" Arched  
 E417 = 2 1/2" Round  
 E418 = 3 1/4" Round

E419 = 6 1/2" Round  
 E501 = 2 5/8" x 5 1/4" Oval  
**ESUTCHEONS (continued)**  
 Bordeaux  
 E30802 = 2 1/2" Round  
 E30803 = 3 1/4" Round  
 E30804 = 2 1/2" x 4 1/2" Bordeaux  
 E30806 = 2 1/2" x 5 1/2" Oval  
 Briggs  
 E10820 = 2 1/2" Round  
 E10800 = 2 3/8" x 7" Briggs

Convex  
 E30503 = 2 1/2" x 4 1/2" Convex

Corbel Arched  
 E30603 = 2 1/2" x 4 1/2" Corbel

Corbel Rectangular  
 E30703 = 2 1/2" x 4 1/2" Corbel

Curved  
 E500 = 2 1/2" x 3 3/4" Curved  
 E504 = 2 1/2" x 4 1/2" Curved

Designer  
 E101 = 3 1/2" Round  
 E103 = 3" x 3" Square

Edge  
 E153 = 2" x 3" Edge

Ellis  
 E005 = 3" x 5" Ellis

Hammered  
 E30403 = 2 1/2" x 4 1/2" Hammered

Mack  
 E21005 = 2 1/2" x 4 1/2" Mack

Maddox  
 E589 = 3 1/8" Round

Metro  
 E201 = 2 1/4" Round  
 E202 = 3 1/2" Round  
 E204 = 2 1/4" x 2 1/4" Square  
 E205 = 2 1/4" x 3 1/4" Metro  
 E236 = 2 1/2" x 4 1/2" Metro

Oasis  
 E10155 = 3" x 4 1/4" Oasis

E10203 = 2 1/2" x 2 1/2" Square Oasis  
 E10205 = 2 1/2" x 4 1/2" Oasis  
**ESUTCHEONS (continued)**  
 Rectangular-Sq-Dmnd  
 E400 = 2 1/2" x 3 3/4" Rect  
 E414 = 2 1/2" x 4 1/2" Rect  
 E416 = 2 5/8" x 2 5/8" Square  
 E415 = 3 9/16" x 3 9/16" Diamond

Stepped  
 E300 = 2 1/2" x 3 3/4" Stepped

Trousdale  
 E30303 = 3" x 3" Square

**HANDING / LENGTH**

Towel Ring sizes  
 TR6 = 6" Ring  
 TR7 = 7" Ring  
 TR8 = Tempo Towel Ring - 8" Ring  
 TR9 = Lariat Towel Ring - 6" Ring  
 TR605 = Cirque Towel Ring - 5 1/2" Ring

TB2 Towel Bar lengths  
 12 = 12"  
 18 = 18"  
 24 = 24"  
 36 = 36"

TB and TB3 Towel Bar lengths  
 16 = 16"  
 24 = 24"  
 32 = 32"

TB4 Towel Bar lengths  
 8 = 8"  
 16 = 16"  
 24 = 24"  
 32 = 32"

TB5 Towel Bar lengths  
 7 1/2 = 7 1/2"  
 16 = 16"  
 24 = 24"  
 32 = 32"

TB6 Towel Bar lengths  
 16 = 16"

TB7 Towel Bar lengths  
 32 = 32"

GB1 Grab Bar lengths  
 12 = 12"  
 16 = 16"  
 18 = 18"  
 24 = 24"  
 30 = 30"  
 32 = 32"  
 36 = 36"  
 42 = 42"  
 48 = 48"  
 60 = 60"

**Options for "DESCRIPTION" column (pg Pi)**

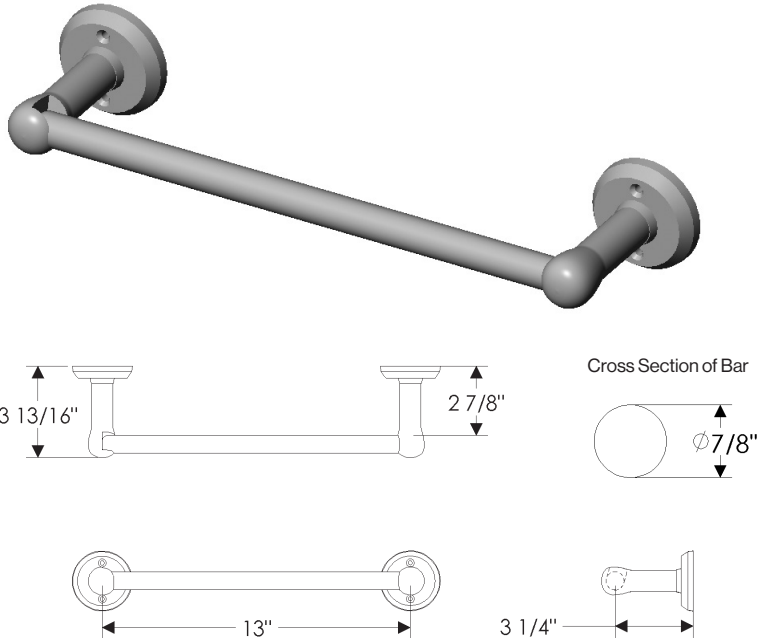
Leather Options  
 LBK = Black Leather  
 LBT = Brown Tapestry Leather  
 LBW = Brown Weave Leather  
 LCH = Chocolate Leather  
 LHA = Hazelnut Leather  
 LSP = Spice Leather  
 LWH = White Leather  
 LWI = Wine Leather

Bronze Insert Options  
 BTW = Weave Insert  
 BFL = Flower Insert  
 BTD = Tide Insert  
 BWD = Wood Insert  
 BBR = Branch Insert  
 BBA = Basic Insert  
 BTF = Tuft Insert  
 BRT = Flute Insert

Edge Collection Options  
 ETW = Weave  
 EWD = Wood  
 EBA = Basic  
 ETD = Tide  
 EWR = Wire  
 EMS = Mooncape

- Combinations are shown with E417 Round Escutcheon for illustration purposes only. Refer to Section B for escutcheon styles and specifications.
- Specify escutcheon style, metal, patina, ring size, and leather or texture.

PT1 Horizontal Paper Towel Holder



PT1 Horizontal Paper Towel Holder

with E005 Ellis Escutcheon	
3" x 5" .....	\$ 677
with E101 Round Designer Escutcheon*	
3 1/2" .....	\$ 971
with E103 Square Designer Escutcheon*	
3" x 3" .....	\$ 895
with E153 Edge Escutcheon*	
2" x 3" .....	\$ 478
with E201 Round Metro Escutcheon	
2 1/4" .....	\$ 456
with E202 Round Metro Escutcheon	
3 1/2" .....	\$ 517
with E204 Square Metro Escutcheon	
2 1/4" x 2 1/4" .....	\$ 460
with E205 Metro Escutcheon	
2 1/4" x 3 1/4" .....	\$ 478
with E236 Metro Escutcheon	
2 1/2" x 4 1/2" .....	\$ 478
with E300 Stepped Escutcheon	
2 1/2" x 3 3/4" .....	\$ 466

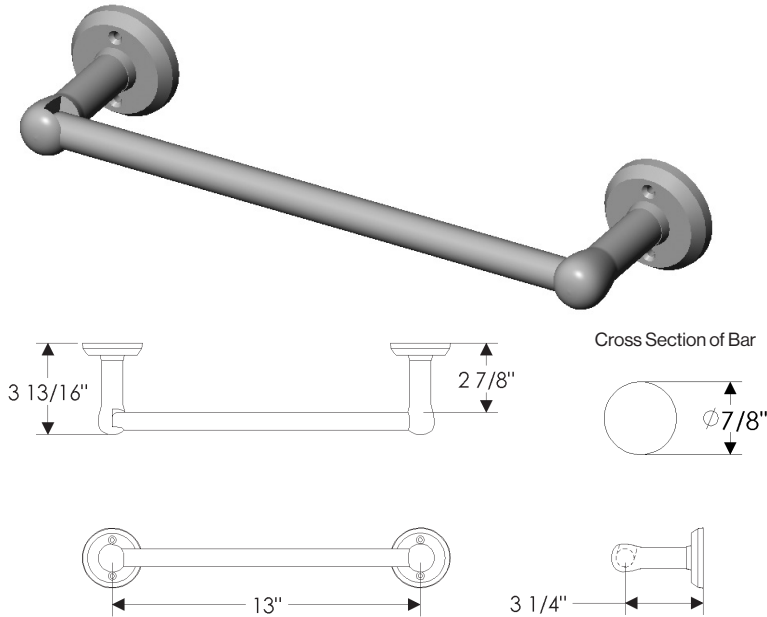
with E400 Rectangular Escutcheon	
2 1/2" x 3 3/4" .....	\$ 466
with E414 Rectangular Escutcheon	
2 1/2" x 4 1/2" .....	\$ 478
with E415 Diamond Escutcheon	
3 9/16" x 3 9/16" .....	\$ 460
with E416 Square Escutcheon	
2 5/8" x 2 5/8" .....	\$ 460
with E417 Round Escutcheon	
2 1/2" .....	\$ 456
with E418 Round Escutcheon	
3 1/4" .....	\$ 484
with E500 Curved Escutcheon	
2 1/2" x 3 3/4" .....	\$ 466
with E504 Curved Escutcheon	
2 1/2" x 4 1/2" .....	\$ 478
with E501 Oval Escutcheon	
2 5/8" x 5 1/4" .....	\$ 490

\* Requires leather or texture choice.

(See following page for additional options)

- Combinations are shown with E417 Round Escutcheon for illustration purposes only. Refer to Section B for escutcheon styles and specifications.
- Specify escutcheon style, metal, patina, ring size, and leather or texture.

PT1 Horizontal Paper Towel Holder (Continued)



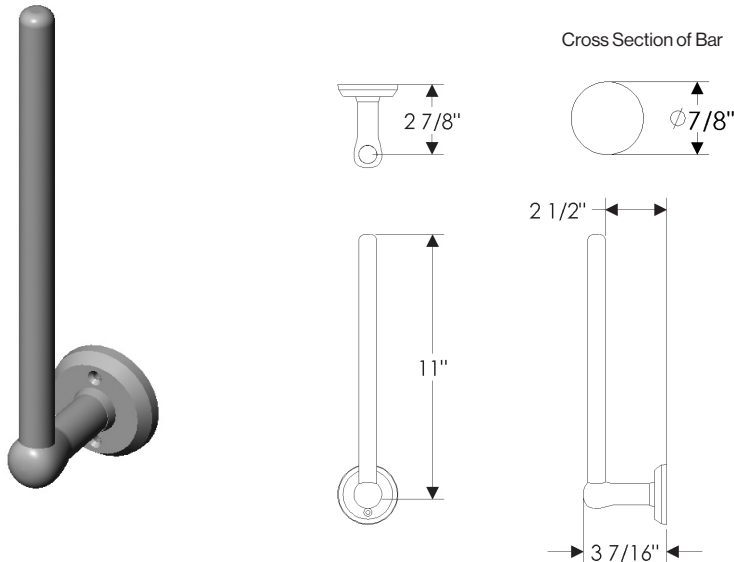
PT1 Horizontal Paper Towel Holder

with E589 Round Maddox Escutcheon	
3 1/8" .....	\$ 586
with E700 Arched Escutcheon	
2 1/2" x 3 3/4" .....	\$ 466
with E701 Arched Escutcheon	
2 1/2" x 5 1/2" .....	\$ 550
with E10155 Oasis Escutcheon	
3" x 4 1/4" .....	\$ 478
with E10203 Square Oasis Escutcheon	
2 1/2" x 2 1/2" .....	\$ 460
with E10205 Oasis Escutcheon	
2 1/2" x 4 1/2" .....	\$ 478
with E10820 Round Briggs Escutcheon	
2 1/2" .....	\$ 456
with E10800 Briggs Escutcheon	
2 3/8" x 7" .....	\$ 491
with E21005 Mack Escutcheon	
2 1/2" x 4 1/2" .....	\$ 478

with E30303 Square Trousdale Escutcheon	
3" x 3" .....	\$ 586
with E30403 Hammered Escutcheon	
2 1/2" x 4 1/2" .....	\$ 478
with E30503 Convex Escutcheon	
2 1/2" x 4 1/2" .....	\$ 677
with E30603 Corbel Arched Escutcheon	
2 1/2" x 4 1/2" .....	\$ 677
with E30703 Corbel Rectangular Escutcheon	
2 1/2" x 4 1/2" .....	\$ 677
with E30802 Round Bordeaux Escutcheon	
2 1/2" .....	\$ 586
with E30803 Round Bordeaux Escutcheon	
3 1/4" .....	\$ 586
with E30804 Bordeaux Escutcheon	
2 1/2" x 4 1/2" .....	\$ 677
with E30806 Oval Bordeaux Escutcheon	
2 1/2" x 5 1/2" .....	\$ 677

- Combinations are shown with E417 Round Escutcheon for illustration purposes only. Refer to Section B for escutcheon styles and specifications.
- Specify escutcheon style, metal, patina, ring size, and leather or texture.

PT2 Vertical Paper Towel Holder



PT2 Vertical Paper Towel Holder

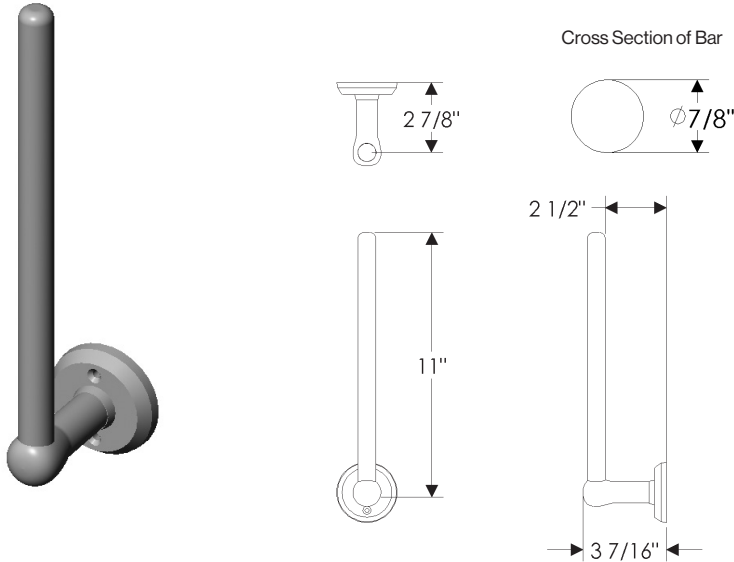
with E005 Ellis Escutcheon 3" x 5" .....	\$ 432	with E415 Diamond Escutcheon 3 9/16" x 3 9/16" .....	\$ 323
with E101 Round Designer Escutcheon* 3 1/2" .....	\$ 578	with E416 Square Escutcheon 2 5/8" x 2 5/8" .....	\$ 323
with E103 Square Designer Escutcheon* 3" x 3" .....	\$ 541	with E417 Round Escutcheon 2 1/2" .....	\$ 321
with E153 Edge Escutcheon* 2" x 3" .....	\$ 332	with E418 Round Escutcheon 3 1/4" .....	\$ 336
with E201 Round Metro Escutcheon 2 1/4" .....	\$ 321	with E500 Curved Escutcheon 2 1/2" x 3 3/4" .....	\$ 326
with E202 Round Metro Escutcheon 3 1/2" .....	\$ 351	with E504 Curved Escutcheon 2 1/2" x 4 1/2" .....	\$ 332
with E204 Square Metro Escutcheon 2 1/4" x 2 1/4" .....	\$ 323	with E501 Oval Escutcheon 2 5/8" x 5 1/4" .....	\$ 337
with E205 Metro Escutcheon 2 1/4" x 3 1/4" .....	\$ 332	with E589 Round Maddox Escutcheon 3 1/8" .....	\$ 385
with E236 Metro Escutcheon 2 1/2" x 4 1/2" .....	\$ 332	with E700 Arched Escutcheon 2 1/2" x 3 3/4" .....	\$ 326
with E300 Stepped Escutcheon 2 1/2" x 3 3/4" .....	\$ 326	with E701 Arched Escutcheon 2 1/2" x 5 1/2" .....	\$ 368
with E400 Rectangular Escutcheon 2 1/2" x 3 3/4" .....	\$ 326		
with E414 Rectangular Escutcheon 2 1/2" x 4 1/2" .....	\$ 332		

\* Requires leather or texture choice.

(See following page for additional options)

- Combinations are shown with E417 Round Escutcheon for illustration purposes only. Refer to Section B for escutcheon styles and specifications.
- Specify escutcheon style, metal, patina, ring size, and leather or texture.

PT2 Vertical Paper Towel Holder (Continued)



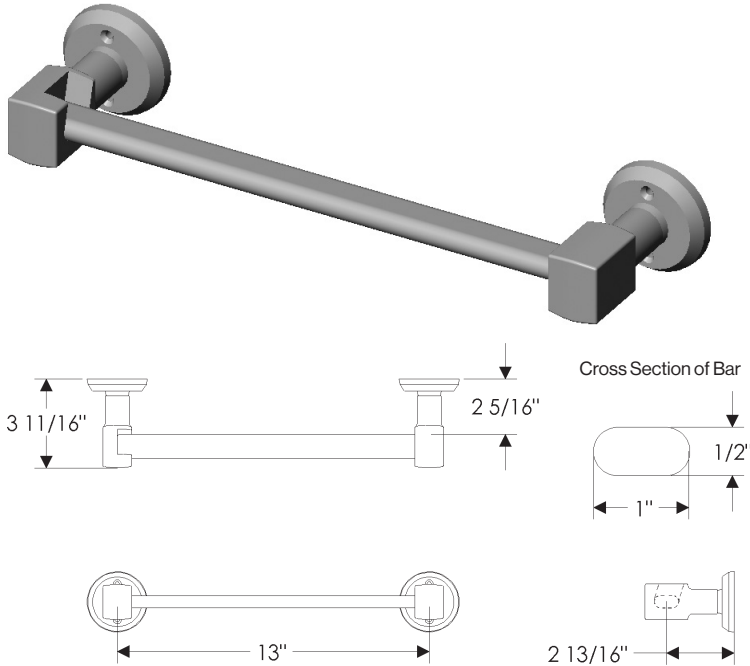
PT2 Vertical Paper Towel Holder

with E10155 Oasis Escutcheon	
3" x 4 1/4".....	\$ 332
with E10203 Square Oasis Escutcheon	
2 1/2" x 2 1/2".....	\$ 323
with E10205 Oasis Escutcheon	
2 1/2" x 4 1/2".....	\$ 332
with E10820 Round Briggs Escutcheon	
2 1/2".....	\$ 321
with E10800 Briggs Escutcheon	
2 3/8" x 7".....	\$ 357
with E21005 Mack Escutcheon	
2 1/2" x 4 1/2".....	\$ 332
with E30303 Square Trousdale Escutcheon	
3" x 3".....	\$ 385
with E30403 Hammered Escutcheon	
2 1/2" x 4 1/2".....	\$ 332
with E30503 Convex Escutcheon	
2 1/2" x 4 1/2".....	\$ 432
with E30603 Corbel Arched Escutcheon	
2 1/2" x 4 1/2".....	\$ 432

with E30703 Corbel Rectangular Escutcheon	
2 1/2" x 4 1/2".....	\$ 432
with E30802 Round Bordeaux Escutcheon	
2 1/2".....	\$ 385
with E30803 Round Bordeaux Escutcheon	
3 1/4".....	\$ 385
with E30804 Bordeaux Escutcheon	
2 1/2" x 4 1/2".....	\$ 432
with E30806 Oval Bordeaux Escutcheon	
2 1/2" x 5 1/2".....	\$ 432

- Combinations are shown with E417 Round Escutcheon for illustration purposes only. Refer to Section B for escutcheon styles and specifications.
- Specify escutcheon style, metal, patina, ring size, and leather or texture.

PT3 Tempo Horizontal Paper Towel Holder



PT3 Tempo Horizontal Paper Towel Holder

with E005 Ellis Escutcheon	
3" x 5" .....	\$ 693
with E101 Round Designer Escutcheon*	
3 1/2" .....	\$ 986
with E103 Square Designer Escutcheon*	
3" x 3" .....	\$ 912
with E153 Edge Escutcheon*	
2" x 3" .....	\$ 490
with E201 Round Metro Escutcheon	
2 1/4" .....	\$ 472
with E202 Round Metro Escutcheon	
3 1/2" .....	\$ 533
with E204 Square Metro Escutcheon	
2 1/4" x 2 1/4" .....	\$ 477
with E205 Metro Escutcheon	
2 1/4" x 3 1/4" .....	\$ 490
with E236 Metro Escutcheon	
2 1/2" x 4 1/2" .....	\$ 490
with E300 Stepped Escutcheon	
2 1/2" x 3 3/4" .....	\$ 482

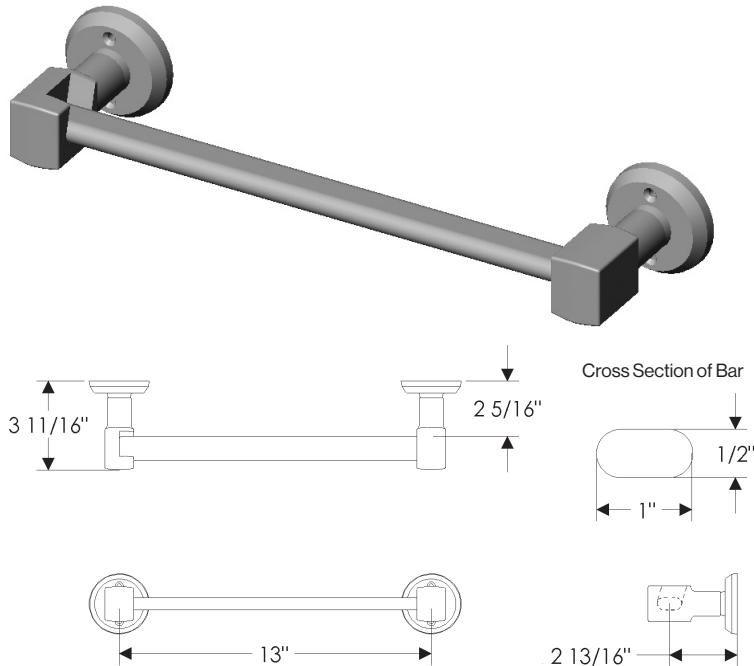
with E400 Rectangular Escutcheon	
2 1/2" x 3 3/4" .....	\$ 482
with E414 Rectangular Escutcheon	
2 1/2" x 4 1/2" .....	\$ 490
with E415 Diamond Escutcheon	
3 9/16" x 3 9/16" .....	\$ 477
with E416 Square Escutcheon	
2 5/8" x 2 5/8" .....	\$ 477
with E417 Round Escutcheon	
2 1/2" .....	\$ 472
with E418 Round Escutcheon	
3 1/4" .....	\$ 502
with E500 Curved Escutcheon	
2 1/2" x 3 3/4" .....	\$ 482
with E504 Curved Escutcheon	
2 1/2" x 4 1/2" .....	\$ 490
with E501 Oval Escutcheon	
2 5/8" x 5 1/4" .....	\$ 505

\* Requires leather or texture choice.

(See following page for additional options)

- Combinations are shown with E417 Round Escutcheon for illustration purposes only. Refer to Section B for escutcheon styles and specifications.
- Specify escutcheon style, metal, patina, ring size, and leather or texture.

PT3 Tempo Horizontal Paper Towel Holder (Continued)



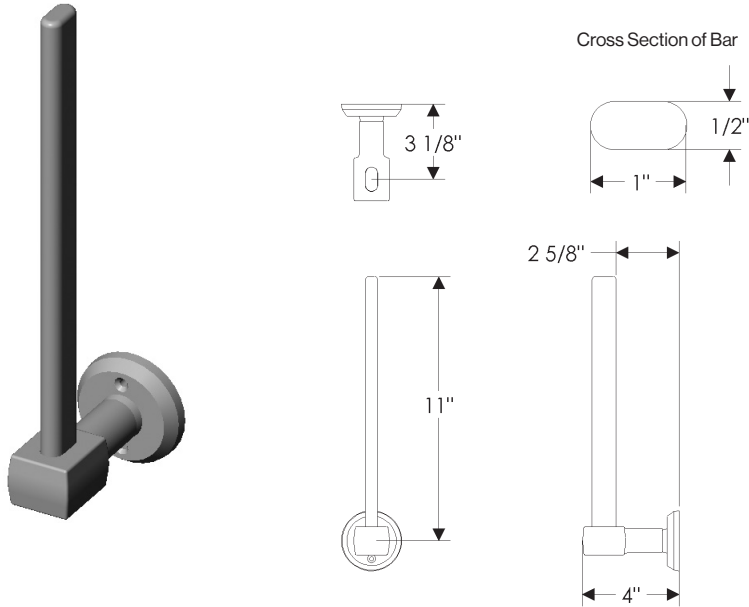
PT3 Tempo Horizontal Paper Towel Holder

with E589 Round Maddox Escutcheon	
3 1/8" .....	\$ 602
with E700 Arched Escutcheon	
2 1/2" x 3 3/4" .....	\$ 482
with E701 Arched Escutcheon	
2 1/2" x 5 1/2" .....	\$ 566
with E10155 Oasis Escutcheon	
3" x 4 1/4" .....	\$ 490
with E10203 Square Oasis Escutcheon	
2 1/2" x 2 1/2" .....	\$ 477
with E10205 Oasis Escutcheon	
2 1/2" x 4 1/2" .....	\$ 490
with E10820 Round Briggs Escutcheon	
2 1/2" .....	\$ 472
with E10800 Briggs Escutcheon	
2 3/8" x 7" .....	\$ 542
with E21005 Mack Escutcheon	
2 1/2" x 4 1/2" .....	\$ 490
with E30303 Square Trousdale Escutcheon	
3" x 3" .....	\$ 602

with E30403 Hammered Escutcheon	
2 1/2" x 4 1/2" .....	\$ 490
with E30503 Convex Escutcheon	
2 1/2" x 4 1/2" .....	\$ 693
with E30603 Corbel Arched Escutcheon	
2 1/2" x 4 1/2" .....	\$ 693
with E30703 Corbel Rectangular Escutcheon	
2 1/2" x 4 1/2" .....	\$ 693
with E30802 Round Bordeaux Escutcheon	
2 1/2" .....	\$ 602
with E30803 Round Bordeaux Escutcheon	
3 1/4" .....	\$ 602
with E30804 Bordeaux Escutcheon	
2 1/2" x 4 1/2" .....	\$ 693
with E30806 Oval Bordeaux Escutcheon	
2 1/2" x 5 1/2" .....	\$ 693

- Combinations are shown with E417 Round Escutcheon for illustration purposes only. Refer to Section B for escutcheon styles and specifications.
- Specify escutcheon style, metal, patina, ring size, and leather or texture.

PT4 Tempo Vertical Paper Towel Holder



PT4 Tempo Vertical Paper Towel Holder

with E005 Ellis Escutcheon 3" x 5" .....	\$ 439
with E101 Round Designer Escutcheon* 3 1/2" .....	\$ 586
with E103 Square Designer Escutcheon* 3" x 3" .....	\$ 550
with E153 Edge Escutcheon* 2" x 3" .....	\$ 338
with E201 Round Metro Escutcheon 2 1/4" .....	\$ 329
with E202 Round Metro Escutcheon 3 1/2" .....	\$ 357
with E204 Square Metro Escutcheon 2 1/4" x 2 1/4" .....	\$ 332
with E205 Metro Escutcheon 2 1/4" x 3 1/4" .....	\$ 338
with E236 Metro Escutcheon 2 1/2" x 4 1/2" .....	\$ 338
with E300 Stepped Escutcheon 2 1/2" x 3 3/4" .....	\$ 334
with E400 Rectangular Escutcheon 2 1/2" x 3 3/4" .....	\$ 334

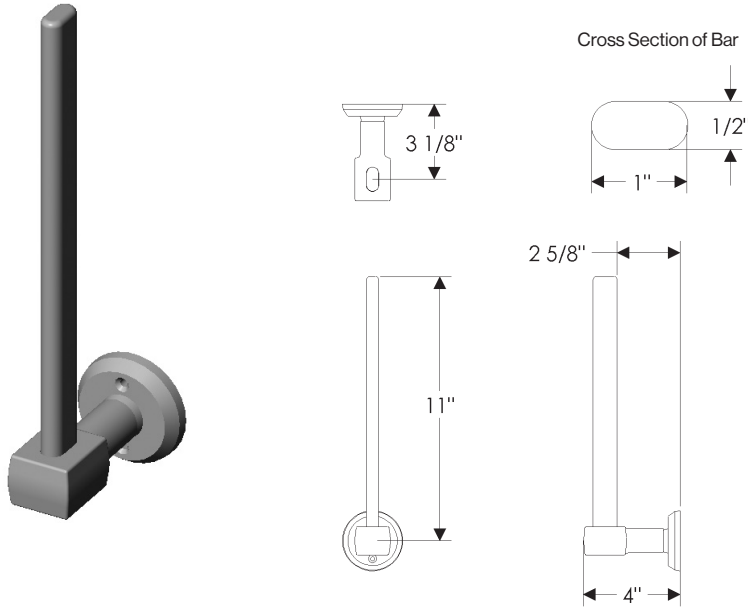
with E414 Rectangular Escutcheon 2 1/2" x 4 1/2" .....	\$ 338
with E415 Diamond Escutcheon 3 9/16" x 3 9/16" .....	\$ 332
with E416 Square Escutcheon 2 5/8" x 2 5/8" .....	\$ 332
with E417 Round Escutcheon 2 1/2" .....	\$ 329
with E418 Round Escutcheon 3 1/4" .....	\$ 344
with E500 Curved Escutcheon 2 1/2" x 3 3/4" .....	\$ 334
with E504 Curved Escutcheon 2 1/2" x 1 1/2" .....	\$ 338
with E501 Oval Escutcheon 2 5/8" x 5 1/4" .....	\$ 345
with E589 Round Maddox Escutcheon 3 1/8" .....	\$ 394

\* Requires leather or texture choice.

(See following page for additional options)

- Combinations are shown with E417 Round Escutcheon for illustration purposes only. Refer to Section B for escutcheon styles and specifications.
- Specify escutcheon style, metal, patina, ring size, and leather or texture.

PT4 Tempo Vertical Paper Towel Holder (Continued)



PT4 Tempo Vertical Paper Towel Holder

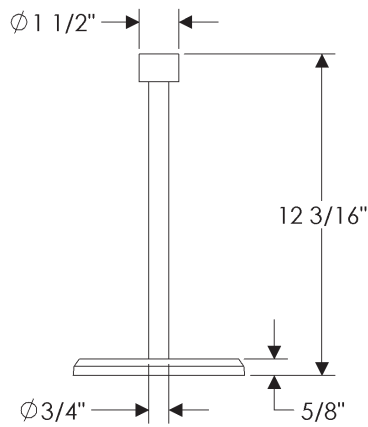
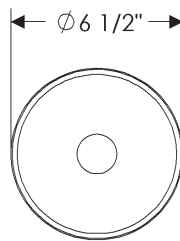
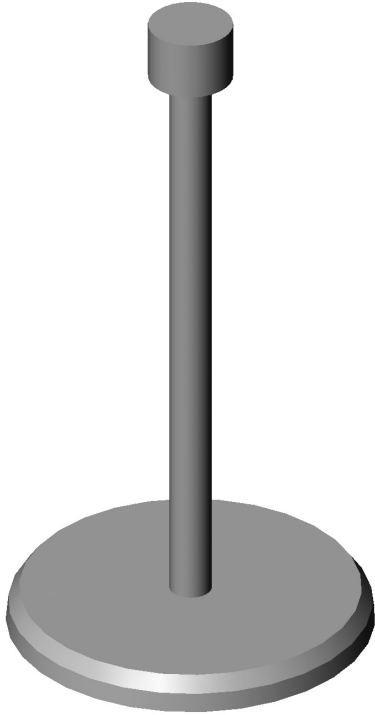
with E700 Arched Escutcheon 2 1/2" x 3 3/4" .....	\$ 334
with E701 Arched Escutcheon 2 1/2" x 5 1/2" .....	\$ 376
with E10155 Oasis Escutcheon 3" x 4 1/4" .....	\$ 338
with E10203 Square Oasis Escutcheon 2 1/2" x 2 1/2" .....	\$ 332
with E10205 Oasis Escutcheon 2 1/2" x 4 1/2" .....	\$ 338
with E10820 Round Briggs Escutcheon 2 1/2" .....	\$ 329
with E10800 Briggs Escutcheon 2 3/8" x 7" .....	\$ 363
with E21005 Mack Escutcheon 2 1/2" x 4 1/2" .....	\$ 338
with E30303 Square Trousdale Escutcheon 3" x 3" .....	\$ 394
with E30403 Hammered Escutcheon 2 1/2" x 4 1/2" .....	\$ 338

with E30503 Convex Escutcheon 2 1/2" x 4 1/2" .....	\$ 439
with E30603 Corbel Arched Escutcheon 2 1/2" x 4 1/2" .....	\$ 439
with E30703 Corbel Rectangular Escutcheon 2 1/2" x 4 1/2" .....	\$ 439
with E30802 Round Bordeaux Escutcheon 2 1/2" .....	\$ 394
with E30803 Round Bordeaux Escutcheon 3 1/4" .....	\$ 394
with E30804 Bordeaux Escutcheon 2 1/2" x 4 1/2" .....	\$ 439
with E30806 Oval Bordeaux Escutcheon 2 1/2" x 5 1/2" .....	\$ 439

- Specify metal, and patina.

PT5 Standing Paper Towel Holder

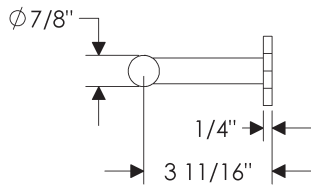
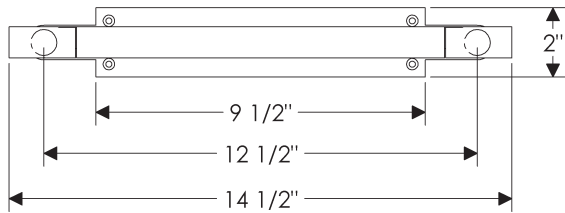
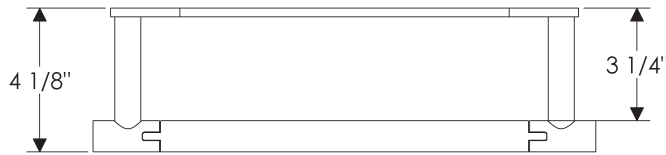
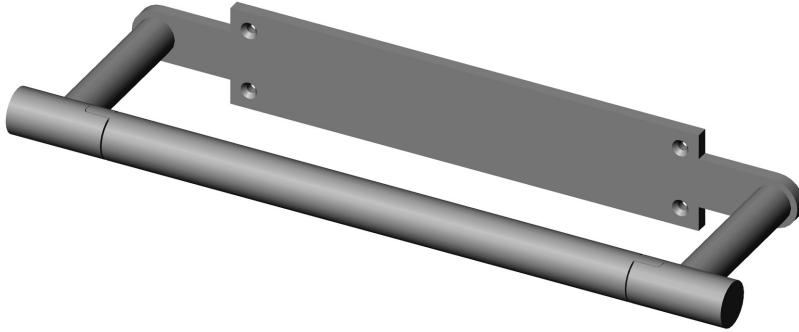
PT5 Standing Paper Towel Holder  
with E419 Round Escutcheon  
6 1/2"..... \$ 341



- Specify metal, and patina.

PT6 Tube Paper Towel Holder

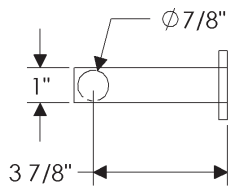
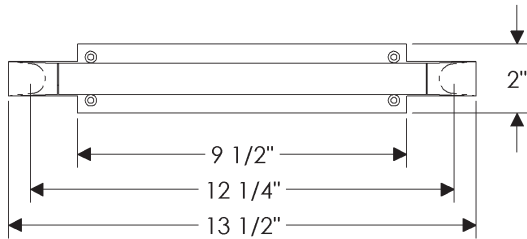
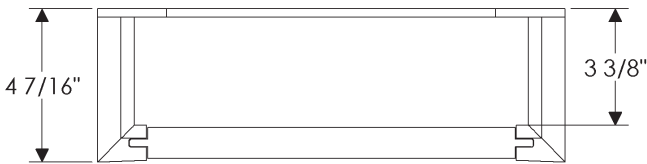
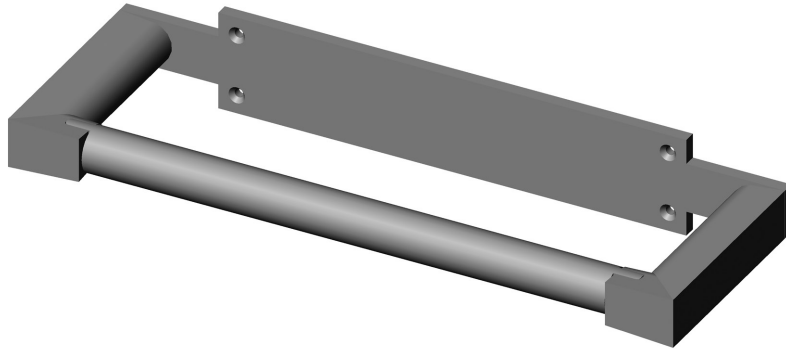
PT6 Tube Paper Towel Holder ..... \$ 560



- Specify metal, and patina.

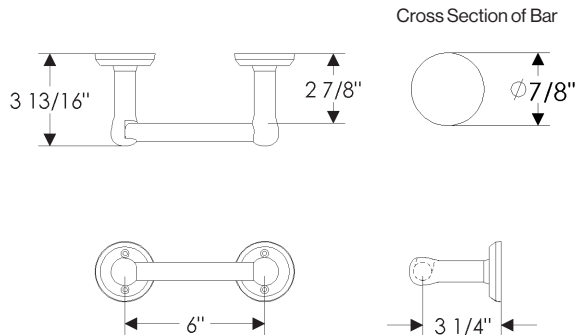
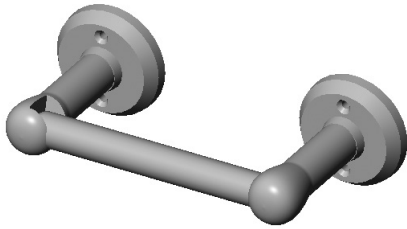
PT7 Rail Paper Towel Holder

PT7 Rail Paper Towel Holder ..... \$ 531



- Combinations are shown with E417 Round Escutcheon for illustration purposes only. Refer to Section B for escutcheon styles and specifications.
- Specify escutcheon style, metal, patina, ring size, and leather or texture.

TP1 Horizontal Toilet Paper Holder



TP1 Horizontal Toilet Paper Holder

with E005 Ellis Escutcheon 3" x 5" .....	\$ 621
with E101 Round Designer Escutcheon* 3 1/2" .....	\$ 913
with E103 Square Designer Escutcheon* 3" x 3" .....	\$ 839
with E153 Edge Escutcheon* 2" x 3" .....	\$ 421
with E201 Round Metro Escutcheon 2 1/4" .....	\$ 399
with E202 Round Metro Escutcheon 3 1/2" .....	\$ 460
with E204 Square Metro Escutcheon 2 1/4" x 2 1/4" .....	\$ 404
with E205 Metro Escutcheon 2 1/4" x 3 1/4" .....	\$ 421
with E236 Metro Escutcheon 2 1/2" x 4 1/2" .....	\$ 421
with E300 Stepped Escutcheon 2 1/2" x 3 3/4" .....	\$ 411
with E400 Rectangular Escutcheon 2 1/2" x 3 3/4" .....	\$ 410

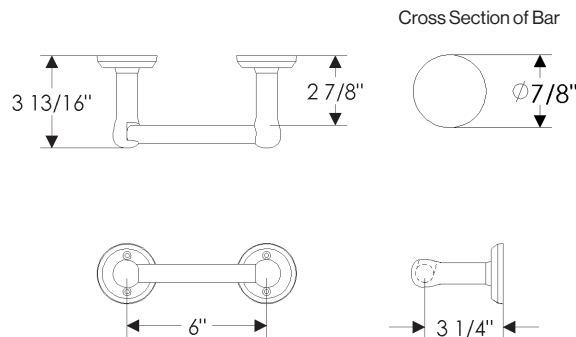
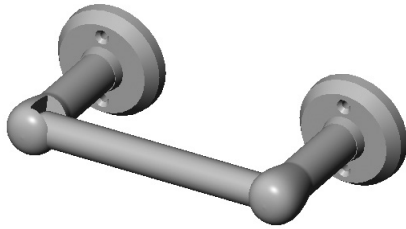
with E414 Rectangular Escutcheon 2 1/2" x 4 1/2" .....	\$ 421
with E415 Diamond Escutcheon 3 9/16" x 3 9/16" .....	\$ 404
with E416 Square Escutcheon 2 5/8" x 2 5/8" .....	\$ 404
with E417 Round Escutcheon 2 1/2" .....	\$ 399
with E418 Round Escutcheon 3 1/4" .....	\$ 429
with E500 Curved Escutcheon 2 1/2" x 3 3/4" .....	\$ 410
with E504 Curved Escutcheon 2 1/2" x 4 1/2" .....	\$ 421
with E501 Oval Escutcheon 2 5/8" x 5 1/4" .....	\$ 433
with E589 Round Maddox Escutcheon 3 1/8" .....	\$ 528

\* Requires leather or texture choice.

(See following page for additional options)

- Combinations are shown with E417 Round Escutcheon for illustration purposes only. Refer to Section B for escutcheon styles and specifications.
- Specify escutcheon style, metal, patina, ring size, and leather or texture.

TP1 Horizontal Toilet Paper Holder (Continued)



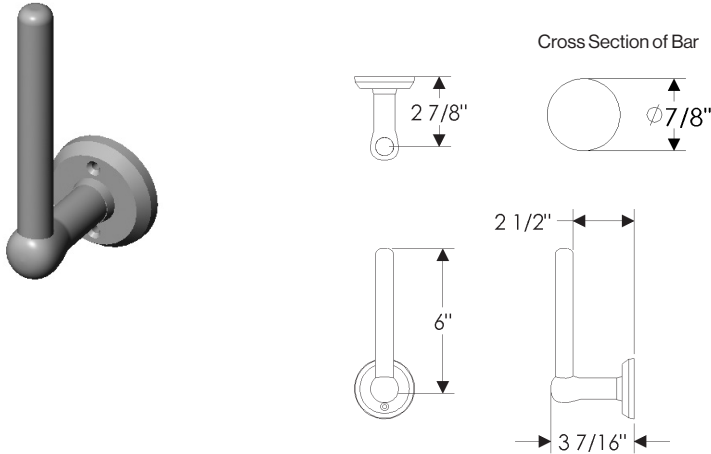
TP1 Horizontal Toilet Paper Holder

with E700 Arched Escutcheon 2 1/2" x 3 3/4" .....	\$ 410
with E701 Arched Escutcheon 2 1/2" x 5 1/2" .....	\$ 492
with E10155 Oasis Escutcheon 3" x 4 1/4" .....	\$ 421
with E10203 Square Oasis Escutcheon 2 1/2" x 2 1/2" .....	\$ 404
with E10205 Oasis Escutcheon 2 1/2" x 4 1/2" .....	\$ 421
with E10820 Round Briggs Escutcheon 2 1/2" .....	\$ 399
with E10800 Briggs Escutcheon 2 3/8" x 7" .....	\$ 469
with E21005 Mack Escutcheon 2 1/2" x 4 1/2" .....	\$ 421
with E30303 Square Trousdale Escutcheon 3" x 3" .....	\$ 528
with E30403 Hammered Escutcheon 2 1/2" x 4 1/2" .....	\$ 421

with E30503 Convex Escutcheon 2 1/2" x 4 1/2" .....	\$ 621
with E30603 Corbel Arched Escutcheon 2 1/2" x 4 1/2" .....	\$ 621
with E30703 Corbel Rectangular Escutcheon 2 1/2" x 4 1/2" .....	\$ 621
with E30802 Round Bordeaux Escutcheon 2 1/2" .....	\$ 528
with E30803 Round Bordeaux Escutcheon 3 1/4" .....	\$ 528
with E30804 Bordeaux Escutcheon 2 1/2" x 4 1/2" .....	\$ 621
with E30806 Oval Bordeaux Escutcheon 2 1/2" x 5 1/2" .....	\$ 621

- Combinations are shown with E417 Round Escutcheon for illustration purposes only. Refer to Section B for escutcheon styles and specifications.
- Specify escutcheon style, metal, patina, ring size, and leather or texture.

TP2 Vertical Toilet Paper Holder



TP2 Vertical Toilet Paper Holder

with E005 Ellis Escutcheon	
3" x 5" .....	\$ 379
with E101 Round Designer Escutcheon*	
3 1/2" .....	\$ 525
with E103 Square Designer Escutcheon*	
3" x 3" .....	\$ 488
with E153 Edge Escutcheon*	
2" x 3" .....	\$ 277
with E201 Round Metro Escutcheon	
2 1/4" .....	\$ 267
with E202 Round Metro Escutcheon	
3 1/2" .....	\$ 299
with E204 Square Metro Escutcheon	
2 1/4" x 2 1/4" .....	\$ 271
with E205 Metro Escutcheon	
2 1/4" x 3 1/4" .....	\$ 277
with E236 Metro Escutcheon	
2 1/2" x 4 1/2" .....	\$ 277
with E300 Stepped Escutcheon	
2 1/2" x 3 3/4" .....	\$ 273
with E400 Rectangular Escutcheon	
2 1/2" x 3 3/4" .....	\$ 273
with E414 Rectangular Escutcheon	
2 1/2" x 4 1/2" .....	\$ 277

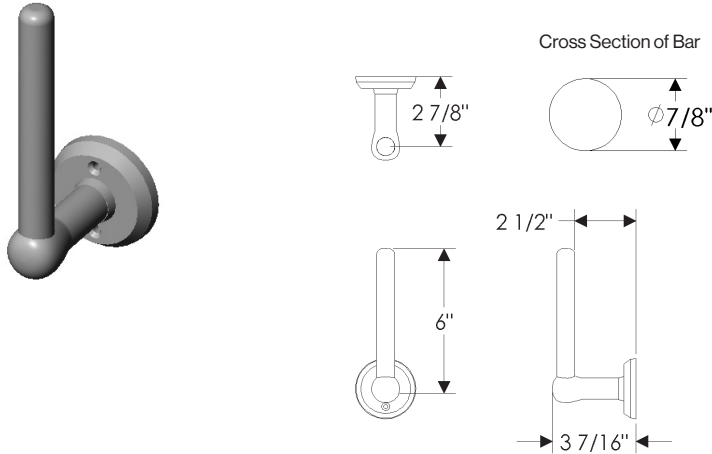
with E415 Diamond Escutcheon	
3 9/16" x 3 9/16" .....	\$ 271
with E416 Square Escutcheon	
2 5/8" x 2 5/8" .....	\$ 271
with E417 Round Escutcheon	
2 1/2" .....	\$ 267
with E418 Round Escutcheon	
3 1/4" .....	\$ 283
with E500 Curved Escutcheon	
2 1/2" x 3 3/4" .....	\$ 273
with E504 Curved Escutcheon	
2 1/2" x 4 1/2" .....	\$ 277
with E501 Oval Escutcheon	
2 5/8" x 5 1/4" .....	\$ 285
with E589 Round Maddox Escutcheon	
3 1/8" .....	\$ 333
with E700 Arched Escutcheon	
2 1/2" x 3 3/4" .....	\$ 273
with E701 Arched Escutcheon	
2 1/2" x 5 1/2" .....	\$ 314

\* Requires leather or texture choice.

(See following page for additional options)

- Combinations are shown with E417 Round Escutcheon for illustration purposes only. Refer to Section B for escutcheon styles and specifications.
- Specify escutcheon style, metal, patina, ring size, and leather or texture.

TP2 Vertical Toilet Paper Holder (Continued)



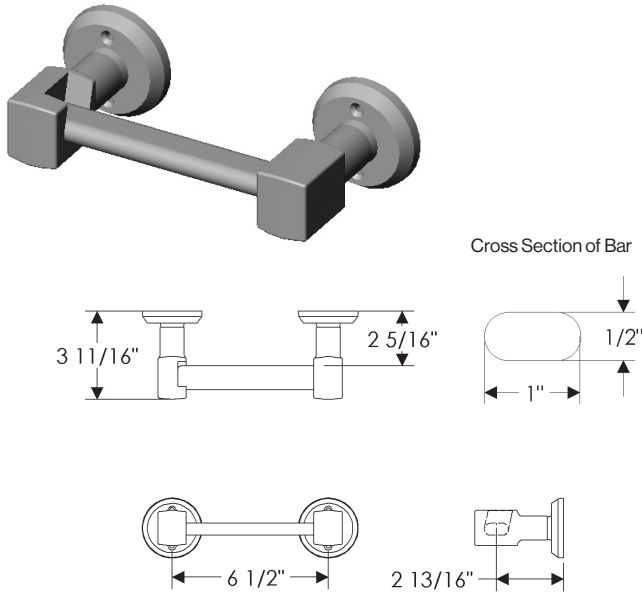
TP2 Vertical Toilet Paper Holder

with E10155 Oasis Escutcheon 3" x 4 1/4" .....	\$ 277
with E10203 Square Oasis Escutcheon 2 1/2" x 2 1/2" .....	\$ 271
with E10205 Oasis Escutcheon 2 1/2" x 4 1/2" .....	\$ 277
with E10820 Round Briggs Escutcheon 2 1/2" .....	\$ 267
with E10800 Briggs Escutcheon 2 3/8" x 7" .....	\$ 302
with E21005 Mack Escutcheon 2 1/2" x 4 1/2" .....	\$ 277
with E30303 Square Trousdale Escutcheon 3" x 3" .....	\$ 333
with E30403 Hammered Escutcheon 2 1/2" x 4 1/2" .....	\$ 277
with E30503 Convex Escutcheon 2 1/2" x 4 1/2" .....	\$ 379
with E30603 Corbel Arched Escutcheon 2 1/2" x 4 1/2" .....	\$ 379

with E30703 Corbel Rectangular Escutcheon 2 1/2" x 4 1/2" .....	\$ 379
with E30802 Round Bordeaux Escutcheon 2 1/2" .....	\$ 333
with E30803 Round Bordeaux Escutcheon 3 1/4" .....	\$ 333
with E30804 Bordeaux Escutcheon 2 1/2" x 4 1/2" .....	\$ 379
with E30806 Oval Bordeaux Escutcheon 2 1/2" x 5 1/2" .....	\$ 379

- Combinations are shown with E417 Round Escutcheon for illustration purposes only. Refer to Section B for escutcheon styles and specifications.
- Specify escutcheon style, metal, patina, ring size, and leather or texture.

TP3 Tempo Horizontal Toilet Paper Holder



TP3 Tempo Horizontal Toilet Paper Holder

with E005 Ellis Escutcheon	
3" x 5" .....	\$ 636
with E101 Round Designer Escutcheon*	
3 1/2" .....	\$ 929
with E103 Square Designer Escutcheon*	
3" x 3" .....	\$ 855
with E153 Edge Escutcheon*	
2" x 3" .....	\$ 436
with E201 Round Metro Escutcheon	
2 1/4" .....	\$ 416
with E202 Round Metro Escutcheon	
3 1/2" .....	\$ 477
with E204 Square Metro Escutcheon	
2 1/4" x 2 1/4" .....	\$ 420
with E205 Metro Escutcheon	
2 1/4" x 3 1/4" .....	\$ 436
with E236 Metro Escutcheon	
2 1/2" x 4 1/2" .....	\$ 436
with E300 Stepped Escutcheon	
2 1/2" x 3 3/4" .....	\$ 424
with E400 Rectangular Escutcheon	
2 1/2" x 3 3/4" .....	\$ 424

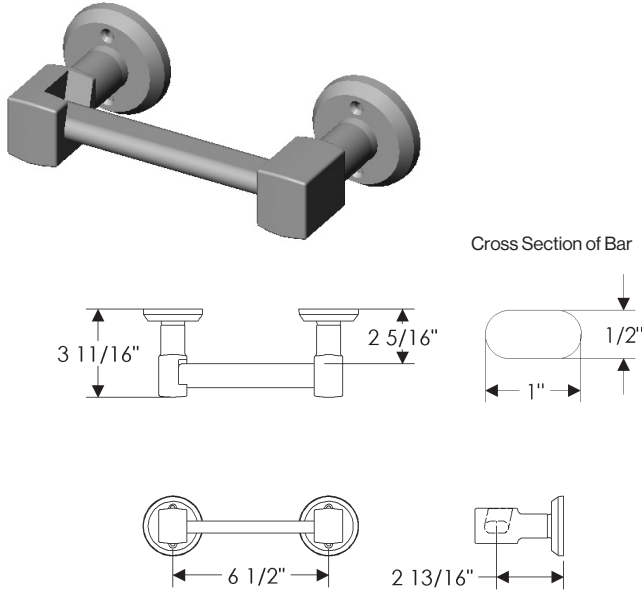
with E414 Rectangular Escutcheon	
2 1/2" x 4 1/2" .....	\$ 436
with E415 Diamond Escutcheon	
3 9/16" x 3 9/16" .....	\$ 420
with E416 Square Escutcheon	
2 5/8" x 2 5/8" .....	\$ 420
with E417 Round Escutcheon	
2 1/2" .....	\$ 416
with E418 Round Escutcheon	
3 1/4" .....	\$ 445
with E500 Curved Escutcheon	
2 1/2" x 3 3/4" .....	\$ 424
with E504 Curved Escutcheon	
2 1/2" x 4 1/2" .....	\$ 436
with E501 Oval Escutcheon	
2 5/8" x 5 1/4" .....	\$ 448
with E589 Round Maddox Escutcheon	
3 1/8" .....	\$ 545

\* Requires leather or texture choices.

(See following page for additional options)

- Combinations are shown with E417 Round Escutcheon for illustration purposes only. Refer to Section B for escutcheon styles and specifications.
- Specify escutcheon style, metal, patina, ring size, and leather or texture.

TP3 Tempo Horizontal Toilet Paper Holder (Continued)



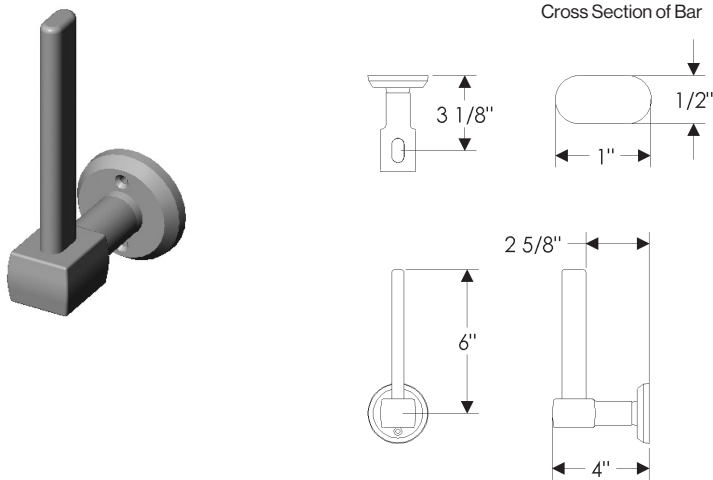
TP3 Tempo Horizontal Toilet Paper Holder

with E700 Arched Escutcheon 2 1/2" x 3 3/4" .....	\$ 424
with E701 Arched Escutcheon 2 1/2" x 5 1/2" .....	\$ 509
with E10155 Oasis Escutcheon 3" x 4 1/4" .....	\$ 436
with E10203 Square Oasis Escutcheon 2 1/2" x 2 1/2" .....	\$ 420
with E10205 Oasis Escutcheon 2 1/2" x 4 1/2" .....	\$ 436
with E10820 Round Briggs Escutcheon 2 1/2" .....	\$ 416
with E10800 Briggs Escutcheon 2 3/8" x 7" .....	\$ 484
with E21005 Mack Escutcheon 2 1/2" x 4 1/2" .....	\$ 436
with E30303 Square Trousdale Escutcheon 3" x 3" .....	\$ 545
with E30403 Hammered Escutcheon 2 1/2" x 4 1/2" .....	\$ 436
with E30503 Convex Escutcheon 2 1/2" x 4 1/2" .....	\$ 636

with E30603 Corbel Arched Escutcheon 2 1/2" x 4 1/2" .....	\$ 636
with E30703 Corbel Rectangular Escutcheon 2 1/2" x 4 1/2" .....	\$ 636
with E30802 Round Bordeaux Escutcheon 2 1/2" .....	\$ 545
with E30803 Round Bordeaux Escutcheon 3 1/4" .....	\$ 545
with E30804 Bordeaux Escutcheon 2 1/2" x 4 1/2" .....	\$ 636
with E30806 Oval Bordeaux Escutcheon 2 1/2" x 5 1/2" .....	\$ 636

- Combinations are shown with E417 Round Escutcheon for illustration purposes only. Refer to Section B for escutcheon styles and specifications.
- Specify escutcheon style, metal, patina, ring size, and leather or texture.

TP4 Tempo Vertical Toilet Paper Holder



TP4 Tempo Vertical Toilet Paper Holder

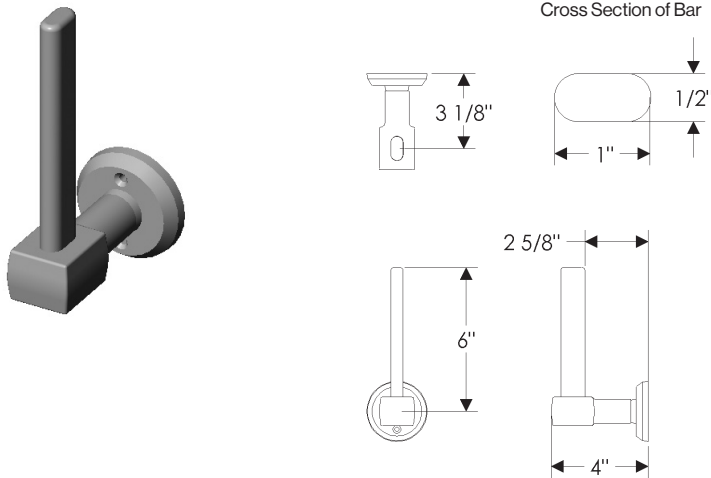
with E005 Ellis Escutcheon 3" x 5" .....	\$ 385	with E415 Diamond Escutcheon 3 9/16" x 3 9/16" .....	\$ 273
with E101 Round Designer Escutcheon* 3 1/2" .....	\$ 532	with E416 Square Escutcheon 2 5/8" x 2 5/8" .....	\$ 273
with E103 Square Designer Escutcheon* 3" x 3" .....	\$ 493	with E417 Round Escutcheon 2 1/2" .....	\$ 274
with E153 Edge Escutcheon* 2" x 3" .....	\$ 286	with E418 Round Escutcheon 3 1/4" .....	\$ 290
with E201 Round Metro Escutcheon 2 1/4" .....	\$ 274	with E500 Curved Escutcheon 2 1/2" x 3 3/4" .....	\$ 279
with E202 Round Metro Escutcheon 3 1/2" .....	\$ 305	with E504 Curved Escutcheon 2 1/2" x 4 1/2" .....	\$ 286
with E204 Square Metro Escutcheon 2 1/4" x 2 1/4" .....	\$ 277	with E501 Oval Escutcheon 2 5/8" x 5 1/4" .....	\$ 291
with E205 Metro Escutcheon 2 1/4" x 3 1/4" .....	\$ 286	with E589 Round Maddox Escutcheon 3 1/8" .....	\$ 341
with E236 Metro Escutcheon 2 1/2" x 4 1/2" .....	\$ 286	with E700 Arched Escutcheon 2 1/2" x 3 3/4" .....	\$ 279
with E300 Stepped Escutcheon 2 1/2" x 3 3/4" .....	\$ 279	with E701 Arched Escutcheon 2 1/2" x 5 1/2" .....	\$ 321
with E400 Rectangular Escutcheon 2 1/2" x 3 3/4" .....	\$ 279		
with E414 Rectangular Escutcheon 2 1/2" x 4 1/2" .....	\$ 286		

\* Requires leather or texture choices.

(See following page for additional options)

- Combinations are shown with E417 Round Escutcheon for illustration purposes only. Refer to Section B for escutcheon styles and specifications.
- Specify escutcheon style, metal, patina, ring size, and leather or texture.

TP4 Tempo Vertical Toilet Paper Holder (Continued)



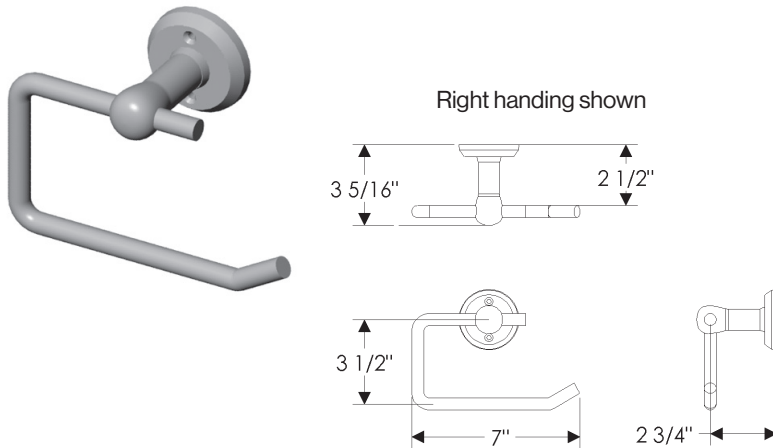
TP4 Tempo Vertical Toilet Paper Holder

with E10155 Oasis Escutcheon 3" x 4 1/4" .....	\$ 286
with E10203 Square Oasis Escutcheon 2 1/2" x 2 1/2" .....	\$ 277
with E10205 Oasis Escutcheon 2 1/2" x 4 1/2" .....	\$ 286
with E10820 Round Briggs Escutcheon 2 1/2" .....	\$ 274
with E10800 Briggs Escutcheon 2 3/8" x 7" .....	\$ 310
with E21005 Mack Escutcheon 2 1/2" x 4 1/2" .....	\$ 286
with E30303 Square Trousdale Escutcheon 3" x 3" .....	\$ 341
with E30403 Hammered Escutcheon 2 1/2" x 4 1/2" .....	\$ 286
with E30503 Convex Escutcheon 2 1/2" x 4 1/2" .....	\$ 385
with E30603 Corbel Arched Escutcheon 2 1/2" x 4 1/2" .....	\$ 385
with E30703 Corbel Rectangular Escutcheon 2 1/2" x 4 1/2" .....	\$ 385

with E30802 Round Bordeaux Escutcheon 2 1/2" .....	\$ 341
with E30803 Round Bordeaux Escutcheon 3 1/4" .....	\$ 341
with E30804 Bordeaux Escutcheon 2 1/2" x 4 1/2" .....	\$ 385
with E30806 Oval Bordeaux Escutcheon 2 1/2" x 5 1/2" .....	\$ 385

- Combinations are shown with E417 Round Escutcheon for illustration purposes only. Refer to Section B for escutcheon styles and specifications.
- Specify escutcheon style, metal, patina, ring size, and leather or texture.

TP5 Horizontal Toilet Paper Holder



TP5 Horizontal Toilet Paper Holder

with E005 Ellis Escutcheon 3" x 5" .....	\$ 458
with E101 Round Designer Escutcheon* 3 1/2" .....	\$ 604
with E103 Square Designer Escutcheon* 3" x 3" .....	\$ 566
with E153 Edge Escutcheon* 2" x 3" .....	\$ 358
with E201 Round Metro Escutcheon 2 1/4" .....	\$ 346
with E202 Round Metro Escutcheon 3 1/2" .....	\$ 378
with E204 Square Metro Escutcheon 2 1/4" x 2 1/4" .....	\$ 349
with E205 Metro Escutcheon 2 1/4" x 3 1/4" .....	\$ 358
with E236 Metro Escutcheon 2 1/2" x 4 1/2" .....	\$ 358
with E300 Stepped Escutcheon 2 1/2" x 3 3/4" .....	\$ 351
with E400 Rectangular Escutcheon 2 1/2" x 3 3/4" .....	\$ 351
with E414 Rectangular Escutcheon 2 1/2" x 4 1/2" .....	\$ 358

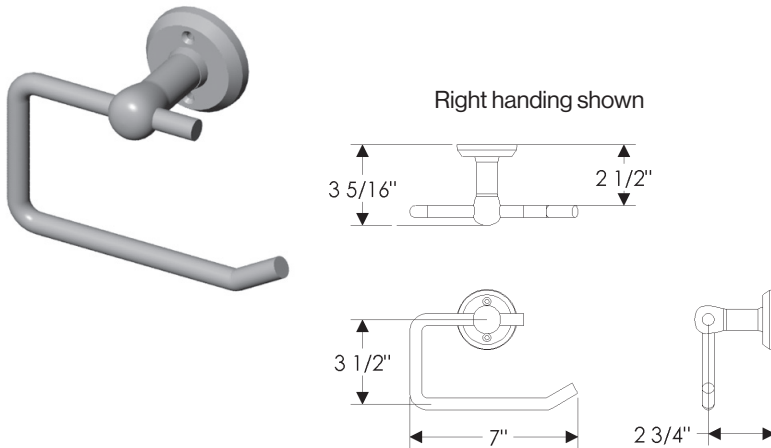
with E415 Diamond Escutcheon 3 9/16" x 3 9/16" .....	\$ 349
with E416 Square Escutcheon 2 5/8" x 2 5/8" .....	\$ 349
with E417 Round Escutcheon 2 1/2" .....	\$ 346
with E418 Round Escutcheon 3 1/4" .....	\$ 360
with E500 Curved Escutcheon 2 1/2" x 3 3/4" .....	\$ 351
with E504 Curved Escutcheon 2 1/2" x 4 1/2" .....	\$ 358
with E501 Oval Escutcheon 2 5/8" x 5 1/4" .....	\$ 363
with E589 Round Maddox Escutcheon 3 1/8" .....	\$ 411
with E700 Arched Escutcheon 2 1/2" x 3 3/4" .....	\$ 351
with E701 Arched Escutcheon 2 1/2" x 5 1/2" .....	\$ 393

\* Requires leather or texture choice.

(See following page for additional options)

- Combinations are shown with E417 Round Escutcheon for illustration purposes only. Refer to Section B for escutcheon styles and specifications.
- Specify escutcheon style, metal, patina, ring size, and leather or texture.

TP5 Horizontal Toilet Paper Holder (Continued)



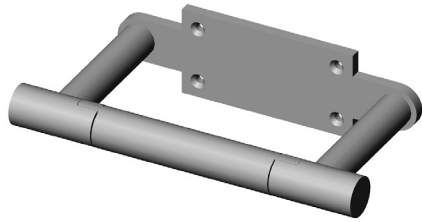
TP5 Horizontal Toilet Paper Holder

with E10155 Oasis Escutcheon	
3" x 4 1/4" .....	\$ 358
with E10203 Square Oasis Escutcheon	
2 1/2" x 2 1/2" .....	\$ 349
with E10205 Oasis Escutcheon	
2 1/2" x 4 1/2" .....	\$ 358
with E10820 Round Briggs Escutcheon	
2 1/2" .....	\$ 346
with E10800 Briggs Escutcheon	
2 3/8" x 7" .....	\$ 381
with E21005 Mack Escutcheon	
2 1/2" x 4 1/2" .....	\$ 358
with E30303 Square Trousdale Escutcheon	
3" x 3" .....	\$ 411
with E30403 Hammered Escutcheon	
2 1/2" x 4 1/2" .....	\$ 358
with E30503 Convex Escutcheon	
2 1/2" x 4 1/2" .....	\$ 458
with E30603 Corbel Arched Escutcheon	
2 1/2" x 4 1/2" .....	\$ 458
with E30703 Corbel Rectangular Escutcheon	
2 1/2" x 4 1/2" .....	\$ 458

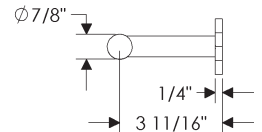
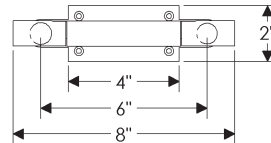
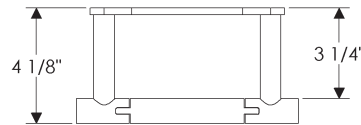
with E30802 Round Bordeaux Escutcheon	
2 1/2" .....	\$ 411
with E30803 Round Bordeaux Escutcheon	
3 1/4" .....	\$ 411
with E30804 Bordeaux Escutcheon	
2 1/2" x 4 1/2" .....	\$ 458
with E30806 Oval Bordeaux Escutcheon	
2 1/2" x 5 1/2" .....	\$ 458

- Specify metal, and patina.

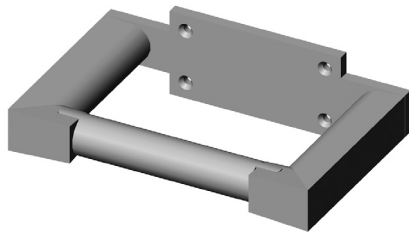
TP6 Tube Toilet Paper Holder



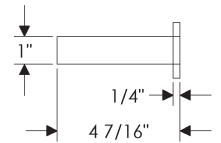
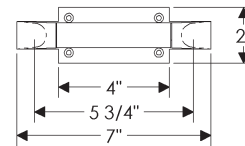
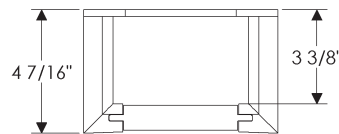
TP6 Tube Toilet Paper Holder ..... \$ 467



TP7 Rail Toilet Paper Holder

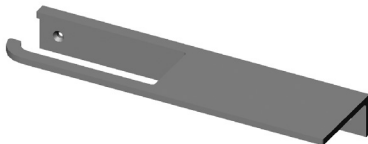


TP7 Rail Toilet Paper Holder..... \$ 438



TP11 Detour Toilet Paper Holder

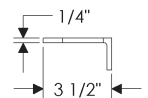
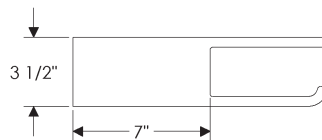
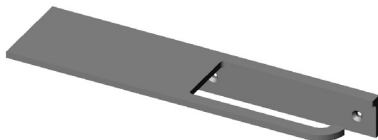
Left Hand Version



TP11 Detour Toilet Paper Holder ..... \$ 583

\*Specify right or left hand.

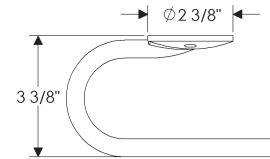
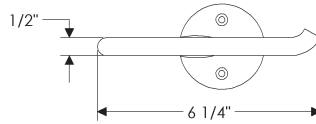
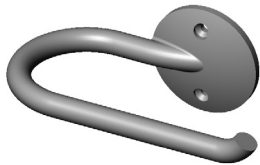
Right Hand Version



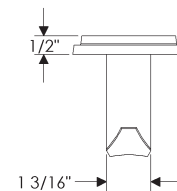
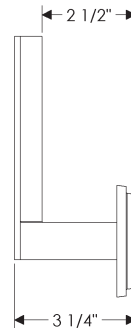
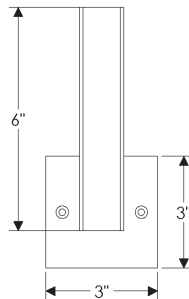
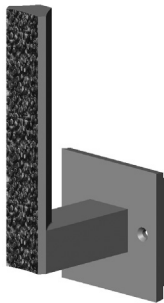
- Specify escutcheon style, metal, patina, or texture.

TP605 Cirque Toilet Paper Holder, *CIRQUE COLLECTION*

TP605 Cirque Toilet Paper Holder ..... \$ 346



TP30310 Trousdale Vertical Toilet Paper Holder, *KRAVITZ DESIGN COLLECTION*



TP30310 Trousdale Vertical Toilet Paper Holder

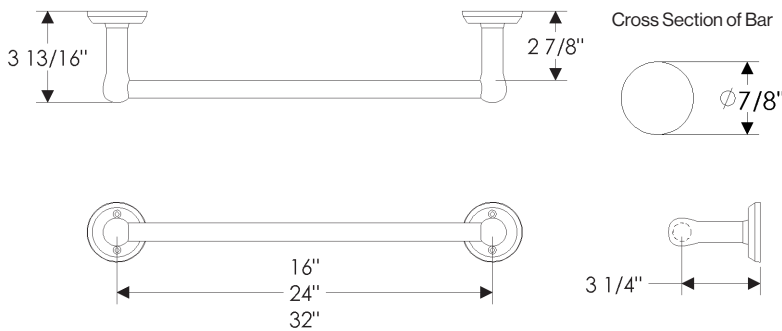
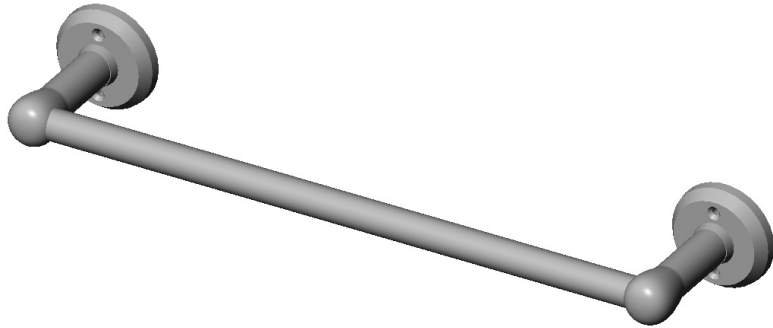
- with NO Escutcheon ..... \$ 608
- with IP014 Ellis Escutcheon  
3" x 3 3/4" ..... \$ 709
- with IP150 Edge Escutcheon\*  
2" x 3" ..... \$ 696
- with IP214 Metro Escutcheon  
2 1/4" x 3 1/4" ..... \$ 696
- with IP250 Metro Escutcheon  
2 1/2" x 3 1/4" ..... \$ 696
- with IP318 Stepped Escutcheon  
2 1/2" x 3" ..... \$ 696
- with IP415 Diamond Escutcheon  
3 9/16" x 3 9/16" ..... \$ 696
- with IP418 Rectangular Escutcheon  
2 1/2" x 3" ..... \$ 696
- with IP417 Round Escutcheon  
2 5/8" ..... \$ 696
- with IP512 Curved Escutcheon  
2 1/2" x 3 3/8" ..... \$ 696

- with IP716 Arched Escutcheon  
2 1/2" x 3 3/4" ..... \$ 696
- with IP10800 Briggs Escutcheon  
2 1/2" x 5 1/8" ..... \$ 724
- with IP21014 Mack Escutcheon  
2 1/2" x 3 1/2" ..... \$ 696
- with IP30390 Square Trousdale Escutcheon  
3" x 3" ..... \$ 709
- with IP30490 Hammered Escutcheon  
2 1/2" x 3 1/4" ..... \$ 709
- with IP30590 Convex Escutcheon  
2 1/2" x 3 1/4" ..... \$ 709
- with IP30690 Corbel Arched Escutcheon  
2 1/2" x 4 1/2" ..... \$ 709
- with IP30790 Corbel Rectangular Escutcheon  
2 1/2" x 4" ..... \$ 709
- with IP30890 Bordeaux Escutcheon  
2 1/2" x 3 1/4" ..... \$ 709

\* Requires leather or texture choice.

- Combinations are shown with E417 Round Escutcheon for illustration purposes only. Refer to Section B for escutcheon styles and specifications.
- Specify escutcheon style, metal, patina, ring size, and leather or texture.

TB Towel Bar



TB Towel Bar

with E005 Ellis Escutcheon

3" x 5"	
16"	\$ 718
24"	\$ 773
32"	\$ 830

with E101 Round Designer Escutcheon\*

3 1/2"	
16"	\$ 1,010
24"	\$ 1,065
32"	\$ 1,122

with E103 Square Designer Escutcheon\*

3" x 3"	
16"	\$ 937
24"	\$ 992
32"	\$ 1,048

with E153 Edge Escutcheon\*

2" x 3"	
16"	\$ 517
24"	\$ 572
32"	\$ 629

with E201 Round Metro Escutcheon

2 1/4"	
16"	\$ 497
24"	\$ 553
32"	\$ 609

with E202 Round Metro Escutcheon

3 1/2"	
16"	\$ 557
24"	\$ 613
32"	\$ 670

with E204 Square Metro Escutcheon

2 1/4" x 2 1/4"	
16"	\$ 502
24"	\$ 556
32"	\$ 612

with E205 Metro Escutcheon

2 1/4" x 3 1/4"	
16"	\$ 517
24"	\$ 572
32"	\$ 629

with E236 Metro Escutcheon

2 1/2" x 4 1/2"	
16"	\$ 517
24"	\$ 572
32"	\$ 629

with E300 Stepped Escutcheon

2 1/2" x 3 3/4"	
16"	\$ 506
24"	\$ 564
32"	\$ 620

with E400 Rectangular Escutcheon

2 1/2" x 3 3/4"	
16"	\$ 506
24"	\$ 564
32"	\$ 620

with E414 Rectangular Escutcheon

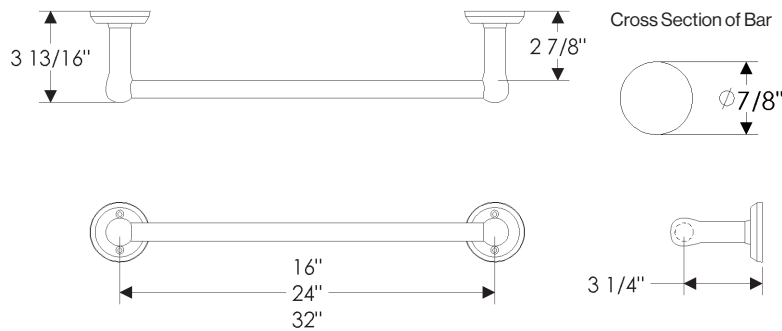
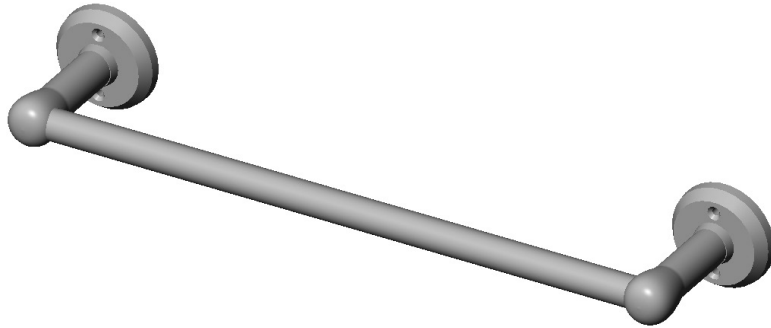
2 1/2" x 4 1/2"	
16"	\$ 517
24"	\$ 572
32"	\$ 629

\* Requires leather or texture choice.

(See following page for additional options)

- Combinations are shown with E417 Round Escutcheon for illustration purposes only. Refer to Section B for escutcheon styles and specifications.
- Specify escutcheon style, metal, patina, ring size, and leather or texture.

TB Towel Bar (Continued)



TB Towel Bar

with E415 Diamond Escutcheon  
3 9/16" x 3 9/16"

16" .....	\$ 502
24" .....	\$ 556
32" .....	\$ 612

with E416 Square Escutcheon  
2 5/8" x 2 5/8"

16" .....	\$ 502
24" .....	\$ 556
32" .....	\$ 612

with E417 Round Escutcheon  
2 1/2"

16" .....	\$ 497
24" .....	\$ 553
32" .....	\$ 609

with E418 Round Escutcheon  
3 1/4"

16" .....	\$ 526
24" .....	\$ 581
32" .....	\$ 637

with E500 Curved Escutcheon

2 1/2" x 3 3/4"	
16" .....	\$ 506
24" .....	\$ 564
32" .....	\$ 620

with E504 Curved Escutcheon

2 1/2" x 4 1/2"	
16" .....	\$ 470
24" .....	\$ 572
32" .....	\$ 629

with E501 Oval Escutcheon

2 5/8" x 5 1/4"	
16" .....	\$ 531
24" .....	\$ 586
32" .....	\$ 642

with E589 Round Maddox Escutcheon

3 1/8"	
16" .....	\$ 626
24" .....	\$ 684
32" .....	\$ 739

with E700 Arched Escutcheon

2 1/2" x 3 3/4"	
16" .....	\$ 506
24" .....	\$ 564
32" .....	\$ 620

with E701 Arched Escutcheon

2 1/2" x 5 1/2"	
16" .....	\$ 591
24" .....	\$ 646
32" .....	\$ 701

with E10155 Oasis Escutcheon

3" x 4 1/4"	
16" .....	\$ 517
24" .....	\$ 572
32" .....	\$ 629

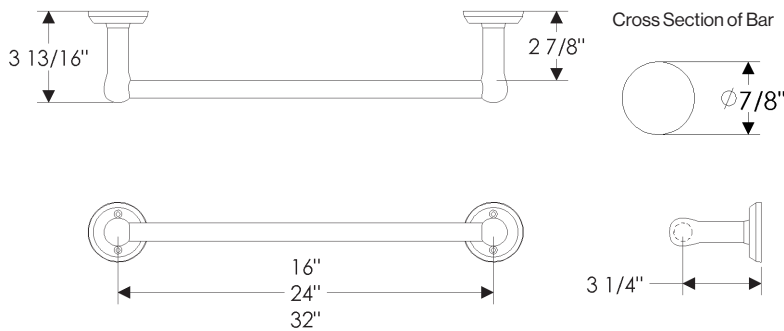
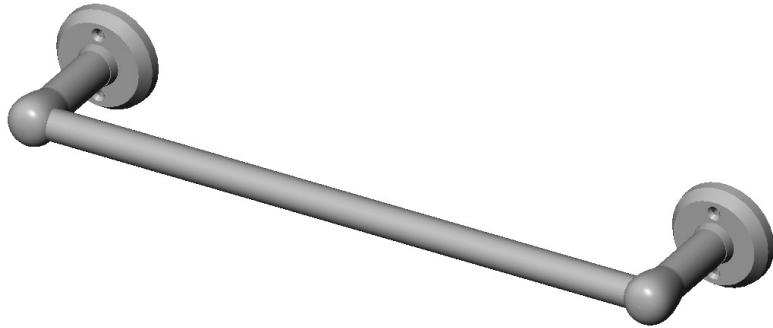
with E10203 Square Oasis Escutcheon

2 1/2" x 2 1/2"	
16" .....	\$ 502
24" .....	\$ 556
32" .....	\$ 612

(See following page for additional options)

- Combinations are shown with E417 Round Escutcheon for illustration purposes only. Refer to Section B for escutcheon styles and specifications.
- Specify escutcheon style, metal, patina, ring size, and leather or texture.

TB Towel Bar (Continued)



TB Towel Bar

with E10205 Oasis Escutcheon  
2 1/2" x 4 1/2"

16" .....	\$ 517
24" .....	\$ 572
32" .....	\$ 629

with E10820 Round Briggs Escutcheon  
2 1/2"

16" .....	\$ 497
24" .....	\$ 553
32" .....	\$ 609

with E10800 Briggs Escutcheon  
2 3/8" x 7"

16" .....	\$ 567
24" .....	\$ 623
32" .....	\$ 678

with E21005 Mack Escutcheon  
2 1/2" x 4 1/2"

16" .....	\$ 517
24" .....	\$ 572
32" .....	\$ 629

with E30303 Square Trousdale Escutcheon  
3" x 3"

16" .....	\$ 626
24" .....	\$ 684
32" .....	\$ 739

with E30403 Hammered Escutcheon  
2 1/2" x 4 1/2"

16" .....	\$ 517
24" .....	\$ 572
32" .....	\$ 629

with E30503 Convex Escutcheon  
2 1/2" x 4 1/2"

16" .....	\$ 718
24" .....	\$ 773
32" .....	\$ 830

with E30603 Corbel Arched Escutcheon  
2 1/2" x 4 1/2"

16" .....	\$ 718
24" .....	\$ 773
32" .....	\$ 830

with E30703 Corbel Rectangular Escutcheon  
2 1/2" x 4 1/2"

16" .....	\$ 718
24" .....	\$ 773
32" .....	\$ 830

with E30802 Round Bordeaux Escutcheon  
2 1/2"

16" .....	\$ 626
24" .....	\$ 684
32" .....	\$ 739

with E30803 Round Bordeaux Escutcheon  
3 1/4"

16" .....	\$ 626
24" .....	\$ 684
32" .....	\$ 739

with E30804 Bordeaux Escutcheon  
2 1/2" x 4 1/2"

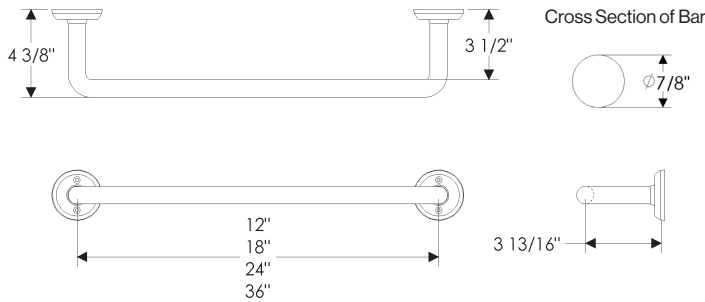
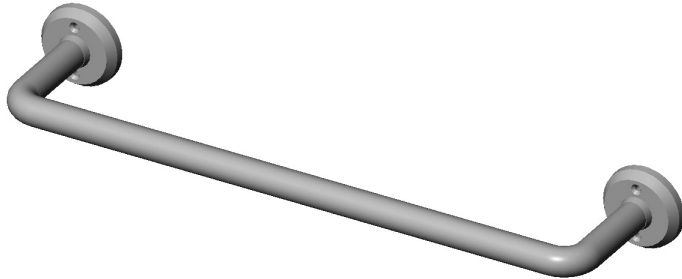
16" .....	\$ 718
24" .....	\$ 773
32" .....	\$ 830

with E30806 Oval Bordeaux Escutcheon  
2 1/2" x 5 1/2"

16" .....	\$ 718
24" .....	\$ 773
32" .....	\$ 830

- Combinations are shown with E417 Round Escutcheon for illustration purposes only. Refer to Section B for escutcheon styles and specifications.
- Specify escutcheon style, metal, patina, ring size, and leather or texture.

TB2 Continuous Towel Bar



TB2 Continuous Towel Bar

with E005 Ellis Escutcheon

3" x 5"	
12" .....	\$ 786
18" .....	\$ 820
24" .....	\$ 886
36" .....	\$ 967

with E101 Round Designer Escutcheon\*

3 1/2"	
12" .....	\$ 1,003
18" .....	\$ 1,036
24" .....	\$ 1,100
36" .....	\$ 1,183

with E103 Square Designer Escutcheon\*

3" x 3"	
12" .....	\$ 1,003
18" .....	\$ 1,036
24" .....	\$ 1,100
36" .....	\$ 1,183

with E153 Edge Escutcheon\*

2" x 3"	
12" .....	\$ 433
18" .....	\$ 466
24" .....	\$ 531
36" .....	\$ 613

with E201 Round Metro Escutcheon

2 1/4"	
12" .....	\$ 433
18" .....	\$ 466
24" .....	\$ 531
36" .....	\$ 613

with E202 Round Metro Escutcheon

3 1/2"	
12" .....	\$ 433
18" .....	\$ 466
24" .....	\$ 531
36" .....	\$ 613

with E204 Square Metro Escutcheon

2 1/4" x 2 1/4"	
12" .....	\$ 409
18" .....	\$ 443
24" .....	\$ 506
36" .....	\$ 590

with E205 Metro Escutcheon

2 1/4" x 3 1/4"	
12" .....	\$ 433
18" .....	\$ 466
24" .....	\$ 531
36" .....	\$ 613

with E236 Metro Escutcheon

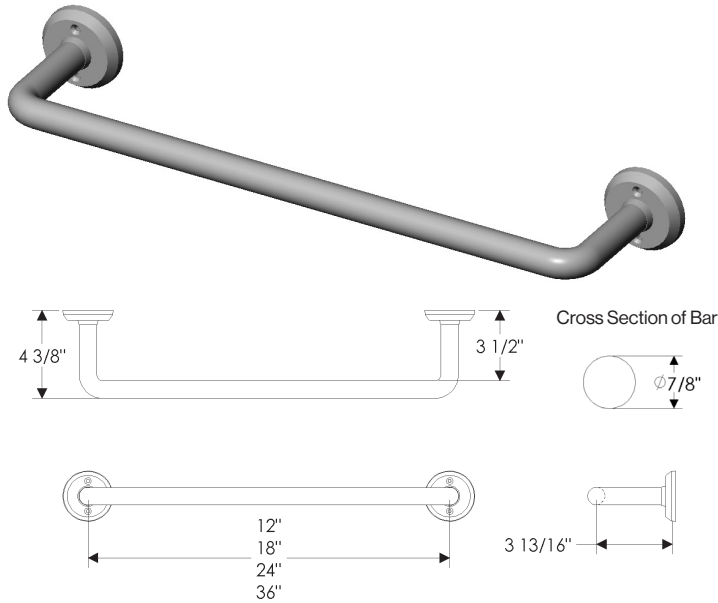
2 1/2" x 4 1/2"	
12" .....	\$ 433
18" .....	\$ 466
24" .....	\$ 531
36" .....	\$ 613

\* Requires leather or texture choice.

(See following page for additional options)

- Combinations are shown with E417 Round Escutcheon for illustration purposes only. Refer to Section B for escutcheon styles and specifications.
- Specify escutcheon style, metal, patina, ring size, and leather or texture.

TB2 Continuous Towel Bar (Continued)



TB2 Continuous Towel Bar

with E300 Stepped Escutcheon

2 1/2" x 3 3/4"

12" .....	\$ 409
18" .....	\$ 443
24" .....	\$ 506
36" .....	\$ 590

with E400 Rectangular Escutcheon

2 1/2" x 3 3/4"

12" .....	\$ 409
18" .....	\$ 443
24" .....	\$ 506
36" .....	\$ 590

with E414 Rectangular Escutcheon

2 1/2" x 4 1/2"

12" .....	\$ 433
18" .....	\$ 466
24" .....	\$ 531
36" .....	\$ 613

with E415 Diamond Escutcheon

3 9/16" x 3 9/16"

12" .....	\$ 409
18" .....	\$ 443
24" .....	\$ 506
36" .....	\$ 590

with E416 Square Escutcheon

2 5/8" x 2 5/8"

12" .....	\$ 409
18" .....	\$ 443
24" .....	\$ 506
36" .....	\$ 590

with E417 Round Escutcheon

2 1/2"

12" .....	\$ 409
18" .....	\$ 443
24" .....	\$ 506
36" .....	\$ 590

with E418 Round Escutcheon

3 1/4"

12" .....	\$ 433
18" .....	\$ 466
24" .....	\$ 531
36" .....	\$ 613

with E500 Curved Escutcheon

2 1/2" x 3 3/4"

12" .....	\$ 409
18" .....	\$ 443
24" .....	\$ 506
36" .....	\$ 590

with E504 Curved Escutcheon

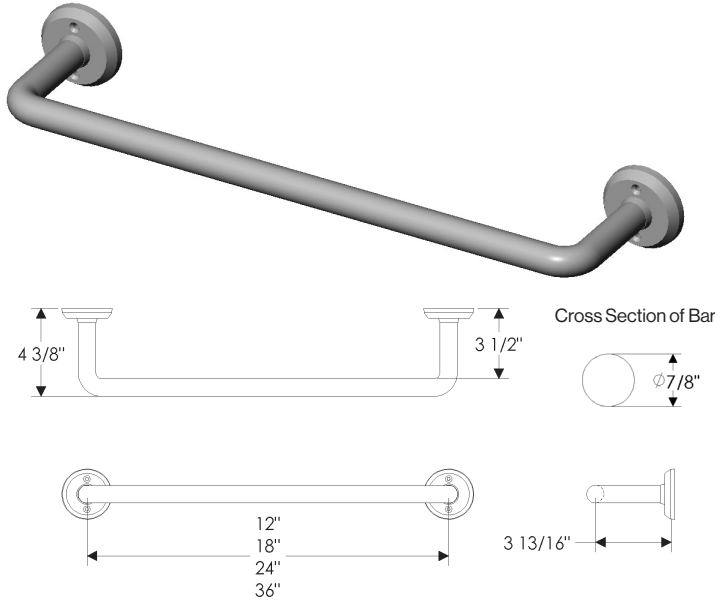
2 1/2" x 4 1/2"

12" .....	\$ 433
18" .....	\$ 466
24" .....	\$ 531
36" .....	\$ 613

(See following page for additional options)

- Combinations are shown with E417 Round Escutcheon for illustration purposes only. Refer to Section B for escutcheon styles and specifications.
- Specify escutcheon style, metal, patina, ring size, and leather or texture.

TB2 Continuous Towel Bar (Continued)



TB2 Continuous Towel Bar

with E501 Oval Escutcheon  
2 5/8" x 5 1/4"

12" .....	\$ 433
18" .....	\$ 466
24" .....	\$ 531
36" .....	\$ 613

with E589 Round Maddox Escutcheon  
3 1/8"

12" .....	\$ 657
18" .....	\$ 689
24" .....	\$ 755
36" .....	\$ 838

with E700 Arched Escutcheon  
2 1/2" x 3 3/4"

12" .....	\$ 409
18" .....	\$ 443
24" .....	\$ 506
36" .....	\$ 590

with E701 Arched Escutcheon  
2 1/2" x 5 1/2"

12" .....	\$ 491
18" .....	\$ 525
24" .....	\$ 590
36" .....	\$ 673

with E10155 Oasis Escutcheon

3" x 4 1/4"

12" .....	\$ 433
18" .....	\$ 466
24" .....	\$ 531
36" .....	\$ 613

with E10203 Square Oasis Escutcheon

2 1/2" x 2 1/2"

12" .....	\$ 409
18" .....	\$ 443
24" .....	\$ 506
36" .....	\$ 590

with E10205 Oasis Escutcheon

2 1/2" x 4 1/2"

12" .....	\$ 433
18" .....	\$ 466
24" .....	\$ 531
36" .....	\$ 613

with E10820 Round Briggs Escutcheon

2 1/2"

12" .....	\$ 409
18" .....	\$ 443
24" .....	\$ 506
36" .....	\$ 590

with E10800 Briggs Escutcheon

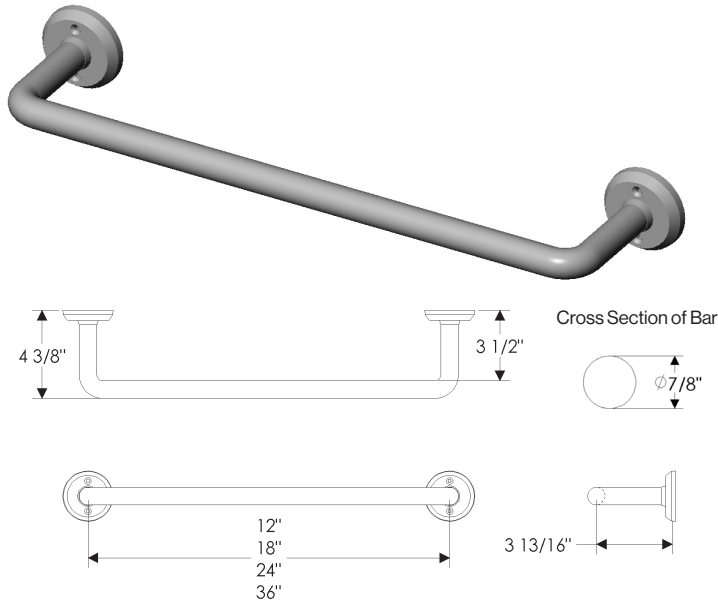
2 3/8" x 7"

12" .....	\$ 520
18" .....	\$ 554
24" .....	\$ 620
36" .....	\$ 701

(See following page for additional options)

- Combinations are shown with E417 Round Escutcheon for illustration purposes only. Refer to Section B for escutcheon styles and specifications.
- Specify escutcheon style, metal, patina, ring size, and leather or texture.

TB2 Continuous Towel Bar (Continued)



TB2 Continuous Towel Bar

with E21005 Mack Escutcheon  
2 1/2" x 4 1/2"

12" .....	\$ 433
18" .....	\$ 466
24" .....	\$ 531
36" .....	\$ 613

with E30303 Square Trousdale Escutcheon  
3" x 3"

12" .....	\$ 657
18" .....	\$ 689
24" .....	\$ 755
36" .....	\$ 838

with E30403 Hammered Escutcheon  
2 1/2" x 4 1/2"

12" .....	\$ 433
18" .....	\$ 466
24" .....	\$ 531
36" .....	\$ 613

with E30503 Convex Escutcheon  
2 1/2" x 4 1/2"

12" .....	\$ 786
18" .....	\$ 820
24" .....	\$ 886
36" .....	\$ 967

with E30603 Corbel Arched Escutcheon  
2 1/2" x 4 1/2"

12" .....	\$ 786
18" .....	\$ 820
24" .....	\$ 886
36" .....	\$ 967

with E30703 Corbel Rectangular Escutcheon  
2 1/2" x 4 1/2"

12" .....	\$ 786
18" .....	\$ 820
24" .....	\$ 886
36" .....	\$ 967

with E30802 Round Bordeaux Escutcheon  
2 1/2"

12" .....	\$ 657
18" .....	\$ 689
24" .....	\$ 755
36" .....	\$ 838

with E30803 Round Bordeaux Escutcheon  
3 1/4"

12" .....	\$ 657
18" .....	\$ 689
24" .....	\$ 755
36" .....	\$ 838

with E30804 Bordeaux Escutcheon  
2 1/2" x 4 1/2"

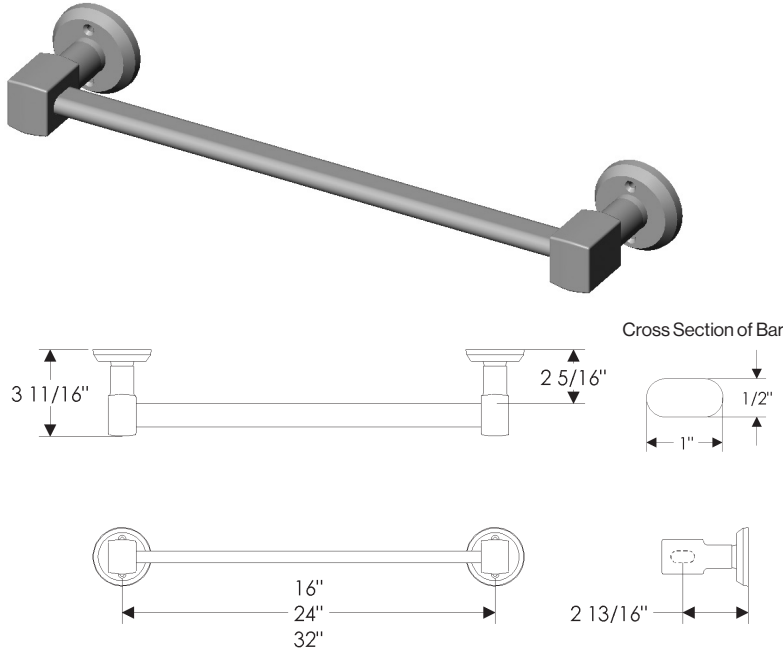
12" .....	\$ 786
18" .....	\$ 820
24" .....	\$ 886
36" .....	\$ 967

with E30806 Oval Bordeaux Escutcheon  
2 1/2" x 5 1/2"

12" .....	\$ 786
18" .....	\$ 820
24" .....	\$ 886
36" .....	\$ 967

- Combinations are shown with E417 Round Escutcheon for illustration purposes only. Refer to Section B for escutcheon styles and specifications.
- Specify escutcheon style, metal, patina, ring size, and leather or texture.

TB3 Tempo Towel Bar



TB3 Tempo Towel Bar

with E005 Ellis Escutcheon

3" x 5"

16"	\$ 733
24"	\$ 790
32"	\$ 845

with E101 Round Designer Escutcheon\*

3 1/2"

16"	\$ 1,026
24"	\$ 1,083
32"	\$ 1,138

with E103 Square Designer Escutcheon\*

3" x 3"

16"	\$ 952
24"	\$ 1,008
32"	\$ 1,063

with E153 Edge Escutcheon\*

2" x 3"

16"	\$ 533
24"	\$ 590
32"	\$ 645

with E201 Round Metro Escutcheon

2 1/4"

16"	\$ 512
24"	\$ 567
32"	\$ 623

with E202 Round Metro Escutcheon

3 1/2"

16"	\$ 572
24"	\$ 629
32"	\$ 685

with E204 Square Metro Escutcheon

2 1/4" x 2 1/4"

16"	\$ 516
24"	\$ 572
32"	\$ 629

with E205 Metro Escutcheon

2 1/4" x 3 1/4"

16"	\$ 533
24"	\$ 590
32"	\$ 645

with E236 Metro Escutcheon

2 1/2" x 4 1/2"

16"	\$ 533
24"	\$ 590
32"	\$ 645

with E300 Stepped Escutcheon

2 1/2" x 3 3/4"

16"	\$ 524
24"	\$ 579
32"	\$ 635

with E400 Rectangular Escutcheon

2 1/2" x 3 3/4"

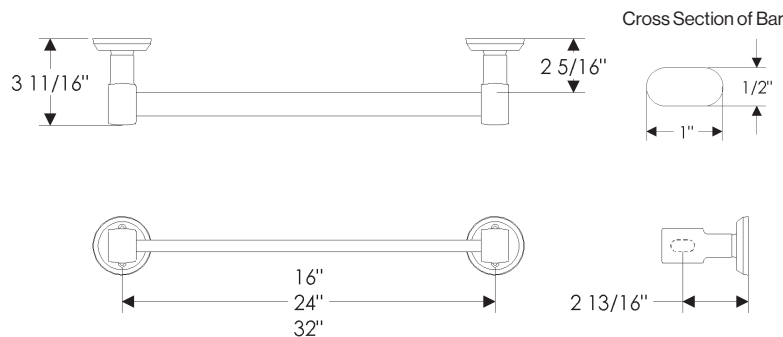
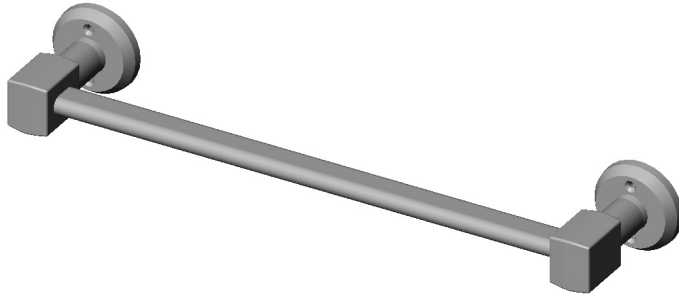
16"	\$ 524
24"	\$ 579
32"	\$ 635

\* Requires leather or texture choice.

(See following page for additional options)

- Combinations are shown with E417 Round Escutcheon for illustration purposes only. Refer to Section B for escutcheon styles and specifications.
- Specify escutcheon style, metal, patina, ring size, and leather or texture.

TB3 Tempo Towel Bar (Continued)



TB3 Tempo Towel Bar

with E414 Rectangular Escutcheon	
2 1/2" x 4 1/2"	
16" .....	\$ 533
24" .....	\$ 590
32" .....	\$ 645
with E415 Diamond Escutcheon	
3 9/16" x 3 9/16"	
16" .....	\$ 516
24" .....	\$ 572
32" .....	\$ 629
with E416 Square Escutcheon	
2 5/8" x 2 5/8"	
16" .....	\$ 516
24" .....	\$ 572
32" .....	\$ 629
with E417 Round Escutcheon	
2 1/2"	
16" .....	\$ 512
24" .....	\$ 567
32" .....	\$ 623

with E418 Round Escutcheon	
3 1/4"	
16" .....	\$ 542
24" .....	\$ 597
32" .....	\$ 653

with E500 Curved Escutcheon	
2 1/2" x 3 3/4"	
16" .....	\$ 524
24" .....	\$ 579
32" .....	\$ 635

with E504 Curved Escutcheon	
2 1/2" x 4 1/2"	
16" .....	\$ 533
24" .....	\$ 590
32" .....	\$ 645

with E501 Oval Escutcheon	
2 5/8" x 5 1/4"	
16" .....	\$ 545
24" .....	\$ 600
32" .....	\$ 657

with E589 Round Maddox Escutcheon	
3 1/8"	
16" .....	\$ 644
24" .....	\$ 699
32" .....	\$ 755

with E700 Arched Escutcheon	
2 1/2" x 3 3/4"	
16" .....	\$ 524
24" .....	\$ 579
32" .....	\$ 635

with E701 Arched Escutcheon	
2 1/2" x 5 1/2"	
16" .....	\$ 605
24" .....	\$ 660
32" .....	\$ 717

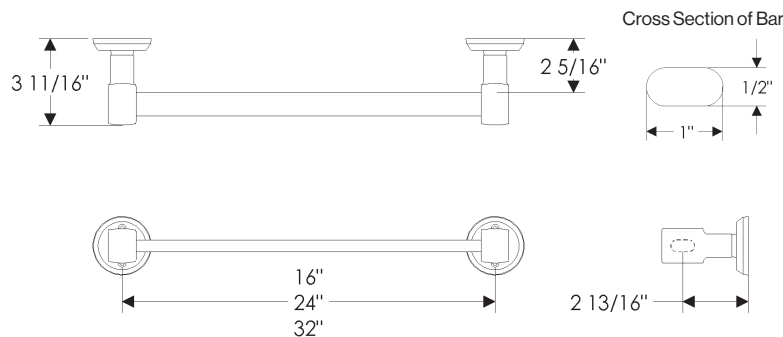
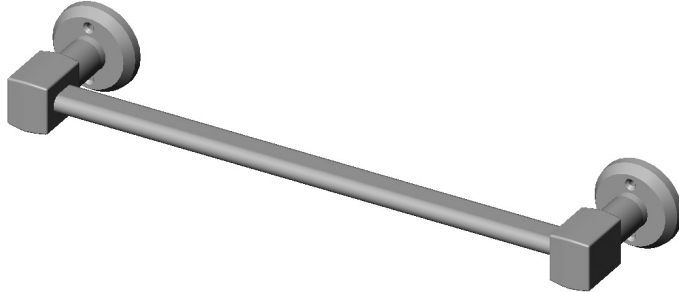
with E10155 Oasis Escutcheon	
3" x 4 1/4"	
16" .....	\$ 533
24" .....	\$ 590
32" .....	\$ 645

with E10203 Square Oasis Escutcheon	
2 1/2" x 2 1/2"	
16" .....	\$ 516
24" .....	\$ 572
32" .....	\$ 629

(See following page for additional options)

- Combinations are shown with E417 Round Escutcheon for illustration purposes only. Refer to Section B for escutcheon styles and specifications.
- Specify escutcheon style, metal, patina, ring size, and leather or texture.

TB3 Tempo Towel Bar (Continued)



TB3 Tempo Towel Bar

with E10205 Oasis Escutcheon  
2 1/2" x 4 1/2"

16" .....	\$ 533
24" .....	\$ 590
32" .....	\$ 645

with E10820 Round Briggs Escutcheon  
2 1/2"

16" .....	\$ 512
24" .....	\$ 567
32" .....	\$ 623

with E10800 Briggs Escutcheon  
2 3/8" x 7"

16" .....	\$ 581
24" .....	\$ 671
32" .....	\$ 726

with E21005 Mack Escutcheon  
2 1/2" x 4 1/2"

16" .....	\$ 533
24" .....	\$ 590
32" .....	\$ 645

with E30303 Square Trousdale Escutcheon  
3" x 3"

16" .....	\$ 644
24" .....	\$ 699
32" .....	\$ 755

with E30403 Hammered Escutcheon  
2 1/2" x 4 1/2"

16" .....	\$ 533
24" .....	\$ 590
32" .....	\$ 645

with E30503 Convex Escutcheon  
2 1/2" x 4 1/2"

16" .....	\$ 733
24" .....	\$ 790
32" .....	\$ 845

with E30603 Corbel Arched Escutcheon  
2 1/2" x 4 1/2"

16" .....	\$ 733
24" .....	\$ 790
32" .....	\$ 845

with E30703 Corbel Rectangular Escutcheon  
2 1/2" x 4 1/2"

16" .....	\$ 733
24" .....	\$ 790
32" .....	\$ 845

with E30802 Round Bordeaux Escutcheon  
2 1/2"

16" .....	\$ 644
24" .....	\$ 699
32" .....	\$ 755

with E30803 Round Bordeaux Escutcheon  
3 1/4"

16" .....	\$ 644
24" .....	\$ 699
32" .....	\$ 755

with E30804 Bordeaux Escutcheon  
2 1/2" x 4 1/2"

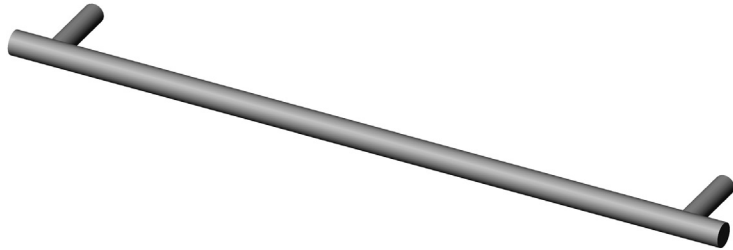
16" .....	\$ 733
24" .....	\$ 790
32" .....	\$ 845

with E30806 Oval Bordeaux Escutcheon  
2 1/2" x 5 1/2"

16" .....	\$ 733
24" .....	\$ 790
32" .....	\$ 845

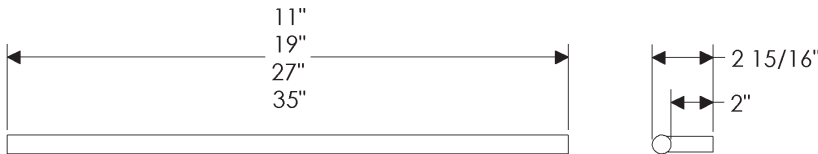
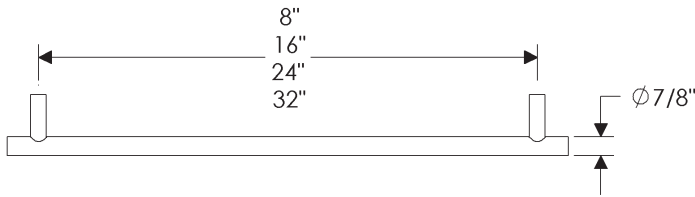
- Specify metal, patina, and bar length.

TB4 Tube Towel Bar



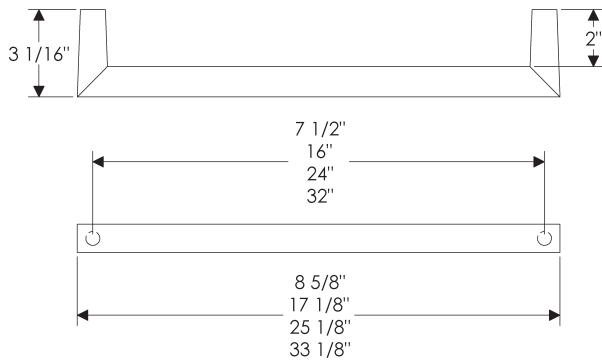
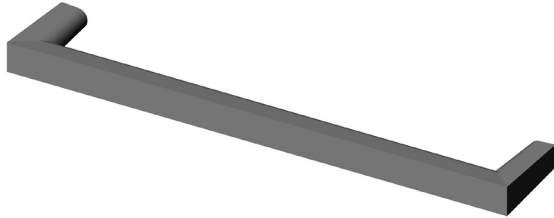
TB4 Tube Towel Bars

8" .....	\$ 533
16" .....	\$ 574
24" .....	\$ 730
32" .....	\$ 862



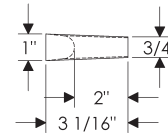
- Specify metal, patina, and bar length.

TB5 Rail Towel Bar

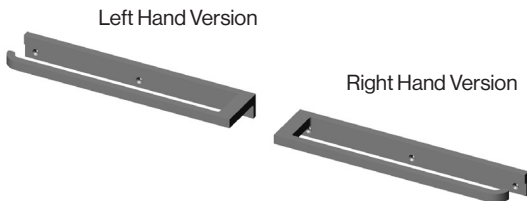


TB5 Rail Towel Bars

7 1/2" .....	\$ 533
16" .....	\$ 574
24" .....	\$ 730
32" .....	\$ 862



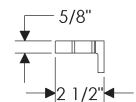
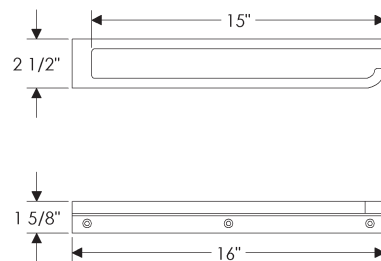
TB6 Detour Single Towel Bar



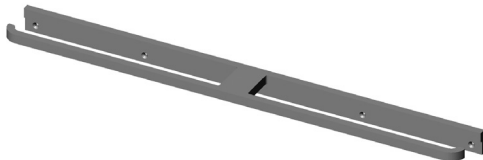
TB6 Detour Single Towel Bar

16" .....	\$ 462
-----------	--------

\*Specify right or left hand.

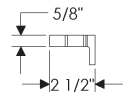
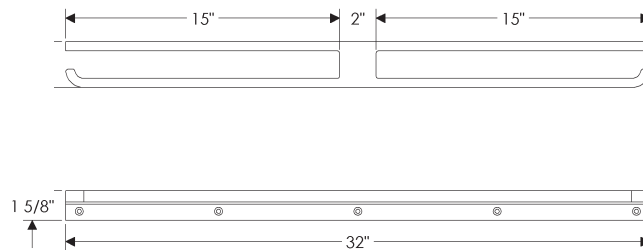


TB7 Detour Double Towel Bar



TB7 Detour Double Towel Bar

32" .....	\$ 902
-----------	--------

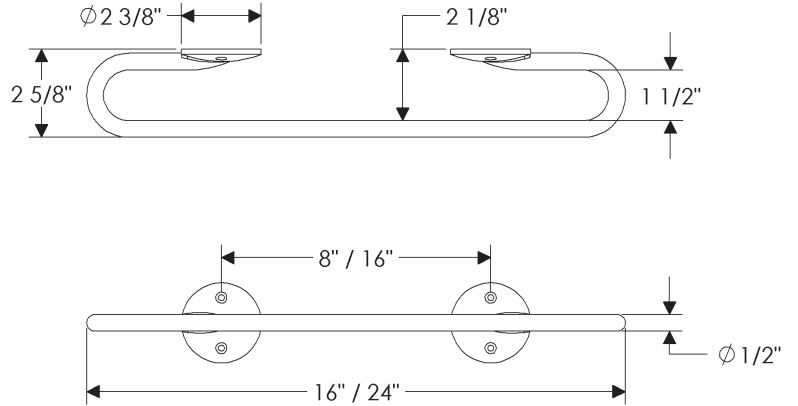
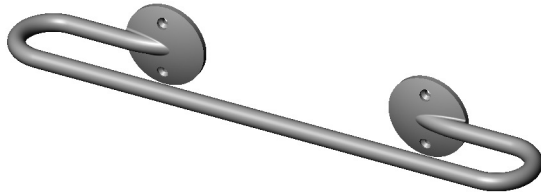


- Specify metal, patina, and bar length.

Cirque Towel Bar

TB616, TB624 Cirque Towel Bars

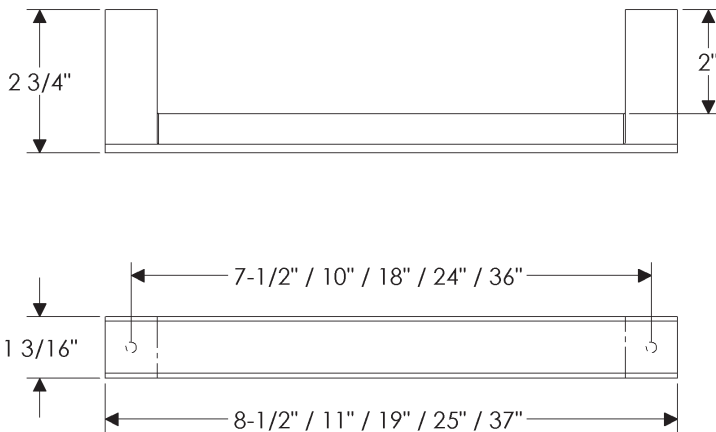
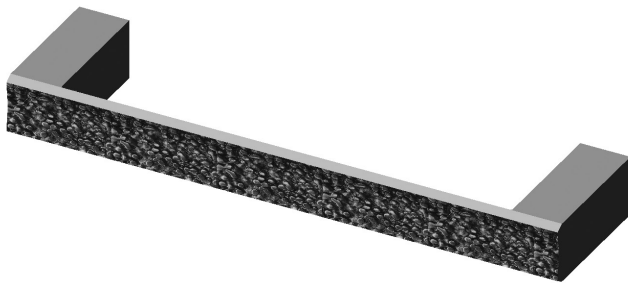
16" .....	\$ 466
24" .....	\$ 531



TB30300 Trousdale Towel Bar, *KRAVITZ DESIGN COLLECTION*

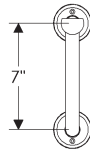
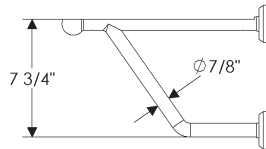
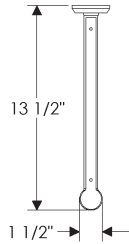
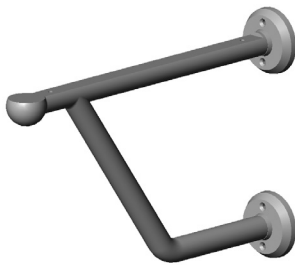
TB30300 Trousdale Towel Bars

7 1/2" .....	\$ 533
10" .....	\$ 533
12" .....	\$ 533
18" .....	\$ 572
24" .....	\$ 785
36" .....	\$ 862



- Combinations are shown with E417 Round Escutcheon for illustration purposes only. Refer to Section B for escutcheon styles and specifications.
- Specify escutcheon style, metal, patina, ring size, and leather or texture.

SHB Shelf Bracket



SHB Shelf Bracket

with E005 Ellis Escutcheon	
3" x 5" .....	\$ 1,138
with E101 Round Designer Escutcheon*	
3 1/2" .....	\$ 1,725
with E103 Square Designer Escutcheon*	
3" x 3" .....	\$ 1,576
with E153 Edge Escutcheon*	
2" x 3" .....	\$ 636
with E201 Round Metro Escutcheon	
2 1/4" .....	\$ 613
with E202 Round Metro Escutcheon	
3 1/2" .....	\$ 675
with E204 Square Metro Escutcheon	
2 1/4" x 2 1/4" .....	\$ 620
with E205 Metro Escutcheon	
2 1/4" x 3 1/4" .....	\$ 636
with E236 Metro Escutcheon	
2 1/2" x 4 1/2" .....	\$ 636
with E300 Stepped Escutcheon	
2 1/2" x 3 3/4" .....	\$ 625
with E400 Rectangular Escutcheon	
2 1/2" x 3 3/4" .....	\$ 625
with E414 Rectangular Escutcheon	
2 1/2" x 4 1/2" .....	\$ 636

with E415 Diamond Escutcheon	
3 9/16" x 3 9/16" .....	\$ 620
with E416 Square Escutcheon	
2 5/8" x 2 5/8" .....	\$ 620
with E417 Round Escutcheon	
2 1/2" .....	\$ 613
with E418 Round Escutcheon	
3 1/4" .....	\$ 644
with E500 Curved Escutcheon	
2 1/2" x 3 3/4" .....	\$ 625
with E504 Curved Escutcheon	
2 1/2" x 4 1/2" .....	\$ 636
with E501 Oval Escutcheon	
2 5/8" x 5 1/4" .....	\$ 648
with E589 Round Maddox Escutcheon	
3 1/8" .....	\$ 956
with E700 Arched Escutcheon	
2 1/2" x 3 3/4" .....	\$ 625
with E701 Arched Escutcheon	
2 1/2" x 5 1/2" .....	\$ 709

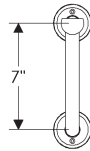
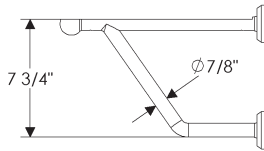
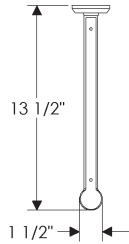
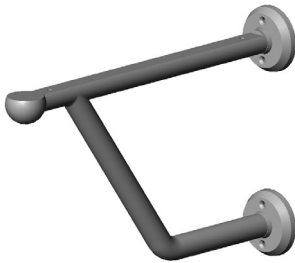
• Price includes one shelf bracket, two escutcheons, and four wood screws for mounting.

\* Requires leather or texture choice.

(See following page for additional options)

- Combinations are shown with E417 Round Escutcheon for illustration purposes only. Refer to Section B for escutcheon styles and specifications.
- Specify escutcheon style, metal, patina, ring size, and leather or texture.

SHB Shelf Bracket (Continued)



SHB Shelf Bracket

with E10155 Oasis Escutcheon 3" x 4 1/4" .....	\$ 636
with E10203 Square Oasis Escutcheon 2 1/2" x 2 1/2" .....	\$ 620
with E10205 Oasis Escutcheon 2 1/2" x 4 1/2" .....	\$ 636
with E10820 Round Briggs Escutcheon 2 1/2" .....	\$ 613
with E21005 Mack Escutcheon 2 1/2" x 4 1/2" .....	\$ 636
with E30303 Square Trousdale Escutcheon 3" x 3" .....	\$ 956
with E30403 Hammered Escutcheon 2 1/2" x 4 1/2" .....	\$ 636
with E30503 Convex Escutcheon 2 1/2" x 4 1/2" .....	\$ 1,138
with E30603 Corbel Arched Escutcheon 2 1/2" x 4 1/2" .....	\$ 1,138
with E30703 Corbel Rectangular Escutcheon 2 1/2" x 4 1/2" .....	\$ 1,138

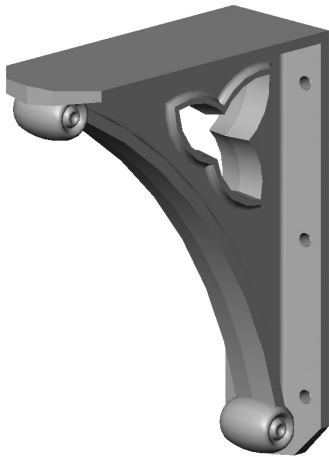
with E30802 Round Bordeaux Escutcheon 2 1/2" .....	\$ 956
with E30803 Round Bordeaux Escutcheon 3 1/4" .....	\$ 956
with E30806 Oval Bordeaux Escutcheon 2 1/2" x 5 1/2" .....	\$ 1,138
with E30804 Bordeaux Escutcheon 2 1/2" x 4 1/2" .....	\$ 1,138

• Price includes one shelf bracket, two escutcheons, and four wood screws for mounting.

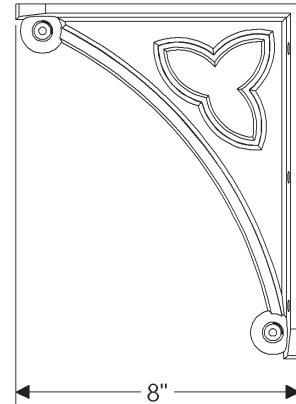
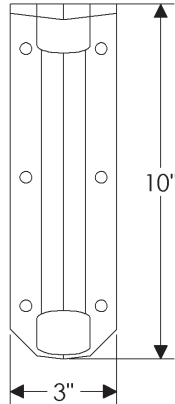
\* Requires leather or texture choice.

- Specify metal, and patina.

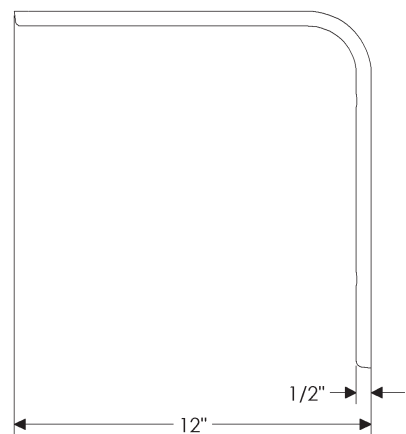
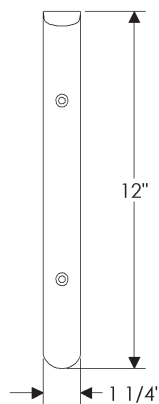
Shelf Brackets



SHB100 Shelf Bracket  
3" x 10"..... \$1,007

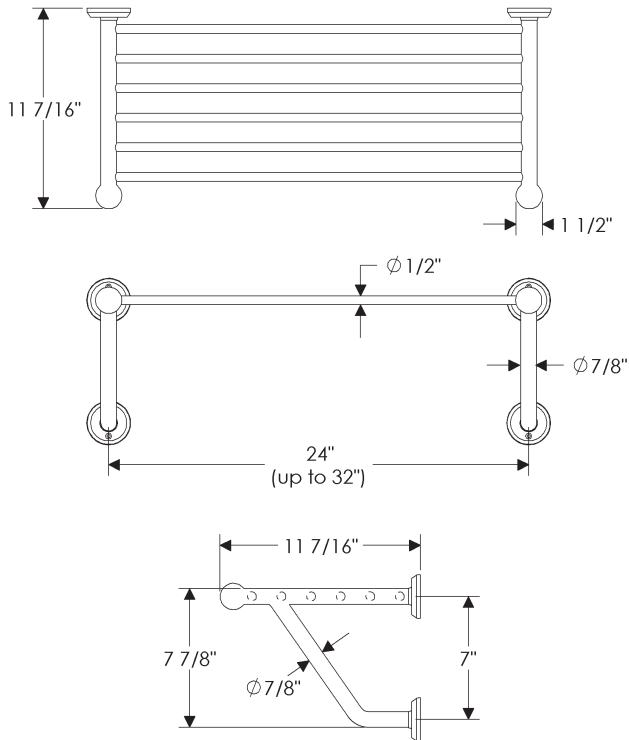
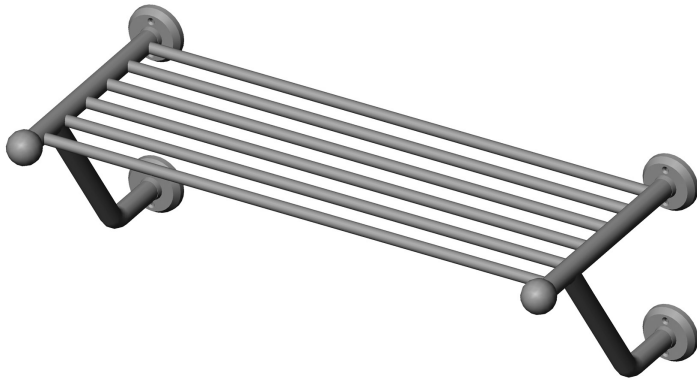


SHB22012 Shelf Bracket  
1 1/4" x 12"..... \$334



- Combinations are shown with E417 Round Escutcheon for illustration purposes only. Refer to Section B for escutcheon styles and specifications.
- Specify escutcheon style, metal, patina, ring size, and leather or texture.

TRK3 Towel Rack



TRK3 Towel Rack

24" bars (available up to 32" bars)

with E005 Ellis Escutcheon	
3" x 5" .....	\$ 2,402
with E101 Round Designer Escutcheon*	
3 1/2" .....	\$ 2,987
with E103 Square Designer Escutcheon*	
3" x 3" .....	\$ 2,839
with E153 Edge Escutcheon*	
2" x 3" .....	\$ 2,002
with E201 Round Metro Escutcheon	
2 1/4" .....	\$ 1,957
with E202 Round Metro Escutcheon	
3 1/2" .....	\$ 2,081
with E204 Square Metro Escutcheon	
2 1/4" x 2 1/4" .....	\$ 1,968
with E205 Metro Escutcheon	
2 1/4" x 3 1/4" .....	\$ 2,002
with E236 Metro Escutcheon	
2 1/2" x 4 1/2" .....	\$ 2,002
with E300 Stepped Escutcheon	
2 1/2" x 3 3/4" .....	\$ 1,980
with E400 Rectangular Escutcheon	
2 1/2" x 3 3/4" .....	\$ 1,980
with E414 Rectangular Escutcheon	
2 1/2" x 4 1/2" .....	\$ 2,002
with E415 Diamond Escutcheon	
3 9/16" x 3 9/16" .....	\$ 1,968
with E416 Square Escutcheon	
2 5/8" x 2 5/8" .....	\$ 1,968
with E417 Round Escutcheon	
2 1/2" .....	\$ 1,957
with E418 Round Escutcheon	
3 1/4" .....	\$ 2,018
with E500 Curved Escutcheon	
2 1/2" x 3 3/4" .....	\$ 1,980

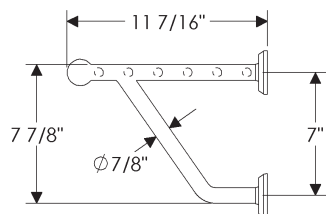
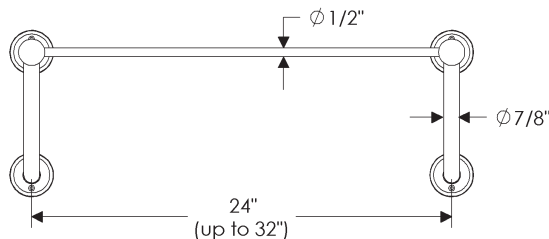
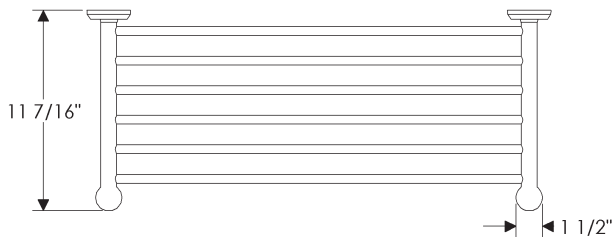
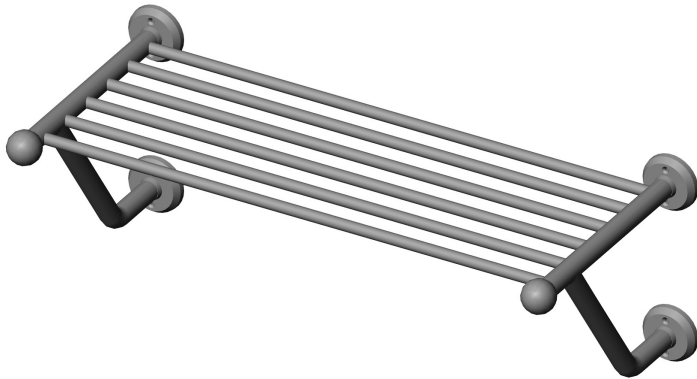
- For lengths over 24" and up to 32" add \$36 list per inch.

\* Requires leather or texture choice.

(See following page for additional options)

- Combinations are shown with E417 Round Escutcheon for illustration purposes only. Refer to Section B for escutcheon styles and specifications.
- Specify escutcheon style, metal, patina, ring size, and leather or texture.

TRK3 Towel Rack (Continued)



TRK3 Towel Rack

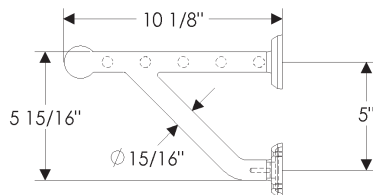
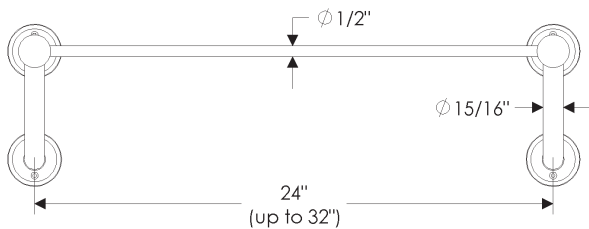
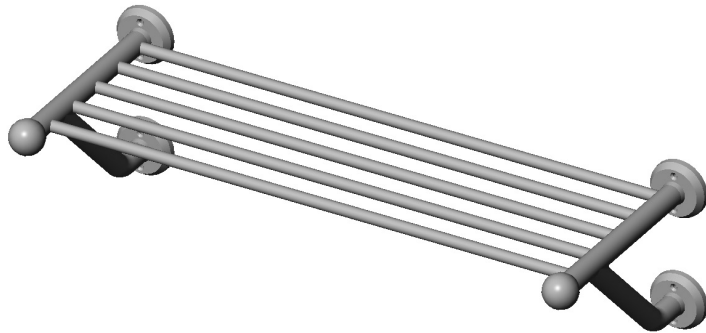
24" bars (available up to 32" bars)

with E504 Curved Escutcheon 2 1/2" x 4 1/2" .....	\$ 2,002
with E501 Oval Escutcheon 2 5/8" x 5 1/4" .....	\$ 2,027
with E589 Round Maddox Escutcheon 3 1/8" .....	\$ 2,220
with E700 Arched Escutcheon 2 1/2" x 3 3/4" .....	\$ 1,980
with E701 Arched Escutcheon 2 1/2" x 5 1/2" .....	\$ 2,147
with E10155 Oasis Escutcheon 3" x 4 1/4" .....	\$ 2,002
with E10203 Square Oasis Escutcheon 2 1/2" x 2 1/2" .....	\$ 1,968
with E10205 Oasis Escutcheon 2 1/2" x 4 1/2" .....	\$ 2,002
with E10820 Round Briggs Escutcheon 2 1/2" .....	\$ 1,957
with E21005 Mack Escutcheon 2 1/2" x 4 1/2" .....	\$ 2,002
with E30303 Square Trousdale Escutcheon 3" x 3" .....	\$ 2,220
with E30403 Hammered Escutcheon 2 1/2" x 4 1/2" .....	\$ 2,002
with E30503 Convex Escutcheon 2 1/2" x 4 1/2" .....	\$ 2,402
with E30603 Corbel Arched Escutcheon 2 1/2" x 4 1/2" .....	\$ 2,402
with E30703 Corbel Rectangular Escutcheon 2 1/2" x 4 1/2" .....	\$ 2,402
with E30802 Round Bordeaux Escutcheon 2 1/2" .....	\$ 2,220
with E30803 Round Bordeaux Escutcheon 3 1/4" .....	\$ 2,220
with E30804 Bordeaux Escutcheon 2 1/2" x 4 1/2" .....	\$ 2,402
with E30806 Oval Bordeaux Escutcheon 2 1/2" x 5 1/2" .....	\$ 2,402

- For lengths over 24" and up to 32" add \$36 list per inch.

- Combinations are shown with E417 Round Escutcheon for illustration purposes only. Refer to Section B for escutcheon styles and specifications.
- Specify escutcheon style, metal, patina, ring size, and leather or texture.

TRK Towel Rack



TRK Towel Rack

24" bars (available up to 32" bars)

with E101 Round Designer Escutcheon*	
3 1/2".....	\$ 2,269
with E103 Square Designer Escutcheon*	
3" x 3".....	\$ 2,347
with E153 Edge Escutcheon*	
2" x 3".....	\$ 1,510
with E201 Round Metro Escutcheon	
2 1/4".....	\$ 1,465
with E202 Round Metro Escutcheon	
3 1/2".....	\$ 1,590
with E204 Square Metro Escutcheon	
2 1/4" x 2 1/4".....	\$ 1,476
with E205 Metro Escutcheon	
2 1/4" x 3 1/4".....	\$ 1,510
with E300 Stepped Escutcheon	
2 1/2" x 3 3/4".....	\$ 1,488
with E400 Rectangular Escutcheon	
2 1/2" x 3 3/4".....	\$ 1,488
with E415 Diamond Escutcheon	
3 9/16" x 3 9/16".....	\$ 1,476
with E416 Square Escutcheon	
2 5/8" x 2 5/8".....	\$ 1,476
with E417 Round Escutcheon	
2 1/2".....	\$ 1,465
with E418 Round Escutcheon	
3 1/4".....	\$ 1,527
with E500 Curved Escutcheon	
2 1/2" x 3 3/4".....	\$ 1,488
with E589 Round Maddox Escutcheon	
3 1/8".....	\$ 1,727

Note: TRK Towel Rack is not compatible with E005, E414, E501, and E701 escutcheons.

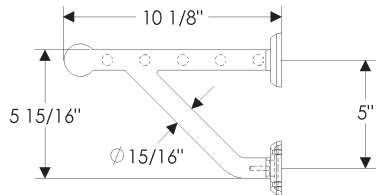
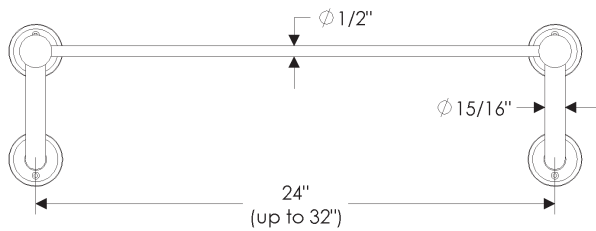
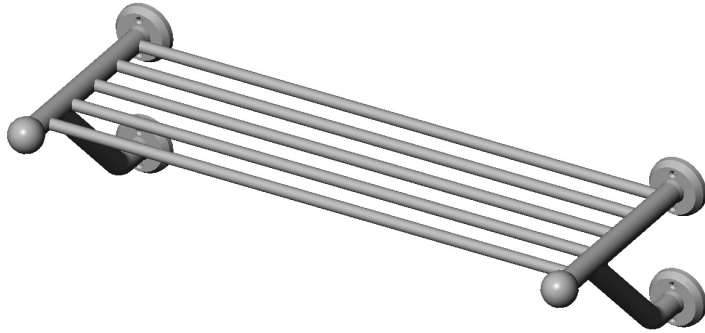
- For lengths over 24" and up to 32" add \$36 list per inch.

\* Requires leather or texture choice.

(See following page for additional options)

- Combinations are shown with E417 Round Escutcheon for illustration purposes only. Refer to Section B for escutcheon styles and specifications.
- Specify escutcheon style, metal, patina, ring size, and leather or texture.

TRK Towel Rack (Continued)



TRK Towel Rack

24" bars (available up to 32" bars)

with E700 Arched Escutcheon	
2 1/2" x 3 3/4" .....	\$ 1,488
with E10203 Square Oasis Escutcheon	
2 1/2" x 2 1/2" .....	\$ 1,476
with E10820 Round Briggs Escutcheon	
2 1/2" .....	\$ 1,465
with E30303 Square Trousdale Escutcheon	
3" x 3" .....	\$ 1,727
with E30802 Round Bordeaux Escutcheon	
2 1/2" .....	\$ 1,727
with E30803 Round Bordeaux Escutcheon	
3 1/4" .....	\$ 1,727

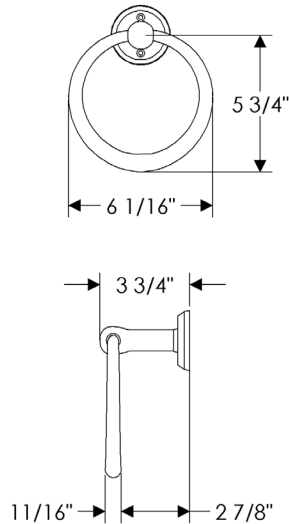
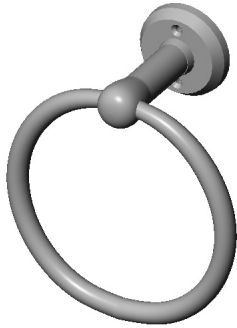
Note: TRK Towel Rack is not compatible with E005, E414, E501, and E701 escutcheons.

- For lengths over 24" and up to 32" add \$36 list per inch.

\* Requires leather or texture choice.

- Combinations are shown with E417 Round Escutcheon for illustration purposes only. Refer to Section B for escutcheon styles and specifications.
- Specify escutcheon style, metal, patina, ring size, and leather or texture.

TR Towel Ring — 6" Ring



TR6 Towel Ring — 6" Ring

with E005 Ellis Escutcheon 3" x 5" .....	\$ 466
with E101 Round Designer Escutcheon* 3 1/2" .....	\$ 612
with E103 Square Designer Escutcheon* 3" x 3" .....	\$ 576
with E153 Edge Escutcheon* 2" x 3" .....	\$ 367
with E201 Round Metro Escutcheon 2 1/4" .....	\$ 357
with E202 Round Metro Escutcheon 3 1/2" .....	\$ 387
with E204 Metro Escutcheon 2 1/4" x 2 1/4" .....	\$ 358
with E205 Metro Escutcheon 2 1/4" x 3 1/4" .....	\$ 367
with E236 Metro Escutcheon 2 1/2" x 4 1/2" .....	\$ 367
with E300 Stepped Escutcheon 2 1/2" x 3 3/4" .....	\$ 360
with E400 Rectangular Escutcheon 2 1/2" x 3 3/4" .....	\$ 360
with E414 Rectangular Escutcheon 2 1/2" x 4 1/2" .....	\$ 367

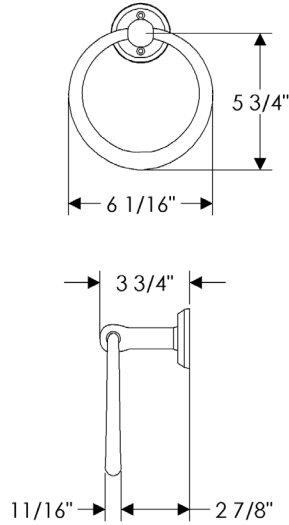
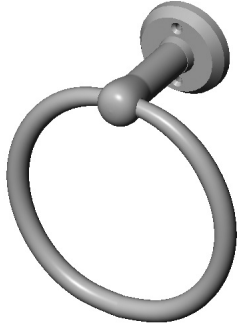
with E415 Diamond Escutcheon 3 9/16" x 3 9/16" .....	\$ 358
with E416 Square Escutcheon 2 5/8" x 2 5/8" .....	\$ 358
with E417 Round Escutcheon 2 1/2" .....	\$ 357
with E418 Round Escutcheon 3 1/4" .....	\$ 371
with E500 Curved Escutcheon 2 1/2" x 3 3/4" .....	\$ 360
with E504 Curved Escutcheon 2 1/2" x 4 1/2" .....	\$ 367
with E501 Oval Escutcheon 2 5/8" x 5 1/4" .....	\$ 372
with E589 Round Maddox Escutcheon 3 1/8" .....	\$ 421
with E700 Arched Escutcheon 2 1/2" x 3 3/4" .....	\$ 360
with E701 Arched Escutcheon 2 1/2" x 5 1/2" .....	\$ 404

\* Requires leather or texture choice.

(See following page for additional options)

- Combinations are shown with E417 Round Escutcheon for illustration purposes only. Refer to Section B for escutcheon styles and specifications.
- Specify escutcheon style, metal, patina, ring size, and leather or texture.

TR Towel Ring — 6" Ring (Continued)

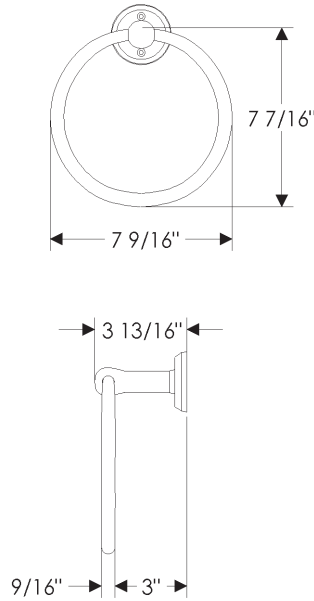
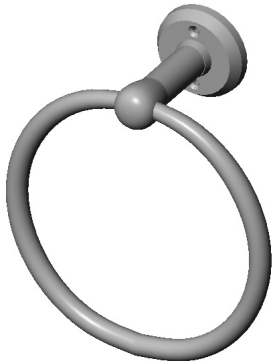


TR6 Towel Ring — 6" Ring	
with E10155 Oasis Escutcheon	
3" x 4 1/4" .....	\$ 367
with E10203 Square Oasis Escutcheon	
2 1/2" x 2 1/2" .....	\$ 358
with E10205 Oasis Escutcheon	
2 1/2" x 4 1/2" .....	\$ 367
with E10820 Round Briggs Escutcheon	
2 1/2" .....	\$ 357
with E10800 Briggs Escutcheon	
2 3/8" x 7" .....	\$ 392
with E21005 Mack Escutcheon	
2 1/2" x 4 1/2" .....	\$ 367
with E30303 Square Trousdale Escutcheon	
3" x 3" .....	\$ 421
with E30403 Hammered Escutcheon	
2 1/2" x 4 1/2" .....	\$ 367
with E30503 Convex Escutcheon	
2 1/2" x 4 1/2" .....	\$ 466
with E30603 Corbel Arched Escutcheon	
2 1/2" x 4 1/2" .....	\$ 466
with E30703 Corbel Rectangular Escutcheon	
2 1/2" x 4 1/2" .....	\$ 466

with E30802 Round Bordeaux Escutcheon	
2 1/2" .....	\$ 421
with E30803 Round Bordeaux Escutcheon	
3 1/4" .....	\$ 421
with E30804 Bordeaux Escutcheon	
2 1/2" x 4 1/2" .....	\$ 466
with E30806 Oval Bordeaux Escutcheon	
2 1/2" x 5 1/2" .....	\$ 466

- Combinations are shown with E417 Round Escutcheon for illustration purposes only. Refer to Section B for escutcheon styles and specifications.
- Specify escutcheon style, metal, patina, ring size, and leather or texture.

TR Towel Ring — 7" Ring



TR7 Towel Ring — 7" Ring

with E005 Ellis Escutcheon 3" x 5" .....	\$ 489
with E101 Round Designer Escutcheon* 3 1/2" .....	\$ 635
with E103 Square Designer Escutcheon* 3" x 3" .....	\$ 597
with E153 Edge Escutcheon* 2" x 3" .....	\$ 390
with E201 Round Metro Escutcheon 2 1/4" .....	\$ 391
with E202 Round Metro Escutcheon 3 1/2" .....	\$ 409
with E204 Square Metro Escutcheon 2 1/4" x 2 1/4" .....	\$ 380
with E205 Metro Escutcheon 2 1/4" x 3 1/4" .....	\$ 390
with E236 Metro Escutcheon 2 1/2" x 4 1/2" .....	\$ 390
with E300 Stepped Escutcheon 2 1/2" x 3 3/4" .....	\$ 382
with E400 Rectangular Escutcheon 2 1/2" x 3 3/4" .....	\$ 382

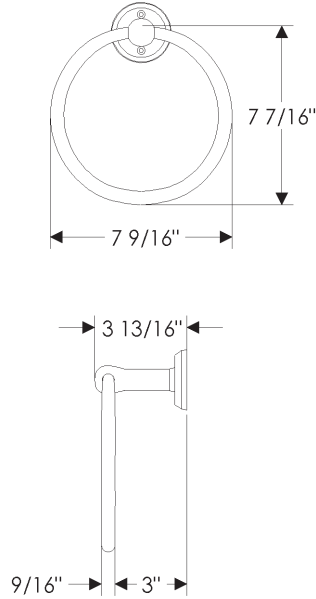
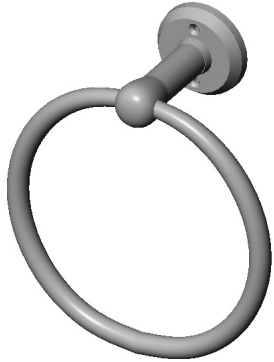
with E414 Rectangular Escutcheon 2 1/2" x 4 1/2" .....	\$ 390
with E415 Diamond Escutcheon 3 9/16" x 3 9/16" .....	\$ 380
with E416 Square Escutcheon 2 5/8" x 2 5/8" .....	\$ 380
with E417 Round Escutcheon 2 1/2" .....	\$ 379
with E418 Round Escutcheon 3 1/4" .....	\$ 393
with E500 Curved Escutcheon 2 1/2" x 3 3/4" .....	\$ 382
with E504 Curved Escutcheon 2 1/2" x 4 1/2" .....	\$ 390
with E501 Oval Escutcheon 2 5/8" x 5 1/4" .....	\$ 394
with E589 Round Maddox Escutcheon 3 1/8" .....	\$ 444

\* Requires leather or texture choice.

(See following page for additional options)

- Combinations are shown with E417 Round Escutcheon for illustration purposes only. Refer to Section B for escutcheon styles and specifications.
- Specify escutcheon style, metal, patina, ring size, and leather or texture.

TR Towel Ring — 7" Ring (Continued)



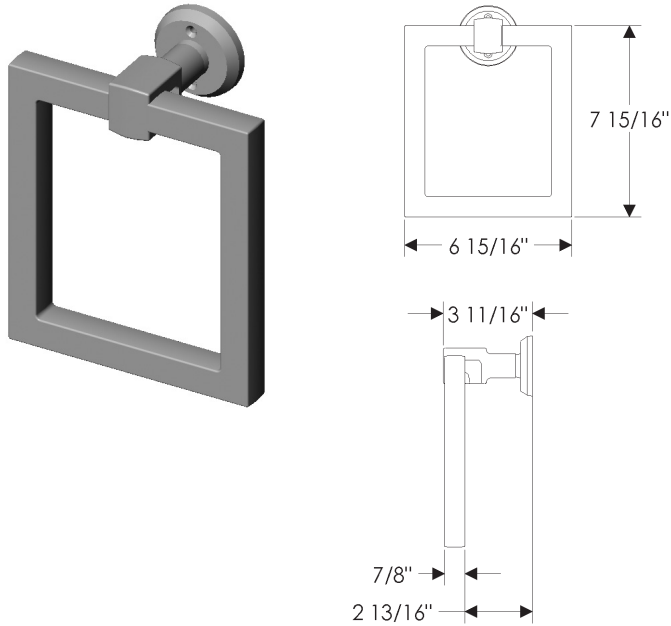
TR7 Towel Ring — 7" Ring

with E700 Arched Escutcheon 2 1/2" x 3 3/4" .....	\$ 382
with E701 Arched Escutcheon 2 1/2" x 5 1/2" .....	\$ 423
with E10155 Oasis Escutcheon 3" x 4 1/4" .....	\$ 390
with E10203 Square Oasis Escutcheon 2 1/2" x 2 1/2" .....	\$ 380
with E10205 Oasis Escutcheon 2 1/2" x 4 1/2" .....	\$ 390
with E10820 Round Briggs Escutcheon 2 1/2" .....	\$ 379
with E10800 Briggs Escutcheon 2 3/8" x 7" .....	\$ 414
with E21005 Mack Escutcheon 2 1/2" x 4 1/2" .....	\$ 390
with E30303 Square Trousdale Escutcheon 3" x 3" .....	\$ 444
with E30403 Hammered Escutcheon 2 1/2" x 4 1/2" .....	\$ 390
with E30503 Convex Escutcheon 2 1/2" x 4 1/2" .....	\$ 489

with E30603 Corbel Arched Escutcheon 2 1/2" x 4 1/2" .....	\$ 489
with E30703 Corbel Rectangular Escutcheon 2 1/2" x 4 1/2" .....	\$ 489
with E30802 Round Bordeaux Escutcheon 2 1/2" .....	\$ 444
with E30803 Round Bordeaux Escutcheon 3 1/4" .....	\$ 444
with E30804 Bordeaux Escutcheon 2 1/2" x 4 1/2" .....	\$ 489
with E30806 Oval Bordeaux Escutcheon 2 1/2" x 5 1/2" .....	\$ 489

- Combinations are shown with E417 Round Escutcheon for illustration purposes only. Refer to Section B for escutcheon styles and specifications.
- Specify escutcheon style, metal, patina, ring size, and leather or texture.

TR Tempo Towel Ring — 8" Ring



TR8 Tempo Towel Ring — 8" ring

with E005 Ellis Escutcheon 3" x 5" .....	\$ 554
with E101 Round Designer Escutcheon* 3 1/2" .....	\$ 700
with E103 Square Designer Escutcheon* 3" x 3" .....	\$ 663
with E153 Edge Escutcheon* 2" x 3" .....	\$ 454
with E201 Round Metro Escutcheon 2 1/4" .....	\$ 445
with E202 Round Metro Escutcheon 3 1/2" .....	\$ 476
with E204 Square Metro Escutcheon 2 1/4" x 2 1/4" .....	\$ 446
with E205 Metro Escutcheon 2 1/4" x 3 1/4" .....	\$ 454
with E236 Metro Escutcheon 2 1/2" x 4 1/2" .....	\$ 454
with E300 Stepped Escutcheon 2 1/2" x 3 3/4" .....	\$ 448
with E400 Rectangular Escutcheon 2 1/2" x 3 3/4" .....	\$ 448

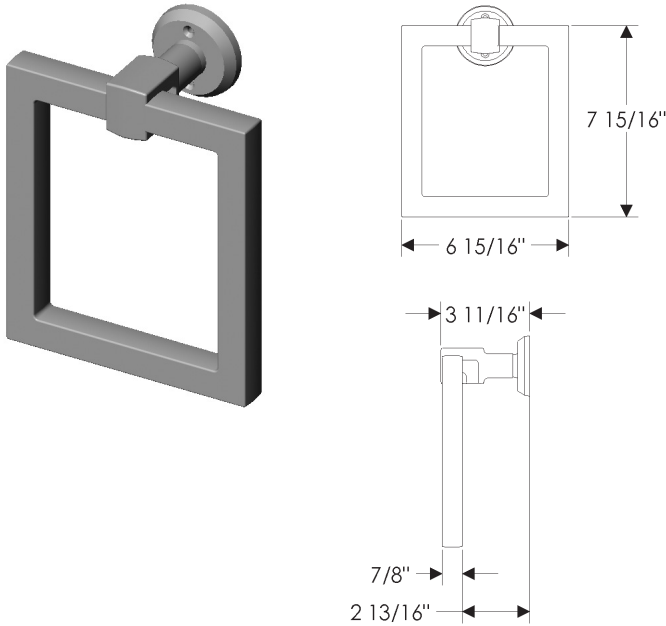
with E414 Rectangular Escutcheon 2 1/2" x 4 1/2" .....	\$ 454
with E415 Diamond Escutcheon 3 9/16" x 3 9/16" .....	\$ 446
with E416 Square Escutcheon 2 5/8" x 2 5/8" .....	\$ 446
with E417 Round Escutcheon 2 1/2" .....	\$ 445
with E418 Round Escutcheon 3 1/4" .....	\$ 459
with E500 Curved Escutcheon 2 1/2" x 3 3/4" .....	\$ 448
with E504 Curved Escutcheon 2 1/2" x 4 1/2" .....	\$ 454
with E501 Oval Escutcheon 2 5/8" x 5 1/4" .....	\$ 460
with E589 Round Maddox Escutcheon 3 1/8" .....	\$ 509

\* Requires leather or texture choice.

(See following page for additional options)

- Combinations are shown with E417 Round Escutcheon for illustration purposes only. Refer to Section B for escutcheon styles and specifications.
- Specify escutcheon style, metal, patina, ring size, and leather or texture.

TR Tempo Towel Ring — 8" Ring (Continued)

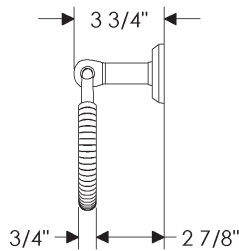
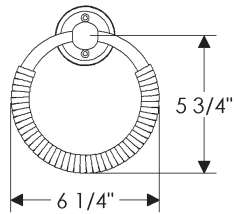
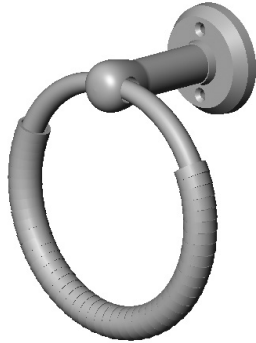


TR8 Tempo Towel Ring — 8" ring	
with E700 Arched Escutcheon	
2 1/2" x 3 3/4" .....	\$ 448
with E701 Arched Escutcheon	
2 1/2" x 5 1/2" .....	\$ 491
with E10155 Oasis Escutcheon	
3" x 4 1/4" .....	\$ 454
with E10203 Square Oasis Escutcheon	
2 1/2" x 2 1/2" .....	\$ 446
with E10205 Oasis Escutcheon	
2 1/2" x 4 1/2" .....	\$ 454
with E10820 Round Briggs Escutcheon	
2 1/2" .....	\$ 445
with E10800 Briggs Escutcheon	
2 3/8" x 7" .....	\$ 479
with E21005 Mack Escutcheon	
2 1/2" x 4 1/2" .....	\$ 454
with E30303 Square Trousdale Escutcheon	
3" x 3" .....	\$ 509
with E30403 Hammered Escutcheon	
2 1/2" x 4 1/2" .....	\$ 454

with E30503 Convex Escutcheon	
2 1/2" x 4 1/2" .....	\$ 554
with E30603 Corbel Arched Escutcheon	
2 1/2" x 4 1/2" .....	\$ 554
with E30703 Corbel Rectangular Escutcheon	
2 1/2" x 4 1/2" .....	\$ 554
with E30802 Round Bordeaux Escutcheon	
2 1/2" .....	\$ 509
with E30803 Round Bordeaux Escutcheon	
3 1/4" .....	\$ 509
with E30804 Bordeaux Escutcheon	
2 1/2" x 4 1/2" .....	\$ 554
with E30806 Oval Bordeaux Escutcheon	
2 1/2" x 5 1/2" .....	\$ 554

- Combinations are shown with E417 Round Escutcheon for illustration purposes only. Refer to Section B for escutcheon styles and specifications.
- Specify escutcheon style, metal, patina, ring size, and leather or texture.

TR Lariat Towel Ring — 6" Ring



TR9 Lariat Towel Ring — 6" Ring

with E005 Ellis Escutcheon 3" x 5" .....	\$ 466
with E101 Round Designer Escutcheon* 3 1/2" .....	\$ 612
with E103 Square Designer Escutcheon* 3" x 3" .....	\$ 576
with E153 Edge Escutcheon* 2" x 3" .....	\$ 367
with E201 Round Metro Escutcheon 2 1/4" .....	\$ 357
with E202 Round Metro Escutcheon 3 1/2" .....	\$ 387
with E204 Metro Escutcheon 2 1/4" x 2 1/4" .....	\$ 358
with E205 Metro Escutcheon 2 1/4" x 3 1/4" .....	\$ 367
with E236 Metro Escutcheon 2 1/2" x 4 1/2" .....	\$ 367
with E300 Stepped Escutcheon 2 1/2" x 3 3/4" .....	\$ 360
with E400 Rectangular Escutcheon 2 1/2" x 3 3/4" .....	\$ 360
with E414 Rectangular Escutcheon 2 1/2" x 4 1/2" .....	\$ 367

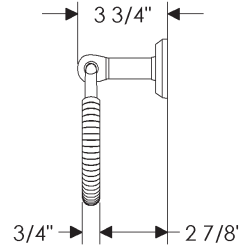
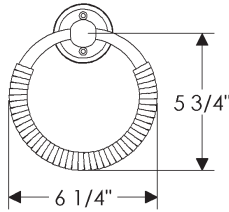
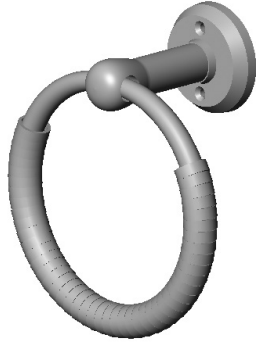
with E415 Diamond Escutcheon 3 9/16" x 3 9/16" .....	\$ 358
with E416 Square Escutcheon 2 5/8" x 2 5/8" .....	\$ 358
with E417 Round Escutcheon 2 1/2" .....	\$ 357
with E418 Round Escutcheon 3 1/4" .....	\$ 371
with E500 Curved Escutcheon 2 1/2" x 3 3/4" .....	\$ 360
with E504 Curved Escutcheon 2 1/2" x 4 1/2" .....	\$ 367
with E501 Oval Escutcheon 2 5/8" x 5 1/4" .....	\$ 372
with E589 Round Maddox Escutcheon 3 1/8" .....	\$ 421
with E700 Arched Escutcheon 2 1/2" x 3 3/4" .....	\$ 360
with E701 Arched Escutcheon 2 1/2" x 5 1/2" .....	\$ 404

\* Requires leather or texture choice.

(See following page for additional options)

- Combinations are shown with E417 Round Escutcheon for illustration purposes only. Refer to Section B for escutcheon styles and specifications.
- Specify escutcheon style, metal, patina, ring size, and leather or texture.

TR Lariat Towel Ring — 6" Ring (Continued)



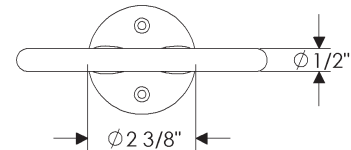
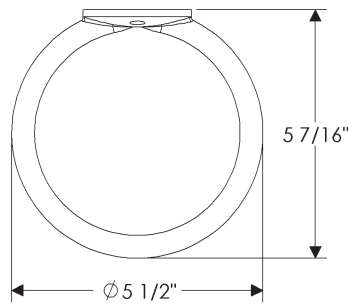
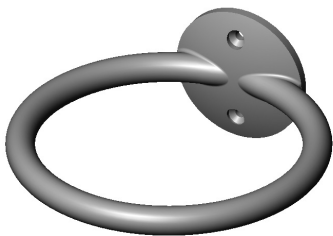
TR9 Lariat Towel Ring — 6" Ring

- with E10155 Oasis Escutcheon  
3" x 4 1/4" ..... \$ 367
- with E10203 Square Oasis Escutcheon  
2 1/2" x 2 1/2" ..... \$ 358
- with E10205 Oasis Escutcheon  
2 1/2" x 4 1/2" ..... \$ 367
- with E10820 Round Briggs Escutcheon  
2 1/2" ..... \$ 357
- with E10800 Briggs Escutcheon  
2 3/8" x 7" ..... \$ 392
- with E21005 Mack Escutcheon  
2 1/2" x 4 1/2" ..... \$ 367
- with E30303 Square Trousdale Escutcheon  
3" x 3" ..... \$ 421

- with E30403 Hammered Escutcheon  
2 1/2" x 4 1/2" ..... \$ 367
- with E30503 Convex Escutcheon  
2 1/2" x 4 1/2" ..... \$ 466
- with E30603 Corbel Arched Escutcheon  
2 1/2" x 4 1/2" ..... \$ 466
- with E30703 Corbel Rectangular Escutcheon  
2 1/2" x 4 1/2" ..... \$ 466
- with E30802 Round Bordeaux Escutcheon  
2 1/2" ..... \$ 421
- with E30803 Round Bordeaux Escutcheon  
3 1/4" ..... \$ 421
- with E30804 Bordeaux Escutcheon  
2 1/2" x 4 1/2" ..... \$ 466
- with E30806 Oval Bordeaux Escutcheon  
2 1/2" x 5 1/2" ..... \$ 466

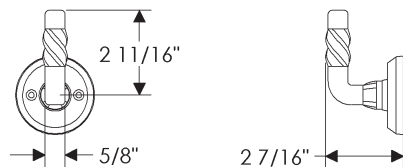
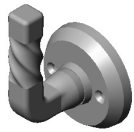
TR605 Cirque Towel Ring, *CIRQUE COLLECTION*

TR605 Cirque Towel Ring ..... \$ 357



- Combinations are shown with E417 Round Escutcheon for illustration purposes only. Refer to Section B for escutcheon styles and specifications.
- Specify escutcheon style, metal, patina, ring size, and leather or texture.

RH2 Twist Robe Hook



RH2 Twist Robe Hook

with E005 Ellis Escutcheon 3" x 5" .....	\$ 351
with E101 Round Designer Escutcheon* 3 1/2" .....	\$ 499
with E103 Square Designer Escutcheon* 3" x 3" .....	\$ 460
with E153 Edge Escutcheon* 2" x 3" .....	\$ 252
with E201 Round Metro Escutcheon 2 1/4" .....	\$ 242
with E202 Round Metro Escutcheon 3 1/2" .....	\$ 273
with E204 Square Metro Escutcheon 2 1/4" x 2 1/4" .....	\$ 245
with E205 Metro Escutcheon 2 1/4" x 3 1/4" .....	\$ 252
with E236 Metro Escutcheon 2 1/2" x 4 1/2" .....	\$ 252
with E300 Stepped Escutcheon 2 1/2" x 3 3/4" .....	\$ 247
with E400 Rectangular Escutcheon 2 1/2" x 3 3/4" .....	\$ 247
with E414 Rectangular Escutcheon 2 1/2" x 4 1/2" .....	\$ 252
with E415 Diamond Escutcheon 3 9/16" x 3 9/16" .....	\$ 245
with E416 Square Escutcheon 2 5/8" x 2 5/8" .....	\$ 245

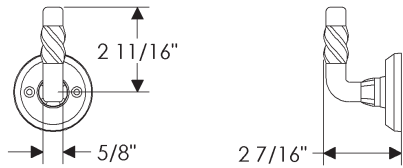
with E417 Round Escutcheon 2 1/2" .....	\$ 242
with E418 Round Escutcheon 3 1/4" .....	\$ 258
with E500 Curved Escutcheon 2 1/2" x 3 3/4" .....	\$ 247
with E504 Curved Escutcheon 2 1/2" x 4 1/2" .....	\$ 252
with E501 Oval Escutcheon 2 5/8" x 5 1/4" .....	\$ 259
with E589 Round Maddox Escutcheon 3 1/8" .....	\$ 306
with E700 Arched Escutcheon 2 1/2" x 3 3/4" .....	\$ 247
with E701 Arched Escutcheon 2 1/2" x 5 1/2" .....	\$ 289
with E10155 Oasis Escutcheon 3" x 4 1/4" .....	\$ 252
with E10203 Square Oasis Escutcheon 2 1/2" x 2 1/2" .....	\$ 245
with E10205 Oasis Escutcheon 2 1/2" x 4 1/2" .....	\$ 252
with E10820 Round Briggs Escutcheon 2 1/2" .....	\$ 242

\* Requires leather or texture choice.

(See following page for additional options)

- Combinations are shown with E417 Round Escutcheon for illustration purposes only. Refer to Section B for escutcheon styles and specifications.
- Specify escutcheon style, metal, patina, ring size, and leather or texture.

RH2 Twist Robe Hook (Continued)



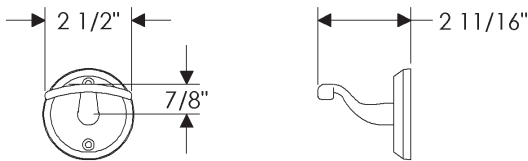
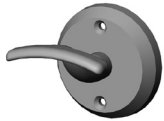
RH2 Twist Robe Hook

with E10800 Briggs Escutcheon	
2 3/8" x 7" .....	\$ 277
with E21005 Mack Escutcheon	
2 1/2" x 4 1/2" .....	\$ 252
with E30303 Square Trousdale Escutcheon	
3" x 3" .....	\$ 306
with E30403 Hammered Escutcheon	
2 1/2" x 4 1/2" .....	\$ 252
with E30503 Convex Escutcheon	
2 1/2" x 4 1/2" .....	\$ 351
with E30603 Corbel Arched Escutcheon	
2 1/2" x 4 1/2" .....	\$ 351
with E30703 Corbel Rectangular Escutcheon	
2 1/2" x 4 1/2" .....	\$ 351
with E30802 Round Bordeaux Escutcheon	
2 1/2" .....	\$ 306
with E30803 Round Bordeaux Escutcheon	
3 1/4" .....	\$ 306
with E30804 Bordeaux Escutcheon	
2 1/2" x 4 1/2" .....	\$ 351
with E30806 Oval Bordeaux Escutcheon	
2 1/2" x 5 1/2" .....	\$ 351

\* Requires leather or texture choice.

- Combinations are shown with IP417 Round Escutcheon for illustration purposes only. Refer to Section B for escutcheon specifications.
- Specify escutcheon style, metal, patina, and leather or texture.

RH4 Whale Tail Robe Hook



RH4 Whale Tail Robe Hook

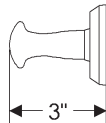
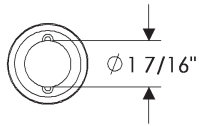
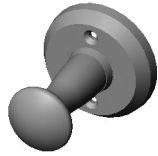
with IP014 Ellis Escutcheon	
3" x 3 3/4" .....	\$ 351
with E101 Round Designer Escutcheon*	
3 1/2" .....	\$ 499
with E103 Square Designer Escutcheon*	
3" x 3" .....	\$ 460
with IP150 Edge Escutcheon*	
2" x 3" .....	\$ 240
with IP203 Square Metro Escutcheon*	
2 1/4" x 2 1/4" .....	\$ 242
with IP205 Round Metro Escutcheon*	
2 1/4" .....	\$ 242
with IP214 Metro Escutcheon	
2 1/4" x 3 1/4" .....	\$ 247
with IP318 Stepped Escutcheon	
2 1/2" x 3" .....	\$ 247
with IP415 Diamond Escutcheon	
3 9/16" x 3 9/16" .....	\$ 238
with IP418 Rectangular Escutcheon	
2 1/2" x 3" .....	\$ 247
with IP417 Round Escutcheon	
2 5/8" .....	\$ 242
with IP512 Curved Escutcheon	
2 1/2" x 3 3/8" .....	\$ 247
with IP580 Maddox Escutcheon	
2 3/8" x 3 5/16" .....	\$ 306

with IP716 Arched Escutcheon	
2 1/2" x 3 3/4" .....	\$ 247
with IP10200 Oasis Escutcheon	
2 1/2" x 3 1/4" .....	\$ 247
with IP10800 Briggs Escutcheon	
2 1/2" x 5 1/8" .....	\$ 278
with IP21014 Mack Escutcheon	
2 1/2" x 3 1/2" .....	\$ 247
with IP30390 Square Trousdale Escutcheon	
3" x 3" .....	\$ 306
with IP30490 Hammered Escutcheon	
2 1/2" x 3 1/4" .....	\$ 247
with IP30590 Convex Escutcheon	
2 1/2" x 3 1/4" .....	\$ 351
with IP30690 Corbel Arched Escutcheon	
2 1/2" x 4 1/2" .....	\$ 351
with IP30790 Corbel Rectangular Escutcheon	
2 1/2" x 4" .....	\$ 351
with IP30890 Bordeaux Escutcheon	
2 1/2" x 3 1/4" .....	\$ 351

\* Requires leather or texture choice.

- Combinations are shown with E417 Round Escutcheon for illustration purposes only. Refer to Section B for escutcheon styles and specifications.
- Specify escutcheon style, metal, patina, ring size, and leather or texture.

RH5 Peg Robe Hook



RH5 Peg Robe Hook

with E005 Ellis Escutcheon	
3" x 5" .....	\$ 290
with E101 Round Designer Escutcheon*	
3 1/2" .....	\$ 436
with E103 Square Designer Escutcheon*	
3" x 3" .....	\$ 399
with E153 Edge Escutcheon*	
2" x 3" .....	\$ 191
with E201 Round Metro Escutcheon	
2 1/4" .....	\$ 181
with E202 Round Metro Escutcheon	
3 1/2" .....	\$ 212
with E204 Square Metro Escutcheon	
2 1/4" x 2 1/4" .....	\$ 182
with E205 Metro Escutcheon	
2 1/4" x 3 1/4" .....	\$ 191
with E236 Metro Escutcheon	
2 1/2" x 4 1/2" .....	\$ 191
with E300 Stepped Escutcheon	
2 1/2" x 3 3/4" .....	\$ 185
with E400 Rectangular Escutcheon	
2 1/2" x 3 3/4" .....	\$ 185
with E414 Rectangular Escutcheon	
2 1/2" x 4 1/2" .....	\$ 191
with E415 Diamond Escutcheon	
3 9/16" x 3 9/16" .....	\$ 182

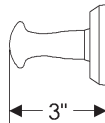
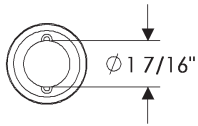
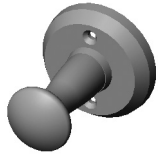
with E416 Square Escutcheon	
2 5/8" x 2 5/8" .....	\$ 182
with E417 Round Escutcheon	
2 1/2" .....	\$ 181
with E418 Round Escutcheon	
3 1/4" .....	\$ 196
with E500 Curved Escutcheon	
2 1/2" x 3 3/4" .....	\$ 185
with E504 Curved Escutcheon	
2 1/2" x 4 1/2" .....	\$ 191
with E501 Oval Escutcheon	
2 5/8" x 5 1/4" .....	\$ 197
with E589 Round Maddox Escutcheon	
3 1/8" .....	\$ 246
with E700 Arched Escutcheon	
2 1/2" x 3 3/4" .....	\$ 185
with E701 Arched Escutcheon	
2 1/2" x 5 1/2" .....	\$ 227
with E10155 Oasis Escutcheon	
3" x 4 1/4" .....	\$ 191
with E10203 Square Oasis Escutcheon	
2 1/2" x 2 1/2" .....	\$ 182
with E10205 Oasis Escutcheon	
2 1/2" x 4 1/2" .....	\$ 191

\* Requires leather or texture choice.

(See following page for additional options)

- Combinations are shown with E417 Round Escutcheon for illustration purposes only. Refer to Section B for escutcheon styles and specifications.
- Specify escutcheon style, metal, patina, ring size, and leather or texture.

RH5 Peg Robe Hook (Continued)

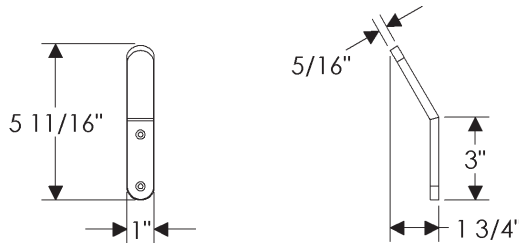


RH5 Peg Robe Hook

with E10820 Round Briggs Escutcheon	
2 1/2" .....	\$ 181
with E10800 Briggs Escutcheon	
2 3/8" x 7" .....	\$ 216
with E21005 Mack Escutcheon	
2 1/2" x 4 1/2" .....	\$ 191
with E30303 Square Trousdale Escutcheon	
3" x 3" .....	\$ 246
with E30403 Hammered Escutcheon	
2 1/2" x 4 1/2" .....	\$ 191
with E30503 Convex Escutcheon	
2 1/2" x 4 1/2" .....	\$ 290
with E30603 Corbel Arched Escutcheon	
2 1/2" x 4 1/2" .....	\$ 290
with E30703 Corbel Rectangular Escutcheon	
2 1/2" x 4 1/2" .....	\$ 290
with E30802 Round Bordeaux Escutcheon	
2 1/2" .....	\$ 246
with E30803 Round Bordeaux Escutcheon	
3 1/4" .....	\$ 246
with E30804 Bordeaux Escutcheon	
2 1/2" x 4 1/2" .....	\$ 290
with E30806 Oval Bordeaux Escutcheon	
2 1/2" x 5 1/2" .....	\$ 290

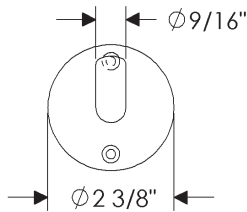
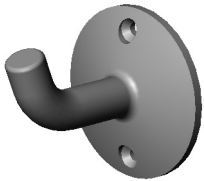
- Specify metal and patina.

RH6 Kinked Robe Hook



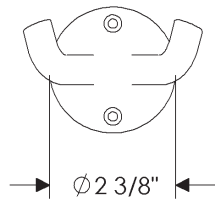
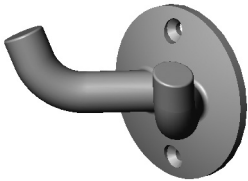
Kinked Robe Hook  
RH6..... \$ 93

RH605 Cirque Robe Hook



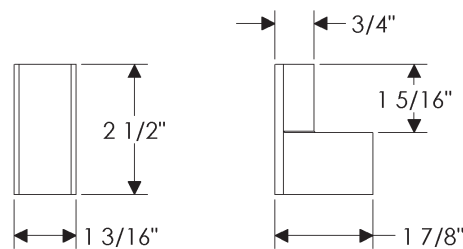
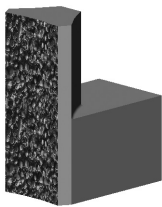
Cirque Robe Hook  
RH605..... \$ 108

RH606 Cirque Double Robe Hook



Cirque Double Robe Hook  
RH606..... \$ 130

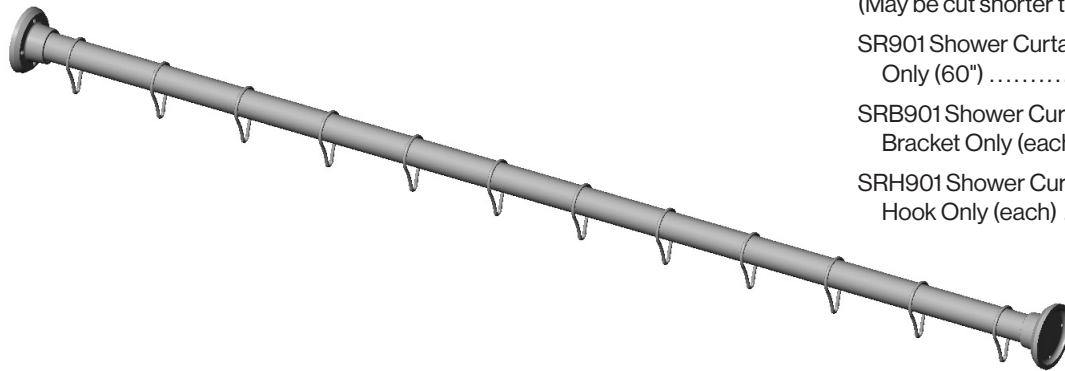
RH30300 Trousdale Robe Hook, *KRAVITZ DESIGN COLLECTION*



Trousdale Robe Hook  
RH30300..... \$ 214

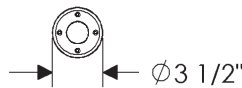
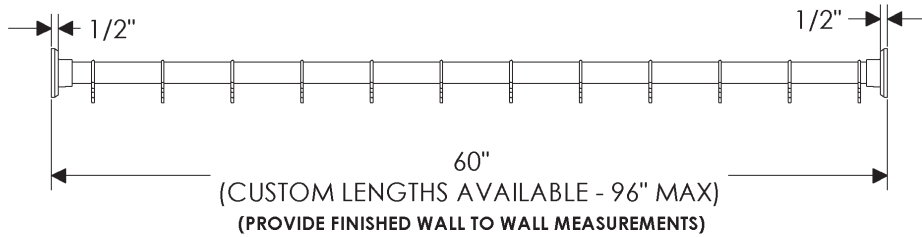
- Specify metal and patina.

SR Shower Curtain Rod and Brackets with Hooks



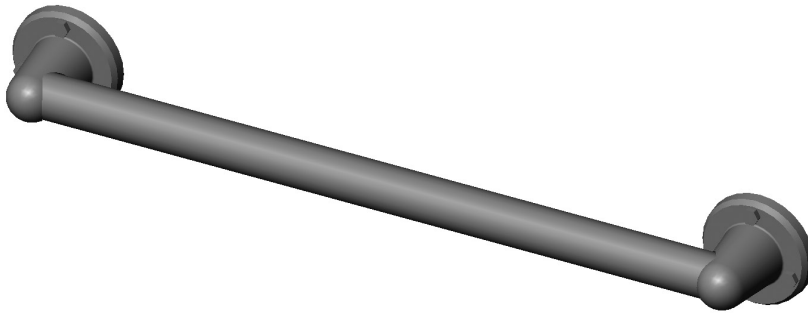
SR Shower Curtain Rod (60") and Brackets with 12 Hooks .....	\$ 2,280
(May be cut shorter to specification.)	
SR901 Shower Curtain Rod Only (60") .....	\$ 1,395
SRB901 Shower Curtain Rod Bracket Only (each) .....	\$ 132
SRH901 Shower Curtain Rod Hook Only (each) .....	\$ 52

- For lengths over 60" (96" max) add \$ 36 list per inch to pricing listed.
- Weight: 7 lbs. per foot



- Specify metal, patina, and bar length.
- Supplied with (6) 5/16" x 3" hex head lag bolts.

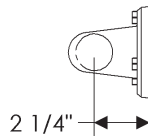
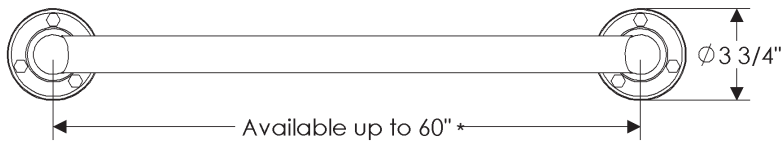
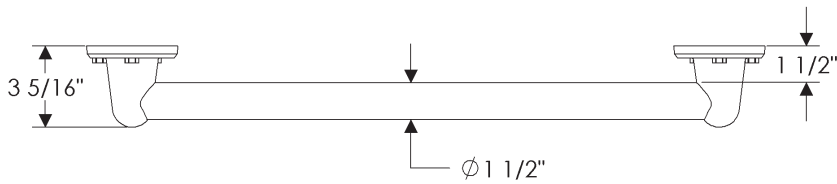
Grab Bar



GB1 Grab Bar

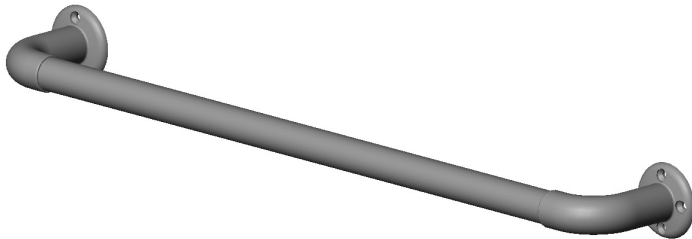
12" .....	\$ 986
16" .....	\$ 1,121
18" .....	\$ 1,188
24" .....	\$ 1,390
30" .....	\$ 1,592
32" .....	\$ 1,660
36" .....	\$ 1,795
42" .....	\$ 1,996
48" .....	\$ 2,197
60" .....	\$ 2,602

\* Call for pricing on additional length options.



- Specify metal, patina, and bar length.

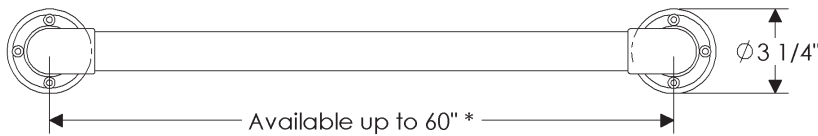
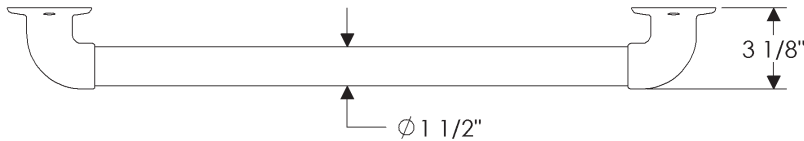
Grab Bar



GB22000 Grab Bar

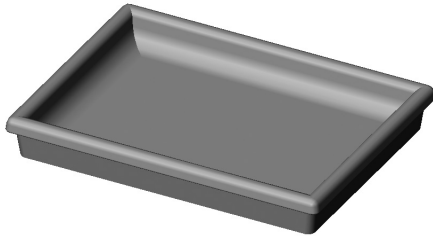
12" .....	\$ 986
16" .....	\$ 1,121
18" .....	\$ 1,188
24" .....	\$ 1,390
30" .....	\$ 1,592
32" .....	\$ 1,660
36" .....	\$ 1,795
42" .....	\$ 1,996
48" .....	\$ 2,197
60" .....	\$ 2,602

\* Call for pricing on additional length options.

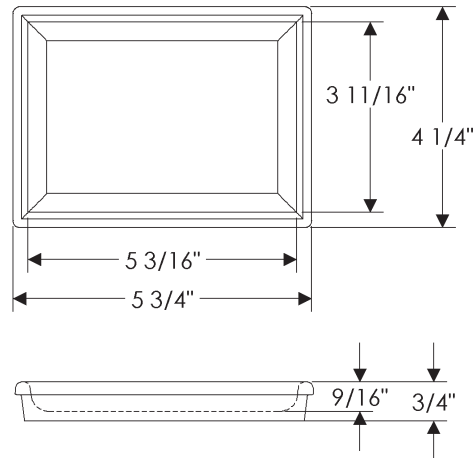


- Specify metal and patina.

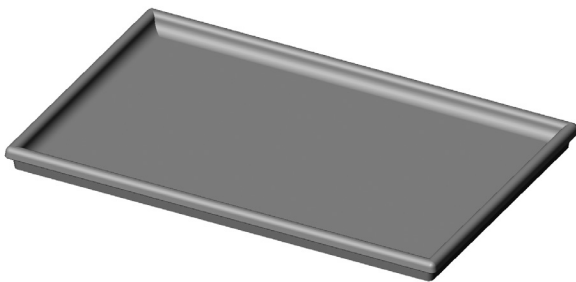
SD100 Soap Dish



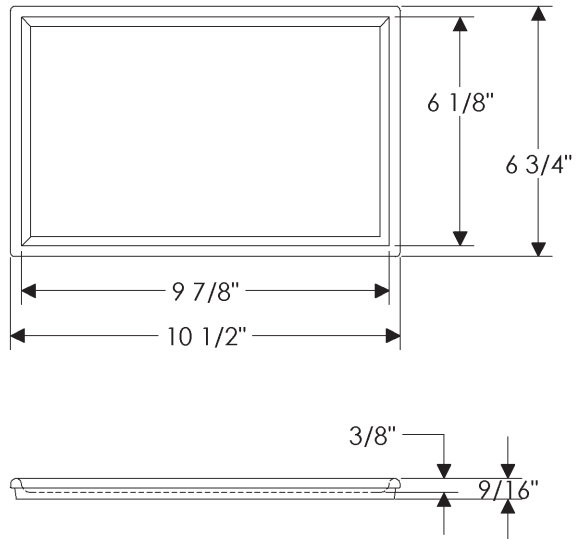
SD100 Soap Dish  
4 1/4" x 5 3/4" ..... \$ 176



LT100 Large Tray

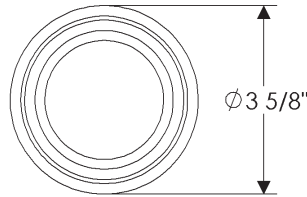


LT100 Large Tray  
6 3/4" x 10 1/2" ..... \$ 453



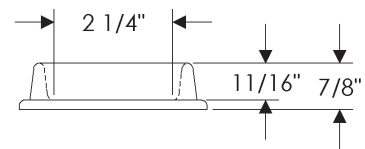
- Specify metal and patina.

**GH100 Glass Holder**

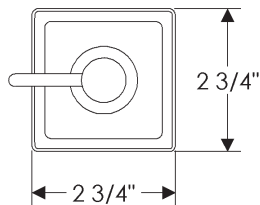
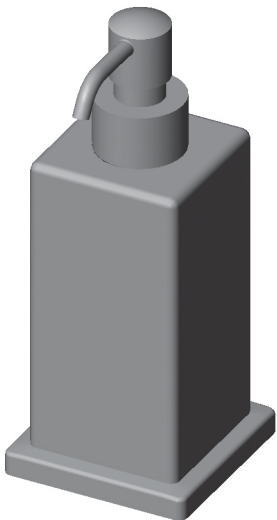


**GH100 Glass Holder**

3 5/8" ..... \$ 148



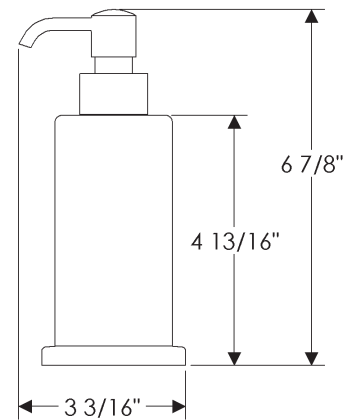
**SP100 Soap Dispenser**



**SP100 Soap Dispenser**

3 3/16" x 6 7/8" ..... \$ 620

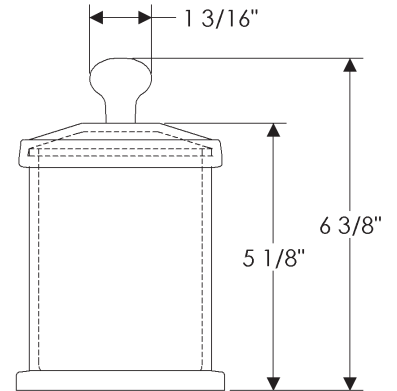
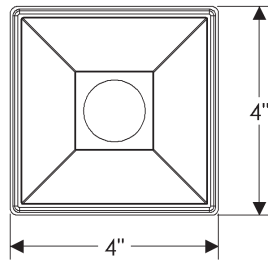
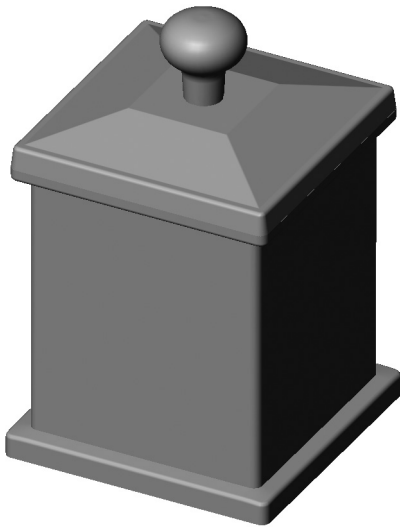
- Includes all pump components.



- Specify metal and patina.

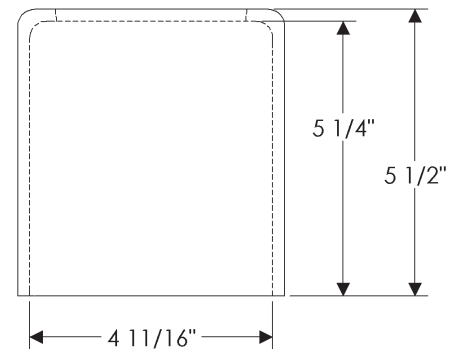
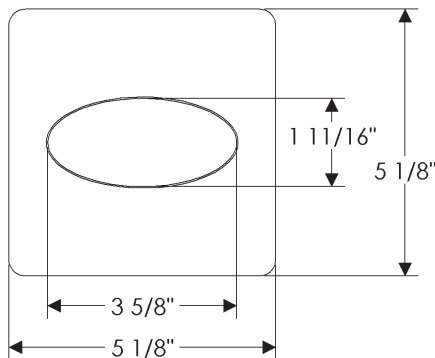
JR100 Square Canister

JR100 Square Canister  
4" x 6 3/8" ..... \$ 528



TC100 Tissue Cover

TC100 Tissue Cover  
5 1/8" x 5 1/2" ..... \$ 845



- Specify metal and patina.

WB100 Waste Basket

WB100 Waste Basket  
8" x 9 1/2" ..... \$ 2,996

