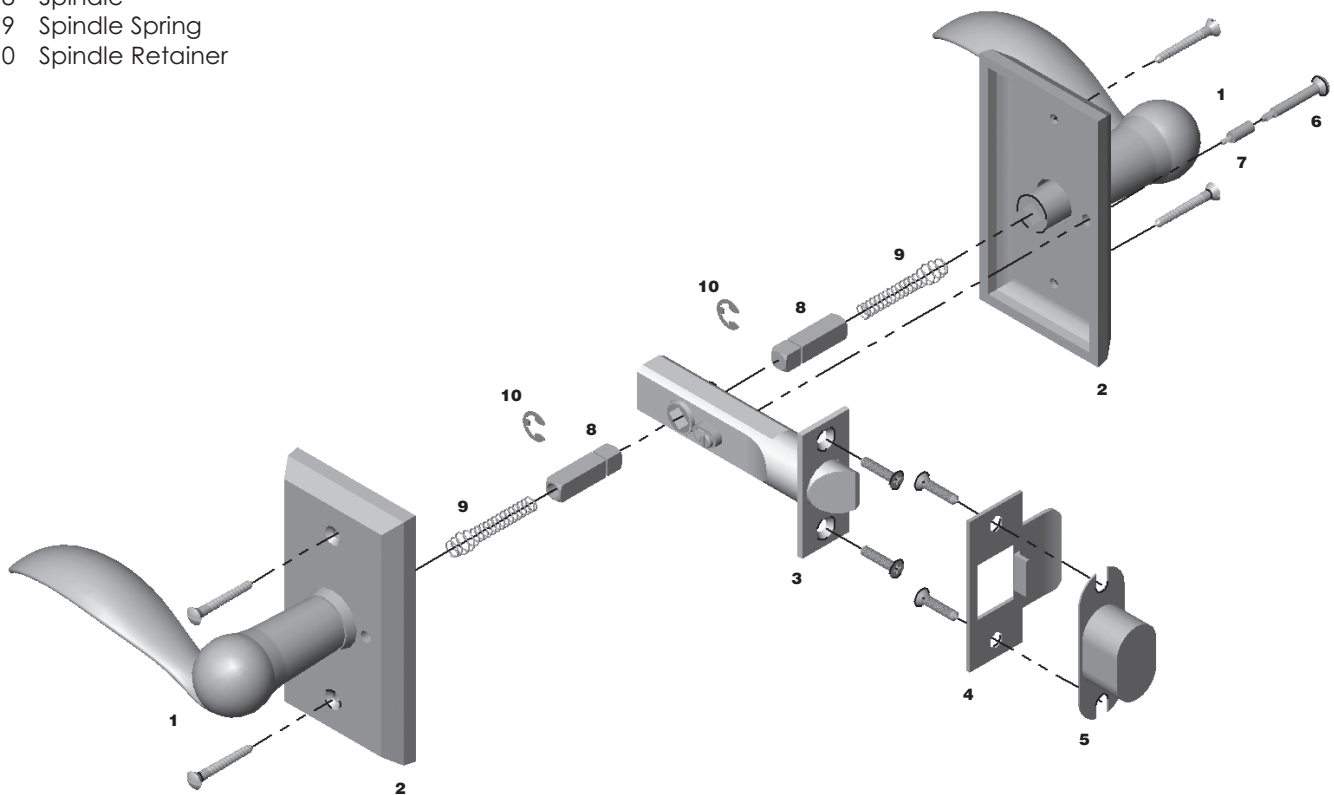


ROCKY MOUNTAIN

H A R D W A R E

Privacy Spring Latch - Lever to Lever

- 1 Lever
- 2 Escutcheon
- 3 Privacy Spring Latch
- 4 T-Strike
- 5 T-Strike Dust Box
- 6 Privacy Button
- 7 Privacy Button Extension
- 8 Spindle
- 9 Spindle Spring
- 10 Spindle Retainer



ROCKY MOUNTAIN

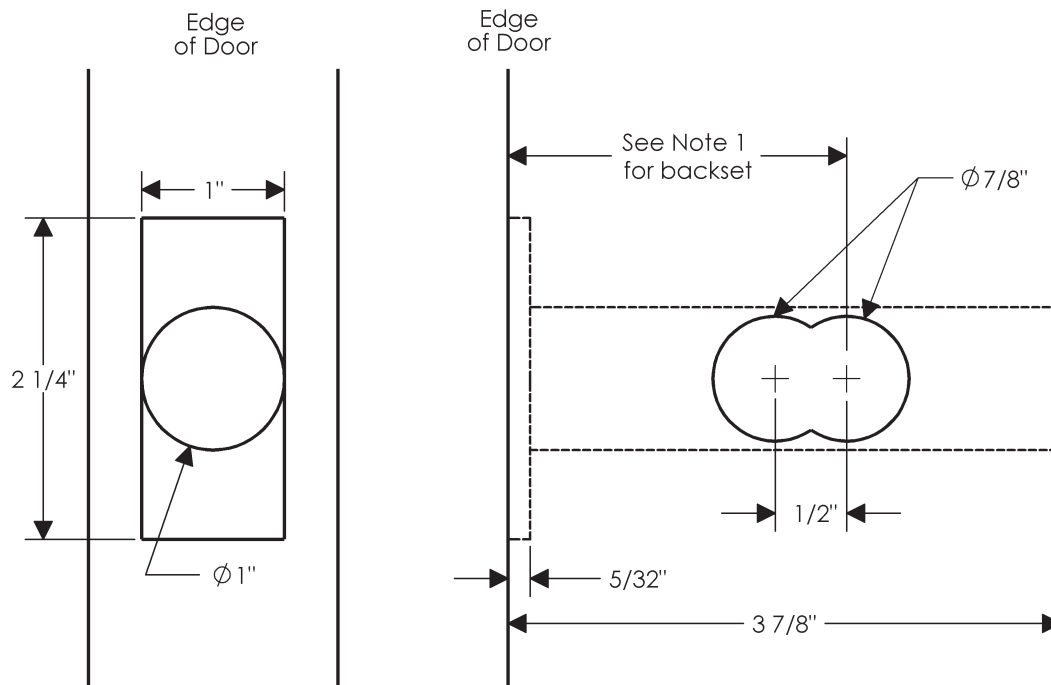
H A R D W A R E

DOOR PREPARATORY SPECIFICATIONS

Privacy Spring Latch - Interior & Exterior

Notes:

1. This bore specification is applicable for 2 3/8" or 2 3/4" backset privacy spring latches.
2. Works for E101, E103, E201, E202, E204, E205, E206, E210, E415, E416, E417, E418, E589, E820, E828, E10520, E10820, E10871, E30303, E30802, and E30803 Escutcheons.
3. This face bore does not work for E10010 or E10015. These escutcheons require a 1 5/8" face bore offset 1/8" down from center of spring latch.



ROCKY MOUNTAIN

H A R D W A R E

DOOR PREPARATORY SPECIFICATIONS

Strike - T-Strike

Notes:

1. This dimension is 1/2 of door thickness, eg., 1 3/4" divided by 2 = 7/8". This dimension will have to be adjusted for different door thicknesses and unusual jamb or door conditions.

