

ROCKY MOUNTAIN

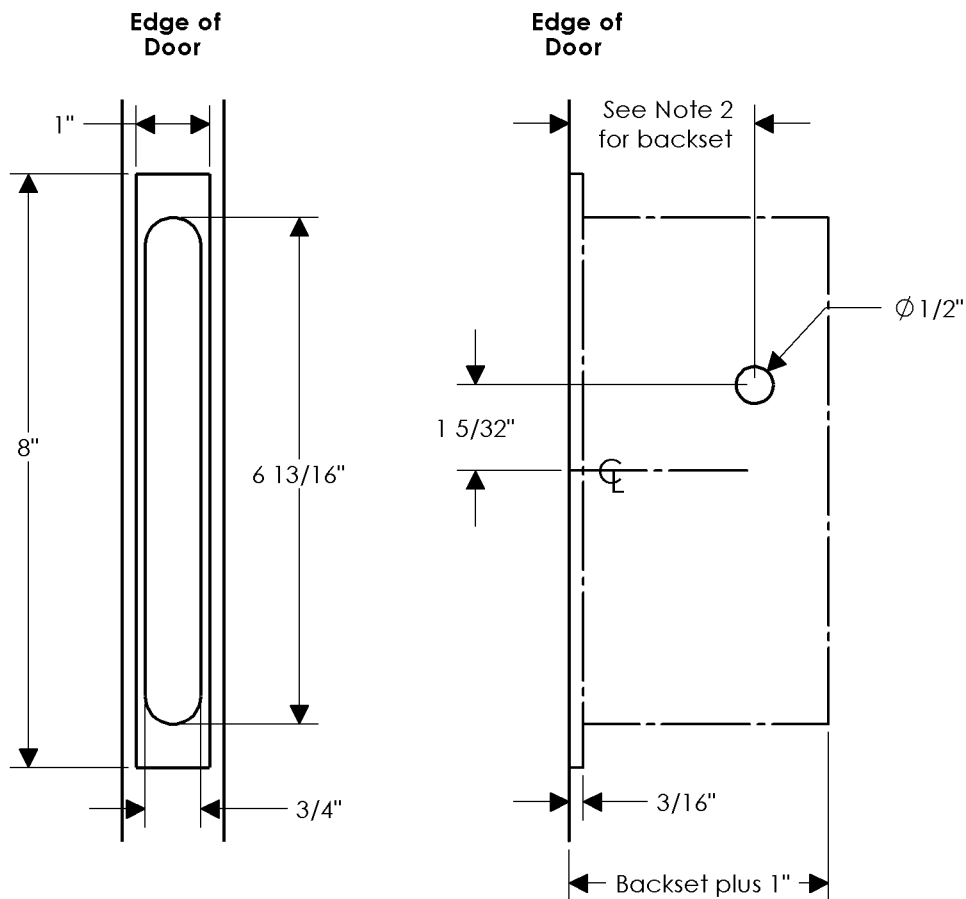
H A R D W A R E

DOOR PREPARATORY SPECIFICATIONS

Privacy Sliding Door Lock 2002 - Interior & Exterior

Notes:

1. Standard location of mortise lock is determined by placing the lever or knob 36" above finish floor. However, this may be adjusted for special applications.
2. This bore specification is applicable for 2 1/2", 2 3/4", 3 3/4", 5" or 6" backset mortise locks.



ROCKY MOUNTAIN

H A R D W A R E

DOOR PREPARATORY SPECIFICATIONS

Strike - 2002 CPDL Sliding Door Lock

Notes:

1. This dimension is 1/2 of door thickness, eg., 1 3/4" divided by 2 = 7/8". This dimension will have to be adjusted for different door thicknesses and unusual jamb or door conditions.

