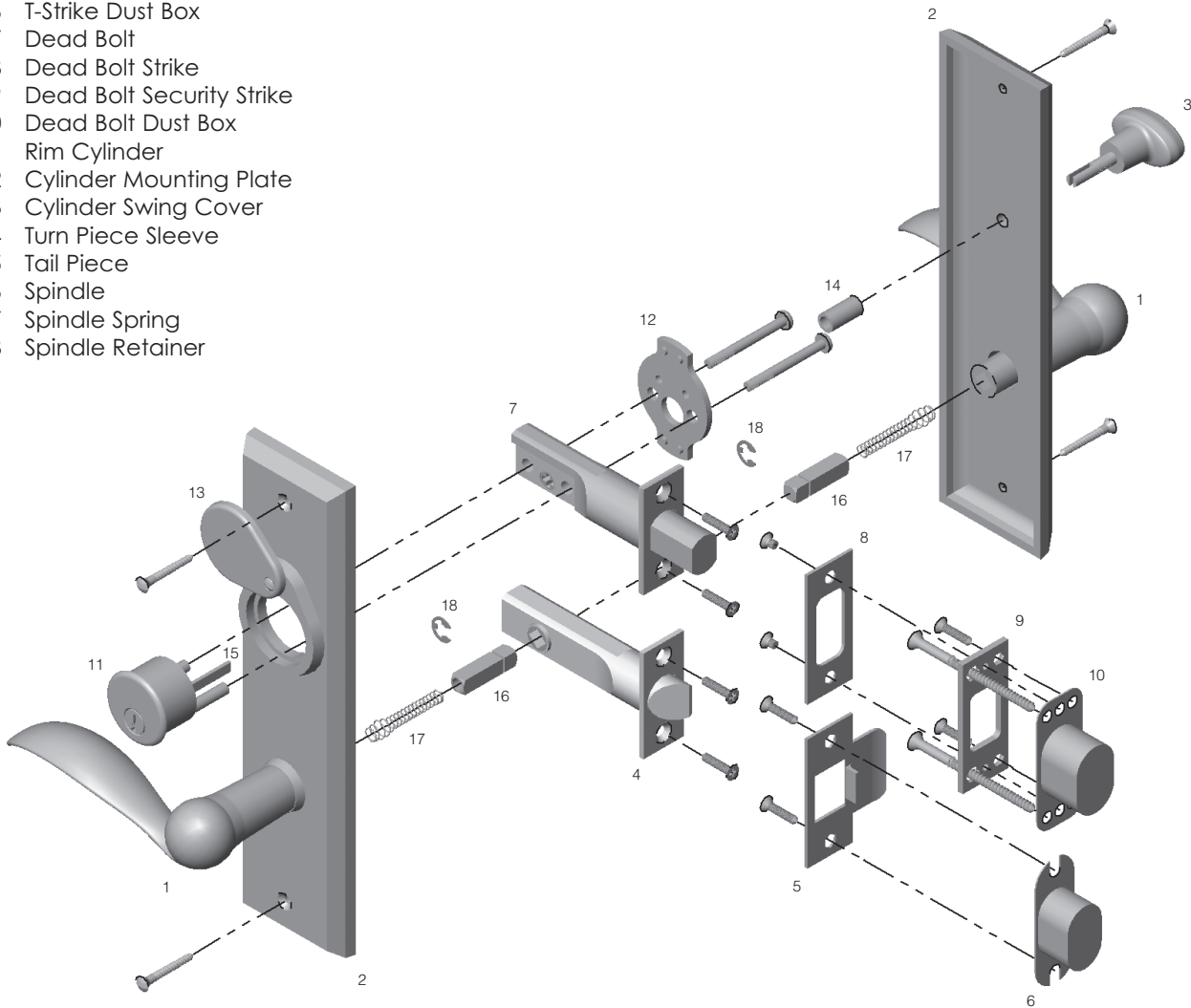


# ROCKY MOUNTAIN

H A R D W A R E

## Entry Spring Latch / Dead Bolt - Lever to Lever

- 1 Lever
- 2 Escutcheon
- 3 Turn Piece
- 4 Spring Latch
- 5 T-Strike
- 6 T-Strike Dust Box
- 7 Dead Bolt
- 8 Dead Bolt Strike
- 9 Dead Bolt Security Strike
- 10 Dead Bolt Dust Box
- 11 Rim Cylinder
- 12 Cylinder Mounting Plate
- 13 Cylinder Swing Cover
- 14 Turn Piece Sleeve
- 15 Tail Piece
- 16 Spindle
- 17 Spindle Spring
- 18 Spindle Retainer



# ROCKY MOUNTAIN

H A R D W A R E

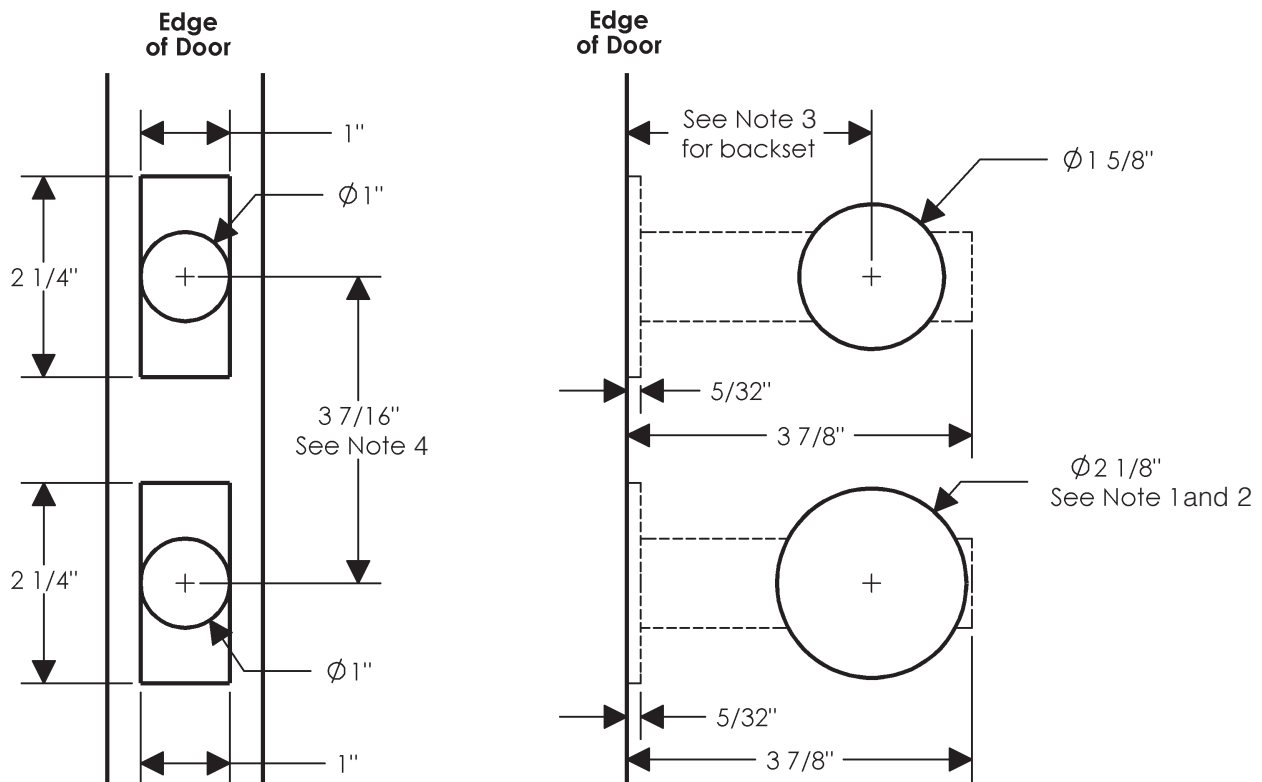
## DOOR PREPARATORY SPECIFICATIONS

### Entry Spring Latch/Dead Bolt - Interior & Exterior

Not Applicable to Edge, Element, or Bluetooth Options

#### Notes:

1. This face bore does not work for E101, E103, E201, E202, E204, E205, E207, E209, E210, E231, E233, E415, E416, E417, E418, E589, E823, E821, E10520, E10820, E30303, E30802, E30803 and E10203. These escutcheons require a 7/8" face bore.
2. This face bore does not work for E10016 or E10018. These escutcheons require a 1 5/8" face bore offset 1/8" down from center of spring latch.
3. This bore specification is applicable for 2 3/8" or 2 3/4" backset spring latches/dead bolts.
4. This center-to-center dimension may change with escutcheon selection.



# ROCKY MOUNTAIN

H A R D W A R E

## DOOR PREPARATORY SPECIFICATIONS

### Strike - Patio and Entry Spring Latch/Dead Bolt

Notes:

1. This dimension is 1/2 of door thickness, eg., 1 3/4" divided by 2 = 7/8". This dimension will have to be adjusted for different door thicknesses and unusual jamb or door conditions.
2. This center-to-center dimension may be changed with escutcheon selection.

