

Sample Order / Cheat Sheet
M Door Accessories 1/4

QUOTE ORDER

NAME: _____

PO# _____

ADDRESS: _____

DELIVERY: _____

ADDRESS: _____



ORDER DATE: _____

OFFICE PHONE: _____

CONTACT: _____

FAX PHONE: _____

JOB NAME: _____

JOB PHONE: _____

HARDWARE WORK ORDER

Toll Free 888.788.2013 or 208.788.2013; Fax 208.788.2577

2002.12.04

LINE NO.	FUNCTION	HANDLE		ESCUTCHEON		METAL	PATINA	HANDING OR LENGTH	BACKSET	DOOR THICKNESS	LOCK TYPE	DEAD BOLT TRIM	DESCRIPTION	LOCATION #	QTY.	PRICE QUOTED
		EXTERIOR	INTERIOR	EXTERIOR	INTERIOR											
1	AC					B	D						DS101		1	\$ 60
2	DBB			E416		W	M								1	\$ 115
3	SB			MB1		W	L	18							1	\$ 516
4	HNG					B	R						4, CAP2, S		1	\$ 220
5	DK			E418		B	M	DK7							1	\$ 642
6	GL	L117	L117	E414	E414	B	D	L	234	134					1	\$ 769
7	CRB-PO	L105	L105	CE409	CE411	B	BB	R	238	214			MB2		1	\$ 3475

FUNCTION
 AC = Accessory
 CB = Cane Bolt
 DBB = Door Bell Button
 DK = Door Knocker
 GL = Gate Latch
 HNG = Door Hinge
 BHNG = Extruded Hinge
 SB = Surface Bolt
 CRB-EN = Cremone Bolt Entry
 CRB-PO = Cremone Bolt Patio
 CRB-PA = Cremone Bolt Passage
 CRB-DU = Cremone Bolt Dummy

HANDLE
 For a list of Levers, Knobs, and Rings available for Gate Latch see next page.
 For specifications, refer to Section A.

ESCUTCHEONS
 For a list of Escutcheons available for Door Accessories, see next page.
 For configurations, specifications, and pricing, refer to content of this section.

METAL
 B = Silicon Bronze
 W = White Bronze

PATINA
 L = Light
 M = Medium
 D = Dark
 R = Rust
 BB = Brushed
 DL = Dark Lustre
 HP = High Polished *
 *Up-charge applies.

HANDING / LENGTH
 See Hinged Door Handing diagram, next page.
 L = Left Hand
 R = Right Hand
 LR = Left Hand Reverse
 RR = Right Hand Reverse

DK4 = Door Knocker, 4"
 DK5 = Door Knocker, 5"
 DK7 = Door Knocker, 7"
 DK8 = Door Knocker, 8"

BACKSET
 234 = 2 3/4" DB
 238 = 2 3/8" DB

DOOR THICKNESS
 138 = 13/8"
 112 = 11/2"
 134 = 13/4"
 178 = 17/8"
 2 = 2"
 214 = 2 1/4"

Up-charge for sizes below.
 Call for pricing.
 212 = 2 1/2"
 258 = 25/8"
 234 = 23/4"
 3 = 3"
 314 = 3 1/4"
 312 = 3 1/2"
 4 = 4"
 N = No

LOCK TYPE
 DB = Dead Bolt
 DD = Double Cylinder Dead Bolt

DEAD BOLT TRIM
 Not Applicable

DESCRIPTION
 See pages Mii - Miv for options

LOCATION #
 Room Number or Door Number, etc.

QTY
 Number of each desired

PRICE
 \$ List price each

Sample Order / Cheat Sheet

M Door Accessories 3/4

DESCRIPTION**Bracket Style for Surface Bolts**

MB1	= Surface Bolt, Oval Mounting Brackets
MB2	= Surface Bolt, Sq. Mounting Brackets
MB3	= Mini Surface Bolt, Sq. Mounting Brackets
MB7	= Surface Bolt, Rect. Mounting Brackets
MB8	= Surface Bolt, Rect. Mounting Brackets
MB9	= Surface Bolt, Oval Mounting Brackets
MB12	= Surface Bolt, Rect. Mounting Brackets
MB14	= Surface Bolt, Briggs Mounting Brackets
DDB7	= Dutch Door Bolt, Rect. Mounting Brackets

Riser Plates for Surface Bolts

MBR1	= Oval Riser Plate 3" x 2 15/16"
MBR2	= Square Riser Plate 2 3/4" x 2 3/4"

Strikes for Surface Bolts

SB2MS	= Surface Bolt Strike, 3" x 1 7/16"
SB2AS	= Surface Bolt Strike, 3" x 1 3/8" with lip
SB4MS	= Mini Surface Bolt Strike, 1 3/8" x 1 1/16"
SB7AS	= Surface Bolt Strike, 1 1/2" x 1" with lip

7/8" Barrel Hinges

HNG3.5	= Concealed Bearing Hinge, 3 1/2" x 3 1/2"
HNG4	= Concealed Bearing Hinge, 4" x 4"
HNGWT4x5	= Concealed Bearing Hinge, 4" x 5"
HNGWT4x6	= Concealed Bearing Hinge, 4" x 6"
HNG4.5	= Concealed Bearing Hinge, 4 1/2" x 4 1/2"
HNG5	= Concealed Bearing Hinge, 5" x 5"
HNGWT5x6	= Concealed Bearing Hinge, 5" x 6"
HNGWT5x7	= Concealed Bearing Hinge, 5" x 7"
HNG6x4.5	= Concealed Bearing Hinge, 6" x 4 1/2"
HNG6	= Concealed Bearing Hinge, 6" x 6"
HNGWT6x7	= Concealed Bearing Hinge, 6" x 7"
HNG7x5	= Concealed Bearing Hinge, 7" x 5"
HNG7x6	= Concealed Bearing Hinge, 7" x 6"
PHNG8.5x5	= Paumelle Hinge, 8 1/2" x 5"
PHNG8.5x6.125	= Paumelle Hinge, 8 1/2" x 6 1/8"

5/8" Barrel Hinges

HNG3A	= Concealed Bearing Hinge, 3" x 3"
HNG3.5A	= Concealed Bearing Hinge, 3 1/2" x 3 1/2"
HNGWT3.5x5A	= Concealed Bearing Hinge, 3 1/2" x 5"
HNG4A	= Concealed Bearing Hinge, 4" x 4"

5/8" Barrel Hinges (continued)

HNGWT4x5A	= Concealed Bearing Hinge, 4" x 5"
HNGWT4x6A	= Concealed Bearing Hinge, 4" x 6"
HNGWT4x7A	= Concealed Bearing Hinge, 4" x 7"
HNG4.5x4A	= Concealed Bearing Hinge, 4 1/2" x 4"
HNG4.5A	= Concealed Bearing Hinge, 4 1/2" x 4 1/2"
HNGWT4.5x6A	= Concealed Bearing Hinge, 4 1/2" x 6"
HNG5A	= Concealed Bearing Hinge, 5" x 5"
HNG6x4.5A	= Concealed Bearing Hinge, 6" x 4 1/2"
PHNG5x3	= Paumelle Hinge, 5" x 3"

1/2" Barrel Extruded Hinges

HNG3.5B	= Plain Bearing Extruded Hinge, 3 1/2" x 3 1/2"
HNG4B	= Plain Bearing Extruded Hinge, 4" x 4"
HNG4.5B	= Plain Bearing Extruded Hinge, 4 1/2" x 4 1/2"

Finial Caps

CAP1	= Finial Cap, 7/8" Standard
CAP2	= Finial Cap, 7/8" Ball
CAP3	= Finial Cap, 7/8" Dome
CAP4	= Finial Cap, 7/8" Steeple
CAP5	= Finial Cap, 7/8" Acorn
CAP6	= Finial Cap, 5/8" Standard
CAP7	= Finial Cap, 5/8" Ball
CAP8	= Finial Cap, 5/8" Dome
CAP9	= Finial Cap, 5/8" Acorn
CAP10	= Finial Cap, 5/8" Steeple
XT50	= Finial Cap, 1/2" Standard
BT50	= Finial Cap, 1/2" Ball
AT50	= Finial Cap, 1/2" Acorn

Screws

S	= Slotted Hinge Screw
P	= Phillips Hinge Screw

Strap Hinges

SHNG12	= Strap Hinge, 12"
SHNG5.5	= Strap Hinge, 5 1/2"
SHNG20	= Strap Hinge, 20"
SHNG105	= Strap Hinge, 10 1/2"

Hook & Eyes

HE4S	= Hook & Eye—Straight, 4"
HE6S	= Hook & Eye—Straight, 6"
HE9S	= Hook & Eye—Straight, 9"
HE12S	= Hook & Eye—Straight, 12"
HE20S	= Hook & Eye—Straight, 20"

Ornamental Hinge Straps

OHS106	= Ornamental Hinge Strap, 6"
OHS112	= Ornamental Hinge Strap, 12"
OHS116	= Ornamental Hinge Strap, 16"
OHS118	= Ornamental Hinge Strap, 18"
OHS121	= Ornamental Hinge Strap, 21"
OHS124	= Ornamental Hinge Strap, 24"

Ornamental Hinge Straps (continued)

OHS130	= Ornamental Hinge Strap, 30"
OHS137	= Ornamental Hinge Strap, 37"
OHS148	= Ornamental Hinge Strap, 48"
OHS218	= Ornamental Hinge Strap, 4" x 18"
OHS254	= Ornamental Hinge Strap, 2 1/2" x 24"
OHS256	= Ornamental Hinge Strap, 2 1/2" x 36"
OHS324	= Ornamental Hinge Strap, 3 1/4" x 24"
OHS329	= Ornamental Hinge Strap, 3 1/4" x 29"
OHS332	= Ornamental Hinge Strap, 3 1/4" x 32"
OHS348	= Ornamental Hinge Strap, 3 1/4" x 48"
OHS375	= Ornamental Hinge Strap, 2 1/2" x 3 7/8"
OHS414S	= Ornamental Hinge Strap, 4" x 14"
OHS423S	= Ornamental Hinge Strap, 4" x 23"
OHS627S	= Ornamental Hinge Strap, 6" x 27"
OHS629S	= Ornamental Hinge Strap, 6" x 29"
OHS634S	= Ornamental Hinge Strap, 6" x 34"
OHS640S	= Ornamental Hinge Strap, 6" x 40"

Door Corner Brackets

DCT200	= Door Corner Bracket, 2" x 2"
DCT300	= Door Corner Bracket, 3" x 3"
DCT600	= Door Corner Bracket, 6" x 6"

Kick Plates

KP434	= Kick Plate, 4" x 34"
KP526	= Kick Plate, 5" x 26"
KP528	= Kick Plate, 5" x 28"
KP538	= Kick Plate, 5" x 38"
KP628	= Kick Plate, 6" x 28"
KP631	= Kick Plate, 6" x 31"
KP634	= Kick Plate, 6" x 34"
KP635	= Kick Plate, 6" x 35"
KP726	= Kick Plate, 7" x 26"
KP731	= Kick Plate, 7" x 31"
KP740	= Kick Plate, 7" x 40"
KP743	= Kick Plate, 7" x 43"
KP822	= Kick Plate, 8" x 22"
KP824	= Kick Plate, 8" x 24"
KP828	= Kick Plate, 8" x 28"
KP834	= Kick Plate, 8" x 34"
KP836*	= Kick Plate, 8" x 36"
KP840	= Kick Plate, 8" x 40"
KP842	= Kick Plate, 8" x 42"
KP844	= Kick Plate, 8" x 44"
KP846	= Kick Plate, 8" x 46"
KP1034	= Kick Plate, 10" x 34"
KP1035*	= Kick Plate, 10" x 35"
KP1039	= Kick Plate, 10 1/2" x 39 1/2"
KP1234	= Kick Plate, 12" x 34"
KP1236*	= Kick Plate, 12" x 36"
KP1240	= Kick Plate, 12" x 40"
KP1242.5	= Kick Plate, 12" x 42 1/2"

*Kick Plates without beveled edge

Sample Order / Cheat Sheet

M Door Accessories 4/4

DESCRIPTION (continued)**Door Clavos**

- DC1 = Door Clavos, 11/4" x 11/4"
 DC2 = Door Clavos, 7/8" x 7/8"
 DC3 = Door Clavos, 11/4" Round
 DC4 = Door Clavos, 13/4" Round
 DC5 = Door Clavos, 3/8" x 3/8"
 DC6 = Door Clavos, 11/4" x 11/4"
 DC7 = Door Clavos, 7/8" x 7/8"
 DC8 = Door Clavos, 2" x 2"

Door Stops

- DS101 = Door Stop—Baseboard, 3 7/16"
 DS141 = Door Stop—Baseboard, 4 7/16"
 DS201 = Door Stop—Floor, 15/8"
 DS205 = Door Stop—Magnetic, 2 1/2"
 DS230 = Door Stop—Floor, 2 1/4"
 DS232 = Door Stop—Floor, 4 1/2"
 DS235 = Door Stop—Magnetic, 2 1/2"
 DSH201 = Door Stop—Holder, 5 1/16"
 DSH301 = Door Stop—Holder, 3 15/16"
 DSH401 = Door Stop—Wedge, 5"
 DSH205 = Door Stop—Magnetic, 2 1/4"
 DSH235 = Door Stop—Magnetic, 3"

Slide Locks

- SL230 = Slide Lock, 3 1/4"

Flush Bolts

- FB112 = Flush Bolt, 12"
 FB118 = Flush Bolt, 18"
 FB124 = Flush Bolt, 24"
 FB130 = Flush Bolt, 30"

Edge Flush Bolts

- FB105 = Edge Flush Bolt, 48"

Door Guards

- DG1 = Door Guard

Roller Latch

- RL10 = Roller Latch, 1" x 3 3/8"

Keypad Entry System

- KEY400 = 3 1/2" x 4 5/8" Rect
 KEY300 = 3 1/2" x 4 5/8" Stepped
 KEY200 = 3 1/2" x 4 5/8" Metro
 KEY700 = 3 1/2" x 5 3/4" Arched
 KEY500 = 3 1/2" x 4 5/8" Curved

Door Track System

- TRK100 = 102" Single Track
 TRK110 = 149 1/4" Double Track

Options for "DESCRIPTION" column (pg M)**Leather Options**

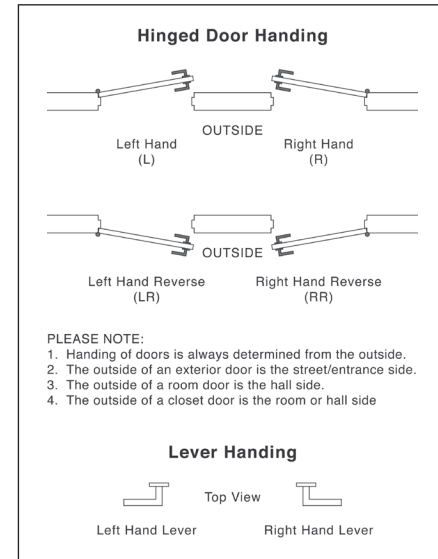
- LBK = Black Leather
 LBT = Brown Tapestry Leather
 LBW = Brown Weave Leather
 LCH = Chocolate Leather
 LHA = Hazelnut Leather
 LSP = Spice Leather
 LWH = White Leather
 LWI = Wine Leather

Bronze Insert Options

- BTW = Weave Insert
 BFL = Flower Insert
 BTD = Tide Insert
 BWD = Wood Insert
 BBR = Branch Insert
 BBA = Basic Insert
 BTF = Tuft Insert
 BRT = Flute Insert

Edge Collection Options

- ETW = Weave
 EWD = Wood
 EBA = Basic
 ETD = Tide
 EWR = Wire
 EMS = Mooncape

HANDING

Cremone Bolt Information

(NOTE: TAKE ALL DIMENSIONS FROM SIDE OF DOOR THAT CREMONE WILL BE MOUNTED)

1. INSWING or OUTSWING _____

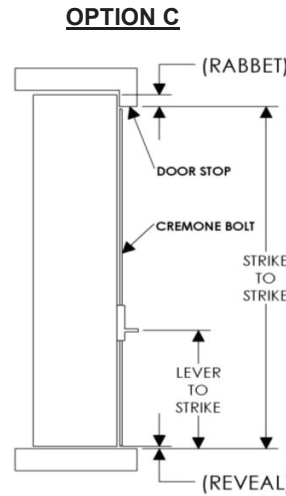
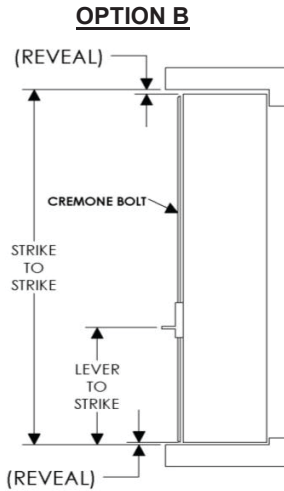
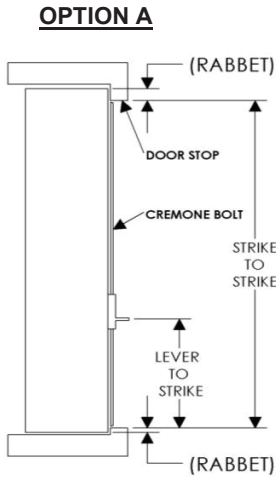
2. Cremone bolt to be mounted on double doors? Yes No

3. Lever Height From Top Face of Strike (see sketch) _____ (Inches)

4. Strike to Strike Distance (see sketch) _____ (Inches)

5. Door Height _____ (Inches)

6. Select correct door option (see sketch). Supply required reveal or rabbet.
Please circle: (option a, b, c)

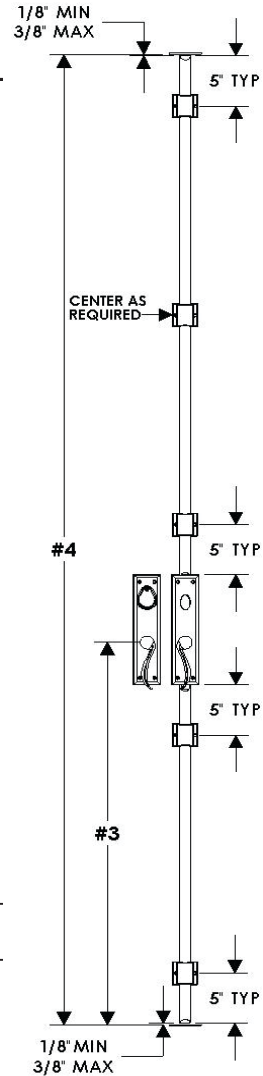


OPTION A
Top rabbet _____
Bottom rabbet _____

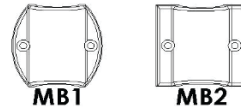
OPTION B
Top reveal _____
Bottom reveal _____

OPTION C
Top rabbet _____
Bottom reveal _____

OPTION A: STRIKE TO STRIKE = DOOR HEIGHT - TOP RABBET - BOTTOM RABBET
OPTION B: STRIKE TO STRIKE = DOOR HEIGHT + TOP REVEAL + BOTTOM REVEAL
OPTION C: STRIKE TO STRIKE = DOOR HEIGHT - TOP RABBET + BOTTOM REVEAL



8. Mounting Bracket Style _____ (ex. MB1 or MB2)



9. Strike Style _____



Guidelines & Notes:

1. Cremone bolt throw on either end is 7/8".
2. Lever position will be vertical in the unlocked position (as shown) and horizontal in the locked position.
3. Locking double door configuration is as follows: active panel-cremone is operated by interior or exterior lever. Inactive panel-cremone is operated by interior lever only (exterior lever dummied). The deadbolt locks active panel to inactive panel. Cremone bolts act independently of deadbolt latch.
4. Lever height and escutcheon thickness are unique to Cremone escutcheon.

Double Barn Door Track Required Information

- Proper header must be installed for full length of track.
- We recommend a flush pull on interior side of door. If an interior grip is desired verify adequate clearance in open position.

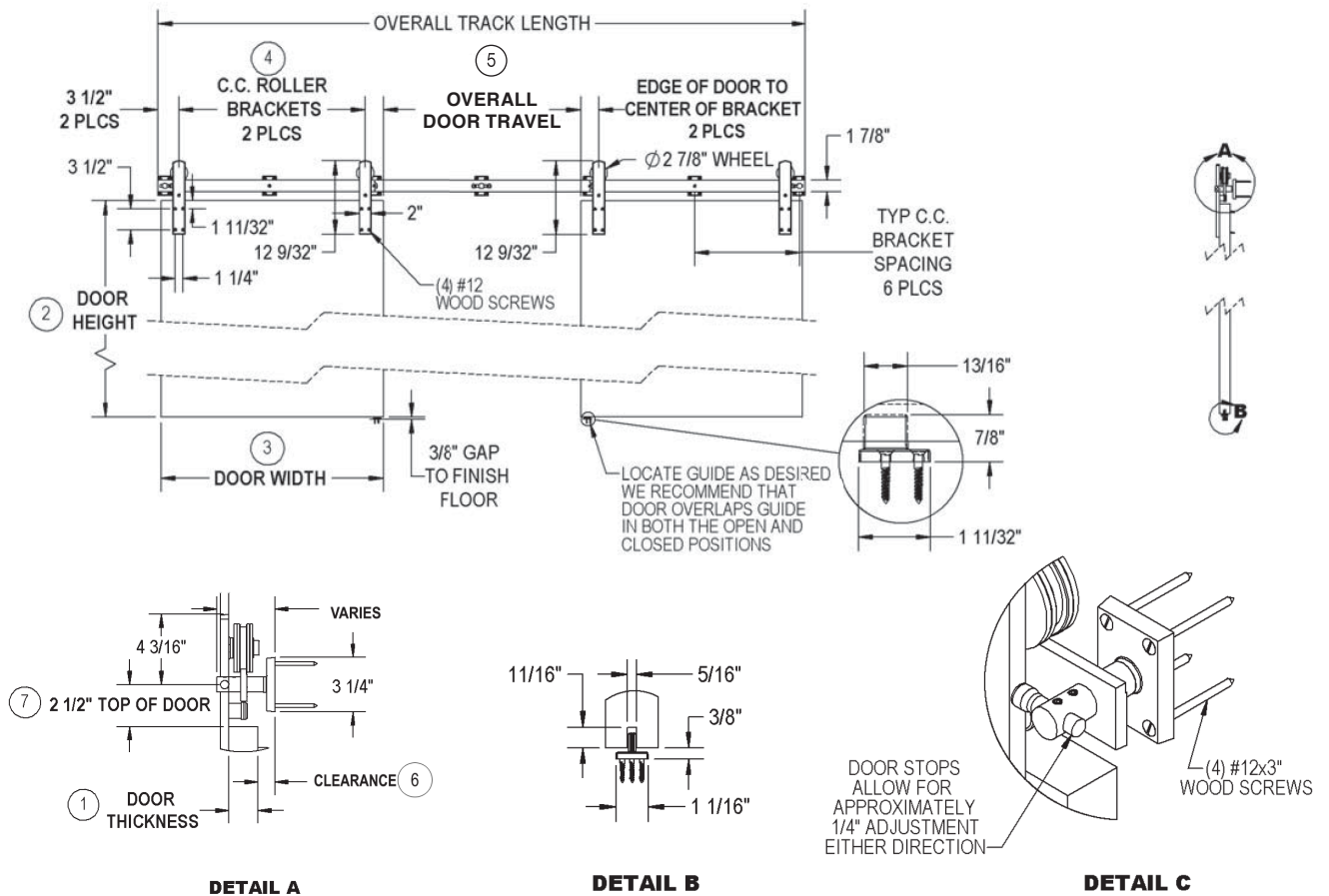
Provide the following information in order to receive a customized drawing for client final approval.

★ (Required Field)

- ★ 1. Door Thickness _____
- 2. Door Height _____
- ★ 3. Door Width _____
- ★ 4. C to C distance of roller brackets (typically centered on door stile) _____
- ★ 5. Overall door travel: For both doors (travel for each door should be 1" less than door width to ensure door does not come off floor guide) _____
- 6. Clearance between door and mounting surface (see Detail A, 1" unless otherwise specified (3/8" minimum)) _____
- 7. Center line of mounting brackets to top of door (see Detail A, 2 1/2" unless otherwise specified (2 1/8" min, 3 1/2" max)) _____

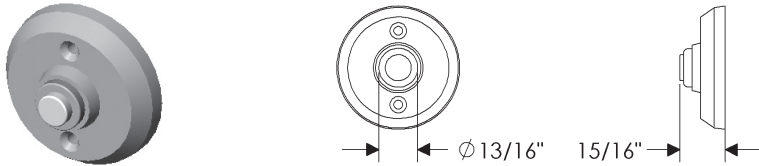
Note to determine overall track length:

$$\text{LINE \#4 (x2)} + \text{LINE \#5} + \text{(LINE \#3 - LINE \#4)} + 7 \text{ INCHES} = \text{OVERALL TRACK LENGTH}$$



- Product is shown with E417 Round Escutcheon for illustration purposes only. Refer to Section B for escutcheon styles and specifications.
- Specify escutcheon style, metal, leather or texture, and patina.
- These escutcheons (E101 and E103) require a leather or texture choice. Please refer to page Mi for leather and texture options, visit our website, or brochure for details.

Door Bell Buttons



DBB Door Bell Button

with EW005 Ellis Escutcheon	
1 1/2" x 4 1/2"	\$ 178
with E005 Ellis Escutcheon	
3" x 5"	\$ 224
with E101 Round Designer Escutcheon*	
3 1/2"	\$ 366
with E103 Square Designer Escutcheon*	
3" x 3"	\$ 327
with E153 Edge Escutcheon	
2" x 3"	\$ 124
with EW105 Rectangular Escutcheon	
1 1/2" x 3"	\$ 90
with EW108 Rectangular Escutcheon	
1 1/2" x 4 1/2"	\$ 103
with E201 Round Metro Escutcheon	
2 1/4"	\$ 113
with E202 Round Metro Escutcheon	
3 1/2"	\$ 142
with E204 Square Metro Escutcheon	
2 1/4" x 2 1/4"	\$ 115
with E205 Metro Escutcheon	
2 1/4" x 3 1/4"	\$ 124
with E236 Metro Escutcheon	
2 1/2" x 4 1/2"	\$ 124
with EW202 Metro Escutcheon	
1 1/2" x 4 1/2"	\$ 103
with E300 Stepped Escutcheon	
2 1/2" x 3 3/4"	\$ 117
with E304 Stepped Escutcheon	
2 1/2" x 4 1/2"	\$ 124
with EW308 Stepped Escutcheon	
1 1/2" x 4 1/2"	\$ 103
with E400 Rectangular Escutcheon	
2 1/2" x 3 3/4"	\$ 117
with E414 Rectangular Escutcheon	
2 1/2" x 4 1/2"	\$ 124

with E415 Diamond Escutcheon

3 9/16" x 3 9/16" \$ 115

with E416 Square Escutcheon

2 5/8" x 2 5/8" \$ 115

with E417 Round Escutcheon

2 1/2" \$ 113

with E418 Round Escutcheon

3 1/4" \$ 127

with E500 Curved Escutcheon

2 1/2" x 3 3/4" \$ 117

with E501 Oval Escutcheon

2 5/8" x 5 1/4" \$ 129

with E504 Curved Escutcheon

2 1/2" x 4 1/2" \$ 124

with EW508 Curved Escutcheon

1 1/2" x 4 1/2" \$ 103

with E589 Round Maddox Escutcheon

3 1/8" \$ 178

with E700 Arched Escutcheon

2 1/2" x 3 3/4" \$ 117

with E701 Arched Escutcheon

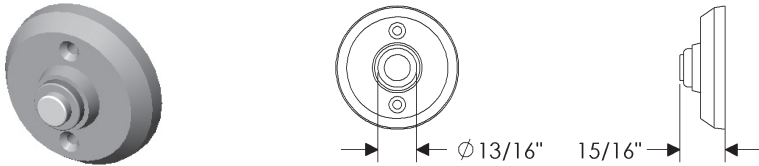
2 1/2" x 5 1/2" \$ 158

*Require leather or texture choices.

(See following page for additional options)

- Product is shown with E417 Round Escutcheon for illustration purposes only. Refer to Section B for escutcheon styles and specifications.
- Specify escutcheon style, metal, leather or texture, and patina.
- These escutcheons (E101 and E103) require a leather or texture choice. Please refer to page Mi for leather and texture options, visit our website, or brochure for details.

Door Bell Buttons



DBB Door Bell Button (continued)

with EW705 Arched Escutcheon 1 1/2" x 3"	\$ 90
with EW708 Arched Escutcheon 1 1/2" x 4 1/2"	\$ 103
with E828 Fleur de Lis Escutcheon 2" x 8"	\$ 174
with E10155 Oasis Escutcheon 3" x 4 1/4"	\$ 124
with E10203 Square Oasis Escutcheon 2 1/2" x 2 1/2"	\$ 115
with E10205 Oasis Escutcheon 2 1/2" x 4 1/2"	\$ 124
with E10820 Round Briggs Escutcheon 2 1/2"	\$ 113
with E10800 Briggs Escutcheon 2 3/8" x 7"	\$ 174
with E21005 Mack Escutcheon 2 1/2" x 4 1/2"	\$ 124
with E30303 Trousdale Escutcheon 3" x 3"	\$ 178
with E30305 Trousdale Escutcheon 3" x 6"	\$ 249
with E30403 Hammered Escutcheon 2 1/2" x 4 1/2"	\$ 124
with EW30500 Convex Escutcheon 1 1/2" x 3 3/4"	\$ 178
with E30503 Convex Escutcheon 2 1/2" x 4 1/2"	\$ 224
with EW30600 Corbel Arched Escutcheon 1 1/2" x 3 3/4"	\$ 178
with E30603 Corbel Arched Escutcheon 2 1/2" x 4 1/2"	\$ 224
with EW30700 Corbel Rectangular Escutcheon 1 1/2" x 3 3/4"	\$ 178
with E30703 Corbel Rectangular Escutcheon 2 1/2" x 4 1/2"	\$ 224

with E30802 Round Bordeaux Escutcheon

2 1/2" \$ 178

with E30803 Round Bordeaux Escutcheon

3 1/4" \$ 178

with E30804 Bordeaux Escutcheon

2 1/2" x 4 1/2" \$ 224

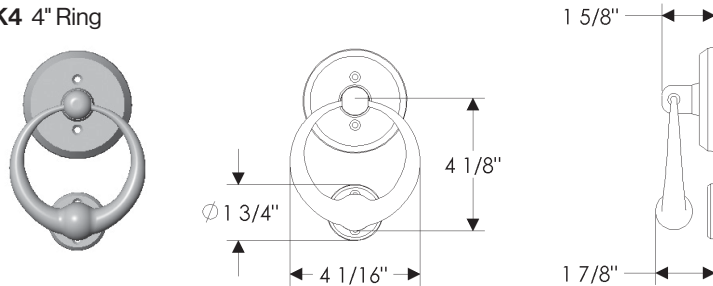
with E30806 Oval Bordeaux Escutcheon

2 1/2" x 5 1/2" \$ 224

- Combination shown with E418 Round Escutcheon for illustration purposes only. Refer to Section B for escutcheon styles and specifications.
- Specify escutcheon style, metal, leather or texture, and patina.
- These escutcheons (E101 and E103) require a leather or texture choice. Please refer to page Mi for leather and texture options, visit our website, or brochure for details.

Door Knockers

DK4 4" Ring



DK4 4" Ring

with E101 Round Designer Escutcheon*	
3 1/2"	\$ 596
with E103 Square Designer Escutcheon*	
3" x 3"	\$ 567
with E153 Edge Escutcheon	
2" x 3"	\$ 363
with E201 Round Metro Escutcheon	
2 1/4"	\$ 354
with E202 Round Metro Escutcheon	
3 1/2"	\$ 384
with E204 Square Metro Escutcheon	
2 1/4" x 2 1/4"	\$ 357
with E205 Metro Escutcheon	
2 1/4" x 3 1/4"	\$ 363
with E236 Metro Escutcheon	
2 1/2" x 4 1/2"	\$ 363
with E300 Stepped Escutcheon	
2 1/2" x 3 3/4"	\$ 359
with E304 Stepped Escutcheon	
2 1/2" x 4 1/2"	\$ 363
with E400 Rectangular Escutcheon	
2 1/2" x 3 3/4"	\$ 359
with E414 Rectangular Escutcheon	
2 1/2" x 4 1/2"	\$ 363
with E415 Diamond Escutcheon	
3 9/16" x 3 9/16"	\$ 357
with E416 Square Escutcheon	
2 5/8" x 2 5/8"	\$ 357
with E417 Round Escutcheon	
2 1/2"	\$ 354
with E418 Round Escutcheon	
3 1/4"	\$ 368
with E500 Curved Escutcheon	
2 1/2" x 3 3/4"	\$ 359

with E504 Curved Escutcheon

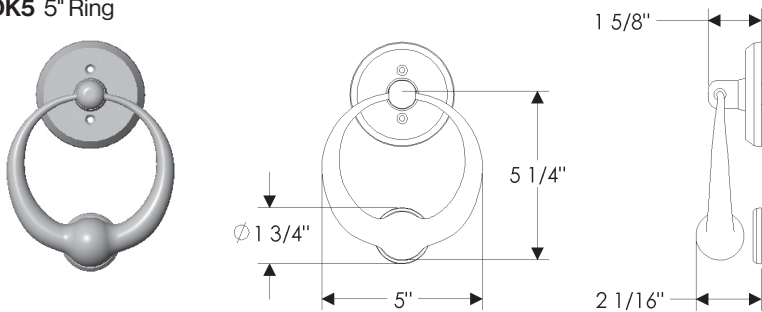
2 1/2" x 4 1/2"	\$ 363
with E589 Round Maddox Escutcheon	
3 1/8"	\$ 420
with E700 Arched Escutcheon	
2 1/2" x 3 3/4"	\$ 359
with E10155 Oasis Escutcheon	
3" x 4 1/4"	\$ 363
with E10203 Square Oasis Escutcheon	
2 1/2" x 2 1/2"	\$ 357
with E10205 Oasis Escutcheon	
2 1/2" x 4 1/2"	\$ 363
with E10820 Round Briggs Escutcheon	
2 1/2"	\$ 354
with E21005 Mack Escutcheon	
2 1/2" x 4 1/2"	\$ 363
with E30303 Trousdale Escutcheon	
3" x 3"	\$ 420
with E30403 Hammered Escutcheon	
2 1/2" x 4 1/2"	\$ 363
with E30503 Convex Escutcheon	
2 1/2" x 4 1/2"	\$ 465
with E30603 Corbel Arched Escutcheon	
2 1/2" x 4 1/2"	\$ 465
with E30703 Corbel Rectangular Escutcheon	
2 1/2" x 4 1/2"	\$ 465
with E30802 Round Bordeaux Escutcheon	
2 1/2"	\$ 420
with E30803 Round Bordeaux Escutcheon	
3 1/4"	\$ 420
with E30804 Bordeaux Escutcheon	
2 1/2" x 4 1/2"	\$ 465

* Require leather or texture choices.

- Combination shown with E418 Round Escutcheon for illustration purposes only. Refer to Section B for escutcheon styles and specifications.
- Specify escutcheon style, metal, leather or texture, and patina.
- These escutcheons (E101 and E103) require a leather or texture choice. Please refer to page Mi for leather and texture options, visit our website, or brochure.

Door Knockers

DK5 5" Ring



DK5 5" Ring

with E005 Ellis Escutcheon	
3" x 5"	\$ 490
with E101 Round Designer Escutcheon*	
3 1/2"	\$ 620
with E103 Square Designer Escutcheon*	
3" x 3"	\$ 592
with E153 Edge Escutcheon	
2" x 3"	\$ 390
with E201 Round Metro Escutcheon	
2 1/4"	\$ 379
with E202 Round Metro Escutcheon	
3 1/2"	\$ 409
with E204 Square Metro Escutcheon	
2 1/4" x 2 1/4"	\$ 381
with E205 Metro Escutcheon	
2 1/4" x 3 1/4"	\$ 390
with E236 Metro Escutcheon	
2 1/2" x 4 1/2"	\$ 390
with E300 Stepped Escutcheon	
2 1/2" x 3 3/4"	\$ 384
with E304 Stepped Escutcheon	
2 1/2" x 4 1/2"	\$ 390
with E400 Rectangular Escutcheon	
2 1/2" x 3 3/4"	\$ 384
with E414 Rectangular Escutcheon	
2 1/2" x 4 1/2"	\$ 390
with E415 Diamond Escutcheon	
3 9/16" x 3 9/16"	\$ 381
with E416 Square Escutcheon	
2 5/8" x 2 5/8"	\$ 381
with E417 Round Escutcheon	
2 1/2"	\$ 379
with E418 Round Escutcheon	
3 1/4"	\$ 393

with E500 Curved Escutcheon

2 1/2" x 3 3/4"	\$ 384
with E501 Oval Escutcheon	
2 5/8" x 5 1/4"	\$ 395
with E504 Curved Escutcheon	
2 1/2" x 4 1/2"	\$ 390
with E589 Round Maddox Escutcheon	
3 1/8"	\$ 445
with E700 Arched Escutcheon	
2 1/2" x 3 3/4"	\$ 384
with E701 Arched Escutcheon	
2 1/2" x 5 1/2"	\$ 424
with E10155 Oasis Escutcheon	
3" x 4 1/4"	\$ 390
with E10203 Square Oasis Escutcheon	
2 1/2" x 2 1/2"	\$ 381
with E10205 Oasis Escutcheon	
2 1/2" x 4 1/2"	\$ 390
with E10820 Round Briggs Escutcheon	
2 1/2"	\$ 379

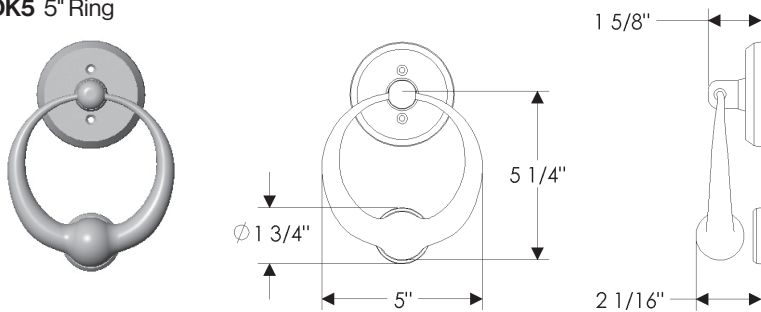
* Require leather or texture choices.

(See following page for additional options)

- Combination shown with E418 Round Escutcheon for illustration purposes only. Refer to Section B for escutcheon styles and specifications.
- Specify escutcheon style, metal, leather or texture, and patina.
- These escutcheons (E101 and E103) require a leather or texture choice. Please refer to page Mi for leather and texture options, visit our website, or brochure.

Door Knockers

DK5 5" Ring



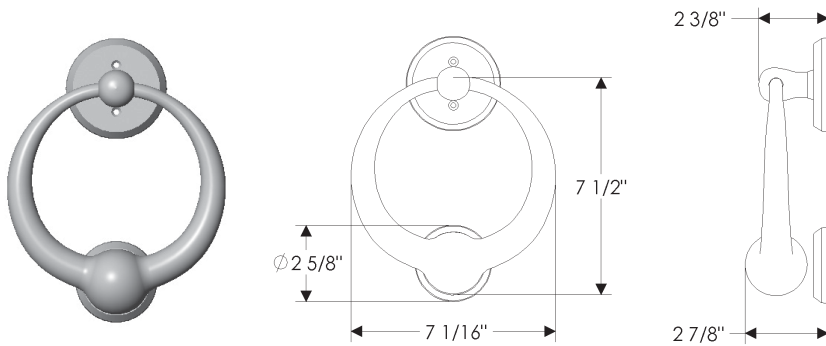
DK5 5" Ring (continued)

with E21005 Mack Escutcheon	
2 1/2" x 4 1/2".....	\$ 390
with E30303 Trousdale Escutcheon	
3" x 3".....	\$ 445
with E30403 Hammered Escutcheon	
2 1/2" x 4 1/2".....	\$ 390
with E30503 Convex Escutcheon	
2 1/2" x 4 1/2".....	\$ 490
with E30603 Corbel Arched Escutcheon	
2 1/2" x 4 1/2".....	\$ 490
with E30703 Corbel Rectangular Escutcheon	
2 1/2" x 4 1/2".....	\$ 490
with E30802 Round Bordeaux Escutcheon	
2 1/2".....	\$ 445
with E30803 Round Bordeaux Escutcheon	
3 1/4".....	\$ 445
with E30804 Bordeaux Escutcheon	
2 1/2" x 4 1/2".....	\$ 490
with E30806 Oval Bordeaux Escutcheon	
2 1/2" x 5 1/2".....	\$ 490

- Combination shown with E418 Round Escutcheon for illustration purposes only. Refer to Section B for escutcheon styles and specifications.
- Specify escutcheon style, metal, leather or texture, and patina.
- These escutcheons (E101 and E103) require a leather or texture choice. Please refer to page Mi for leather and texture options, visit our website, or brochure for details.

Door Knockers

DK7 7" Ring



DK7 7" Ring

with E005 Ellis Escutcheon 3" x 5"	\$ 739
with E101 Round Designer Escutcheon* 3 1/2"	\$ 868
with E103 Square Designer Escutcheon* 3" x 3"	\$ 842
with E153 Edge Escutcheon 2" x 3"	\$ 637
with E201 Round Metro Escutcheon 2 1/4"	\$ 626
with E202 Round Metro Escutcheon 3 1/2"	\$ 658
with E204 Square Metro Escutcheon 2 1/4" x 2 1/4"	\$ 630
with E205 Metro Escutcheon 2 1/4" x 3 1/4"	\$ 637
with E236 Metro Escutcheon 2 1/2" x 4 1/2"	\$ 637
with E300 Stepped Escutcheon 2 1/2" x 3 3/4"	\$ 634
with E304 Stepped Escutcheon 2 1/2" x 4 1/2"	\$ 637
with E400 Rectangular Escutcheon 2 1/2" x 3 3/4"	\$ 634
with E414 Rectangular Escutcheon 2 1/2" x 4 1/2"	\$ 637
with E415 Diamond Escutcheon 3 9/16" x 3 9/16"	\$ 630

with E416 Square Escutcheon

2 5/8" x 2 5/8"	\$ 630
with E417 Round Escutcheon 2 1/2"	\$ 626
with E418 Round Escutcheon 3 1/4"	\$ 642
with E500 Curved Escutcheon 2 1/2" x 3 3/4"	\$ 634
with E501 Oval Escutcheon 2 5/8" x 5 1/4"	\$ 645
with E504 Curved Escutcheon 2 1/2" x 4 1/2"	\$ 637
with E589 Round Maddox Escutcheon 3 1/8"	\$ 693
with E700 Arched Escutcheon 2 1/2" x 3 3/4"	\$ 634
with E701 Arched Escutcheon 2 1/2" x 5 1/2"	\$ 674
with E10155 Oasis Escutcheon 3" x 4 1/4"	\$ 637
with E10203 Square Oasis Escutcheon 2 1/2" x 2 1/2"	\$ 630

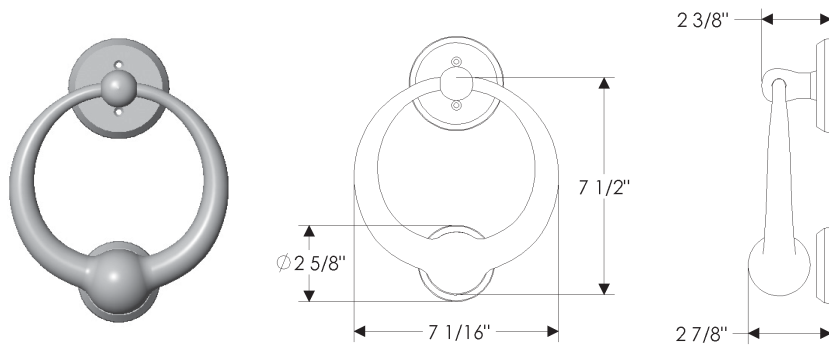
* Require leather or texture choices.

(See following page for additional options)

- Combination shown with E418 Round Escutcheon for illustration purposes only. Refer to Section B for escutcheon styles and specifications.
- Specify escutcheon style, metal, leather or texture, and patina.
- These escutcheons (E101 and E103) require a leather or texture choice. Please refer to page Mi for leather and texture options, visit our website, or brochure for details.

Door Knockers

DK7 7" Ring



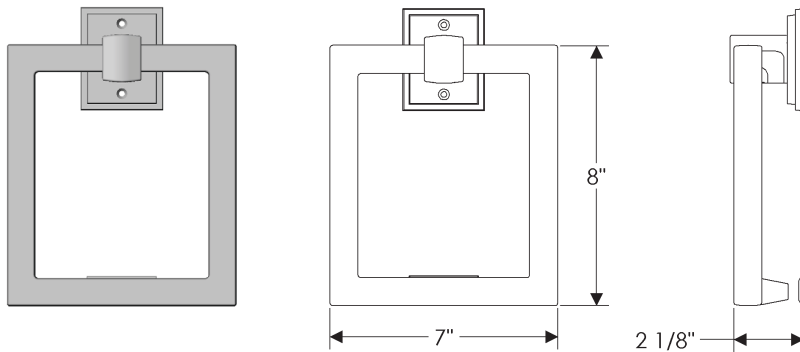
DK7 7" Ring (continued)

with E10205 Oasis Escutcheon	
2 1/2" x 4 1/2".....	\$ 637
with E10820 Round Briggs Escutcheon	
2 1/2".....	\$ 626
with E10800 Briggs Escutcheon	
2 3/8" x 7".....	\$ 684
with E21005 Mack Escutcheon	
2 1/2" x 4 1/2".....	\$ 637
with E30303 Trousdale Escutcheon	
3" x 3".....	\$ 693
with E30403 Hammered Escutcheon	
2 1/2" x 4 1/2".....	\$ 637
with E30503 Convex Escutcheon	
2 1/2" x 4 1/2".....	\$ 739
with E30603 Corbel Arched Escutcheon	
2 1/2" x 4 1/2".....	\$ 739
with E30703 Corbel Rectangular Escutcheon	
2 1/2" x 4 1/2".....	\$ 739
with E30802 Round Bordeaux Escutcheon	
2 1/2".....	\$ 693
with E30803 Round Bordeaux Escutcheon	
3 1/4".....	\$ 693
with E30804 Bordeaux Escutcheon	
2 1/2" x 4 1/2".....	\$ 739
with E30806 Oval Bordeaux Escutcheon	
2 1/2" x 5 1/2".....	\$ 739

- DK8 shown with IP318 Stepped Escutcheon for illustration purposes only. Refer to Section B for escutcheon specifications. DK12 available with Round Escutcheon only.
- Specify escutcheon style, metal and patina.

Door Knockers

DK8 8" Square



DK8 8" Square

with IP014 Ellis Escutcheon	
3" x 3 3/4"	\$ 670
with IP150 Edge Escutcheon	
2" x 3"	\$ 591
with IP214 Metro Escutcheon	
2 1/4" x 3 1/4"	\$ 591
with IP318 Stepped Escutcheon	
2 1/2" x 3 1/8"	\$ 591
with IP415 Diamond Escutcheon	
3 9/16" x 3 9/16"	\$ 591
with IP418 Rectangular Escutcheon	
2 1/2" x 3"	\$ 591
with IP512 Curved Escutcheon	
2 1/2" x 3 3/8"	\$ 591
with IP580 Maddox Escutcheon	
2 3/8" x 3 5/16"	\$ 624
with IP716 Arched Escutcheon	
2 1/2" x 3 3/4"	\$ 591
with IP10200 Oasis Escutcheon	
2 1/2" x 3 1/4"	\$ 591
with IP10800 Briggs Escutcheon	
2 1/2" x 5 1/8"	\$ 624
with IP21014 Mack Escutcheon	
2 1/2" x 3 1/2"	\$ 591
with IP30390 Trousdale Escutcheon	
3" x 3"	\$ 624

with IP30490 Hammered Escutcheon

2 1/2" x 3 1/4"

\$ 591

with IP30590 Convex Escutcheon

2 1/2" x 3 1/4"

\$ 670

with IP30690 Corbel Arched Escutcheon

2 1/2" x 4 1/2"

\$ 670

with IP30790 Corbel Rectangular Escutcheon

2 1/2" x 4"

\$ 670

with IP30890 Bordeaux Escutcheon

2 1/2" x 3 1/4"

\$ 670

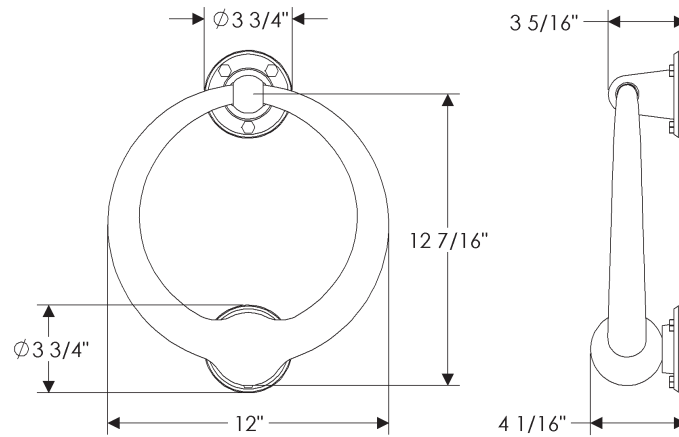
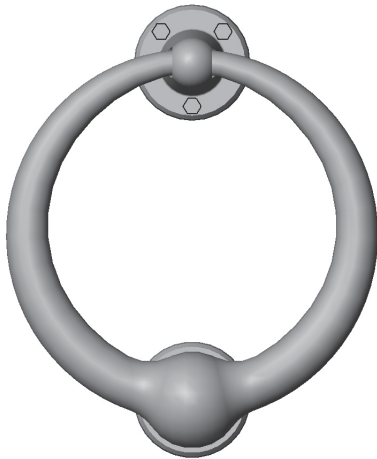
- Specify metal and patina.

Door Knockers

DK12 12" Round

DK12 Round Escutcheon

3 3/4" \$953



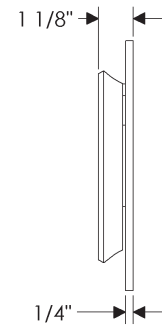
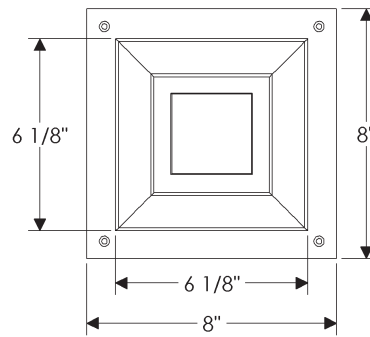
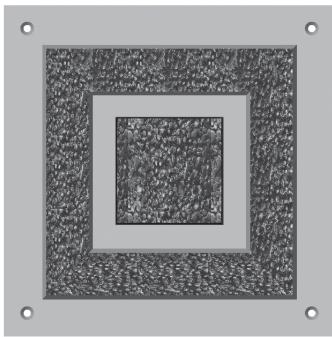
- Specify metal and patina.

Door Knockers

DK30300

**DK30300 Trousdale
Kravitz Design Collection**

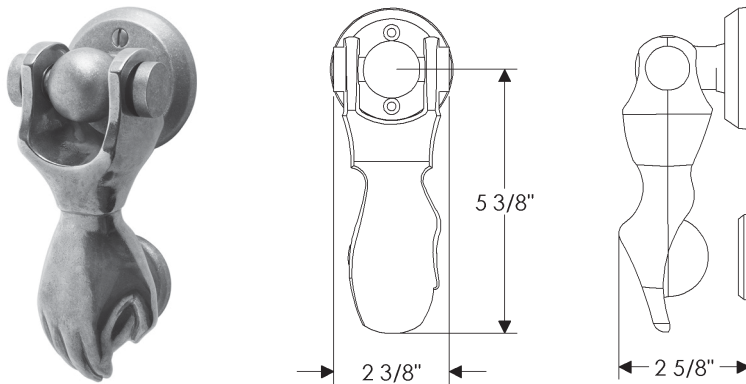
8" x 8" \$1,323



- Combination shown with E418 Round Escutcheon for illustration purposes only. Refer to Section B for escutcheon styles and specifications.
- Specify escutcheon style, metal and patina.
- These escutcheons (E101 and E103) require a leather or texture choice. Please refer to page Mi for leather and texture options, visit our website, or brochure for details.

Door Knockers

DK16



DK16 The Hand of Fatima	
with E005 Ellis Escutcheon	
3" x 5"	\$ 625
with E056 Ellis Escutcheon	
3" x 11"	\$ 543
with E101 Designer Escutcheon*	
3 1/2"	\$ 744
with E103 Designer Escutcheon*	
3" x 3"	\$ 744
with E115 Designer Escutcheon*	
3" x 10"	\$ 799
with E153 Edge Escutcheon	
2" x 3"	\$ 427
with E201 Metro Escutcheon	
2 1/4"	\$ 418
with E202 Metro Escutcheon	
3 1/2"	\$ 447
with E204 Metro Escutcheon	
2 1/4" x 2 1/4"	\$ 418
with E205 Metro Escutcheon	
2 1/4" x 3 1/4"	\$ 427
with E206 Metro Escutcheon	
2 1/4" x 10"	\$ 523
with E236 Metro Escutcheon	
2 1/2" x 4 1/2"	\$ 427
with E304 Stepped Escutcheon	
2 1/2" x 4 1/2"	\$ 427
with E312 Stepped Escutcheon	
2 1/2" x 11"	\$ 523
with E408 Rectangular Escutcheon	
2 1/2" x 10"	\$ 523
with E414 Rectangular Escutcheon	
2 1/2" x 4 1/2"	\$ 427
with E415 Diamond Escutcheon	
3 9/16" x 3 9/16"	\$ 418
with E416 Square Escutcheon	
2 5/8" x 2 5/8"	\$ 418
with E417 Round Escutcheon	
2 1/2"	\$ 418
with E418 Round Escutcheon	
3 1/4"	\$ 432
with E501 Oval Escutcheon	
2 5/8" x 5 1/4"	\$ 433
with E504 Curved Escutcheon	
2 1/2" x 4 1/2"	\$ 427
with E512 Curved Escutcheon	
2 1/2" x 11"	\$ 523
with E540 Oval Escutcheon	
2 1/2" x 10"	\$ 523
with E584 Maddox Escutcheon	
3" x 12 1/2"	\$ 574
with E589 Maddox Escutcheon	
3 1/8"	\$ 554
with E701 Arched Escutcheon	
2 1/2" x 5 1/2"	\$ 464
with E704 Arched Escutcheon	
2 1/2" x 11"	\$ 523
with E841 Fleur de Lis Escutcheon	
2 1/2" x 15"	\$ 538

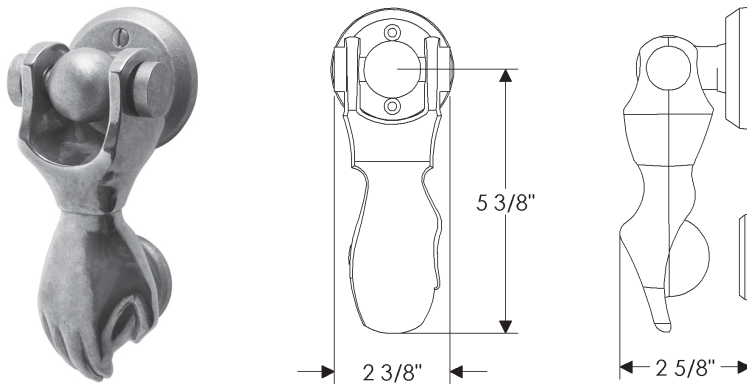
*Require leather or texture choices.

(See following page for additional options)

- Combination shown with E418 Round Escutcheon for illustration purposes only. Refer to Section B for escutcheon styles and specifications.
- Specify escutcheon style, metal and patina.
- These escutcheons (E101 and E103) require a leather or texture choice. Please refer to page Mi for leather and texture options, visit our website, or brochure for details.

Door Knockers

DK16



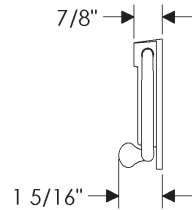
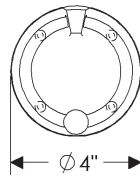
DK16 The Hand of Fatima (continued)

with E10155 Oasis Escutcheon 3" x 4 1/4"	\$ 427	with E30603 Corbel Arched Escutcheon 2 1/2" x 4 1/2"	\$ 625
with E10203 Square Oasis Escutcheon 2 1/2" x 2 1/2"	\$ 418	with E30606 Corbel Arched Escutcheon 2 1/2" x 9"	\$ 543
with E10205 Oasis Escutcheon 2 1/2" x 4 1/2"	\$ 427	with E30703 Corbel Rectangular Escutcheon 2 1/2" x 4 1/2"	\$ 625
with E10810 Briggs Escutcheon 2 3/8" x 10"	\$ 523	with E30706 Corbel Rectangular Escutcheon 2 1/2" x 9"	\$ 543
with E10820 Briggs Escutcheon 2 1/2"	\$ 418	with E30802 Round Bordeaux Escutcheon 2 1/2"	\$ 554
with E21005 Mack Escutcheon 2 1/2" x 4 1/2"	\$ 427	with E30803 Round Bordeaux Escutcheon 3 1/4"	\$ 554
with E21056 Mack Escutcheon 2 1/2" x 10"	\$ 523	with E30804 Bordeaux Escutcheon 2 1/2" x 4 1/2"	\$ 625
with E30303 Trousdale Escutcheon 3" x 3"	\$ 554	with E30806 Bordeaux Escutcheon 2 1/2" x 5 1/2"	\$ 625
with E30403 Hammered Escutcheon 2 1/2" x 4 1/2"	\$ 427	with E30810 Bordeaux Escutcheon 2 1/2" x 16 7/16"	\$ 574
with E30410 Hammered Escutcheon 2 1/2" x 10"	\$ 523		
with E30503 Convex Escutcheon 2 1/2" x 4 1/2"	\$ 625		
with E30508 Convex Escutcheon 2 1/2" x 10"	\$ 543		

- Specify metal and patina.

Door Knockers

DK400 4" Round

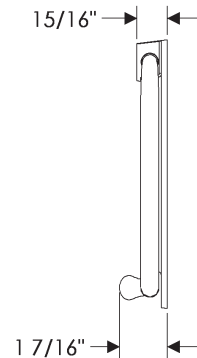
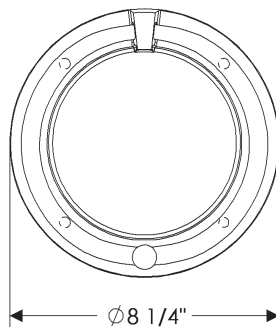
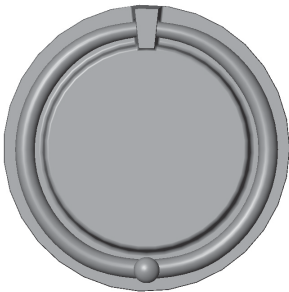


DK400 Round Escutcheon

4" \$ 514

- Custom engraving available. Call for pricing.

DK825 8 1/4" Round



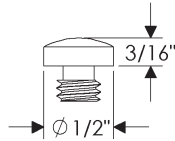
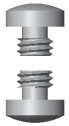
DK825 Round Escutcheon

8 1/4" \$ 660

- Custom engraving available. Call for pricing.

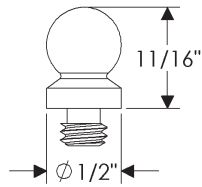
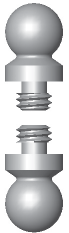
- Specify metal and patina.
- Two caps are included with hinge. Priced individually for replacement.
- Finial Caps shown on this page are compatible with Plain Bearing Extruded 1/2" Barrell Hinges.
- All Plain Bearing Extruded Hinges fall under Builders Series discount structure. Call for details.

Finial Caps—1/2" Barrel



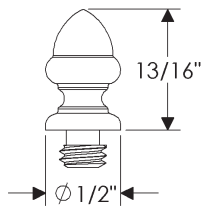
XT50 Standard Finial Cap

- / Each \$ 51
- / Pair \$ 102
- For use with Builders Series Hinge



BT50 Ball Finial Cap

- / Each \$ 51
- / Pair \$ 102
- For use with Builders Series Hinge

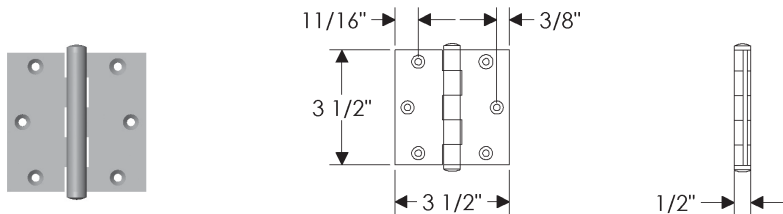


AT50 Acorn Finial Cap

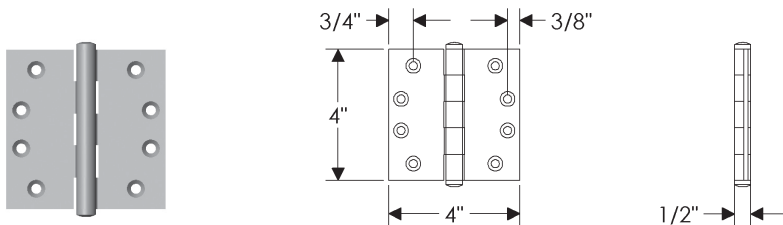
- / Each \$ 51
- / Pair \$ 102
- For use with Builders Series Hinge

- Specify metal and patina.
- Price includes your choice of 1/2" Finial Caps.
- Hinge leaf thickness is .125. Unless otherwise specified.
- Each hinge is supplied with two 3" long and eight 1 1/4" long slotted screws. Flat-head Phillips screws available upon request.
- All Plain Bearing Extruded Hinges fall under Builders Series discount structure. Call for details.

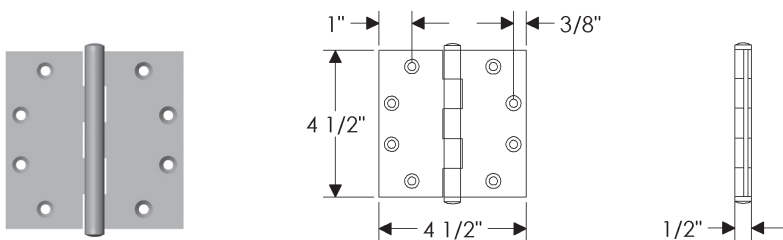
Plain Bearing Extruded Hinges — 1/2" Barrel



HNG3.5B Plain Bearing Extruded Hinge
 3 1/2" x 3 1/2" / Each \$ 131
 • Builders Series Hinge



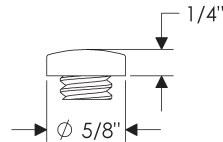
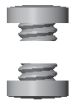
HNG4B Plain Bearing Extruded Hinge
 4" x 4" / Each \$ 143
 • Builders Series Hinge



HNG4.5B Plain Bearing Extruded Hinge
 4 1/2" x 4 1/2" / Each \$ 158
 • Builders Series Hinge

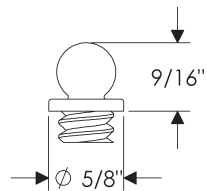
- Specify metal and patina.
- Two caps are included with hinge. Priced individually for replacement.
- Finial Caps shown on this page are compatible with Concealed Bearing 5/8" Barrel Hinges.

Finial Caps—5/8" Barrel



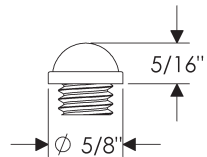
CAP6 Small Standard Finial Cap

/ Each \$ 51
/ Pair \$ 102



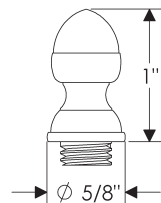
CAP7 Small Ball Finial Cap

/ Each \$ 51
/ Pair \$ 102



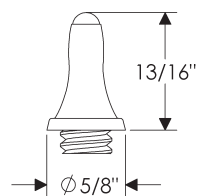
CAP8 Small Dome Finial Cap

/ Each \$ 51
/ Pair \$ 102



CAP9 Small Acorn Finial Cap

/ Each \$ 51
/ Pair \$ 102

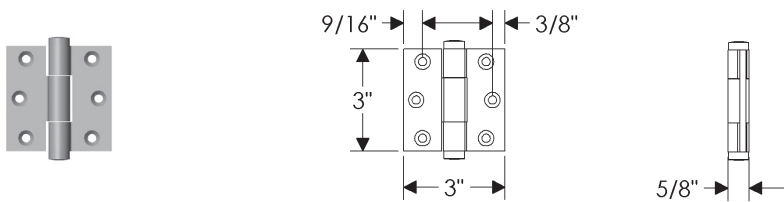


CAP10 Small Steeple Finial Cap

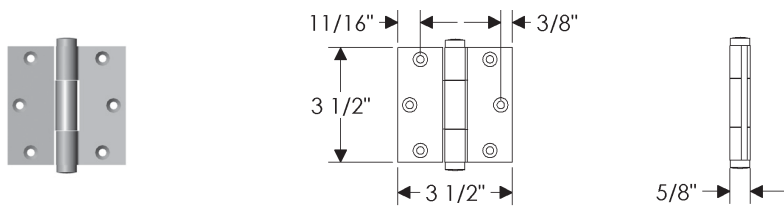
/ Each \$ 51
/ Pair \$ 102

- Specify metal and patina.
- Price includes your choice of 5/8" Finial Caps.
- Hinge leaf thickness is .1875. Unless otherwise specified.
- Each hinge is supplied with two 3" long and eight 1 1/4" long slotted screws. Flat-head Phillips screws available upon request.

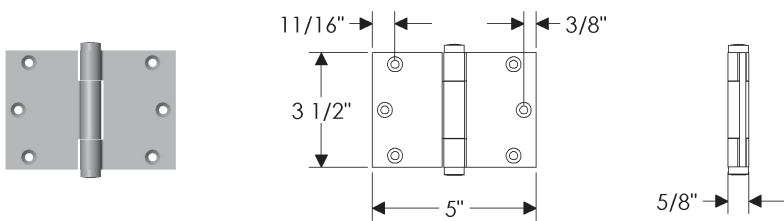
Concealed Bearing Hinges—5/8" Barrel



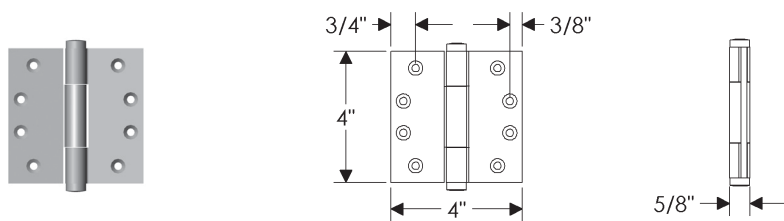
HNG3A Concealed Bearing Hinge
3" x 3" / Each \$ 209



HNG3.5A Concealed Bearing Hinge
3 1/2" x 3 1/2" / Each \$ 216



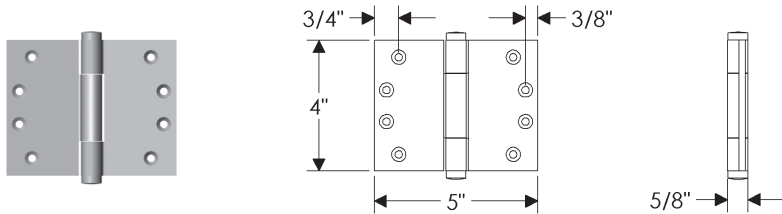
HNGWT3.5x5A Concealed Bearing Hinge
3 1/2" x 5" / Each \$ 229



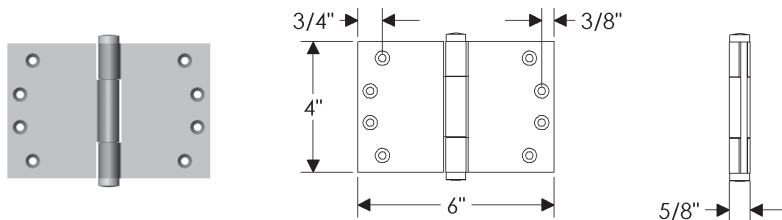
HNG4A Concealed Bearing Hinge
4" x 4" / Each \$ 220

- Specify metal and patina.
- Price includes your choice of 5/8" Finial Caps.
- Hinge leaf thickness is .1875. Unless otherwise specified.
- Each hinge is supplied with two 3" long and eight 1 1/4" long slotted screws. Flat-head Phillips screws available upon request.

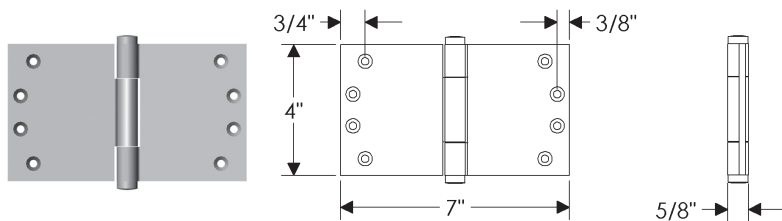
Concealed Bearing Hinges — 5/8" Barrel



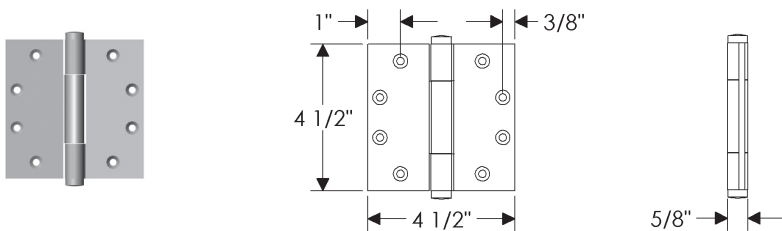
HNGWT4x5A Concealed Bearing Hinge
4" x 5" / Each \$ 227



HNGWT4x6A Concealed Bearing Hinge
4" x 6" / Each \$ 240



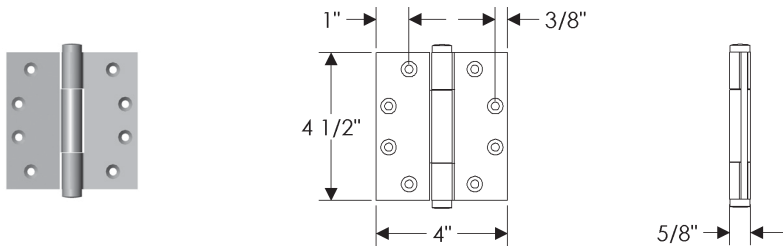
HNGWT4x7A Concealed Bearing Hinge
4" x 7" / Each \$ 262



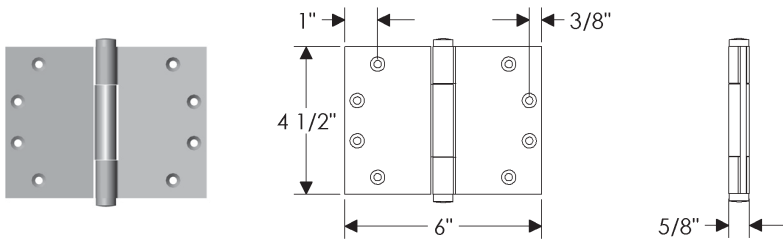
HNG4.5A Concealed Bearing Hinge
4 1/2" x 4 1/2" / Each \$ 229

- Specify metal and patina.
- Price includes your choice of 5/8" Finial Caps.
- Hinge leaf thickness is .1875. Unless otherwise specified.
- Each hinge is supplied with two 3" long and eight 1 1/4" long slotted screws. Flat-head Phillips screws available upon request.

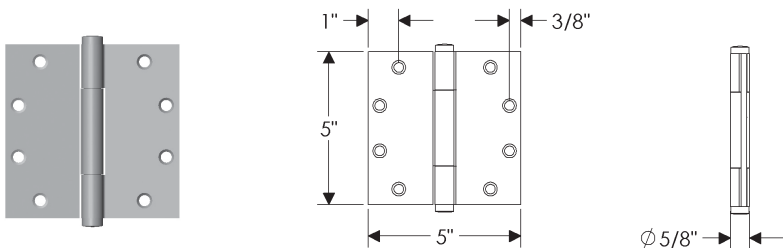
Concealed Bearing Hinges—5/8" Barrel



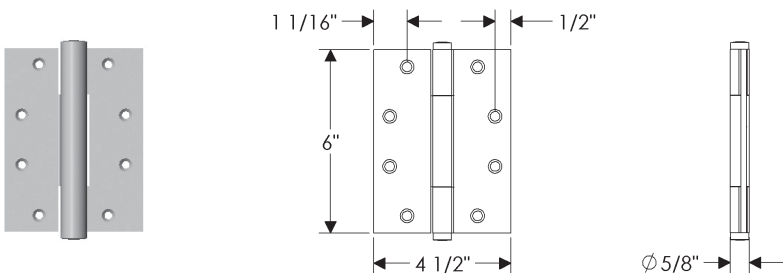
HNG4.5x4A Concealed Bearing Hinge
4 1/2" x 4" / Each \$ 225



HNGWT4.5x6A Concealed Bearing Hinge
4 1/2" x 6" / Each \$ 258



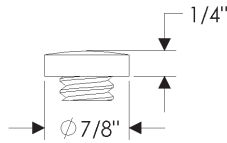
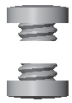
HNG5A Concealed Bearing Hinge
5" x 5" / Each \$ 236



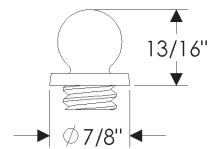
HNG6x4.5A Concealed Bearing Hinge
6" x 4 1/2" / Each \$ 258

- Specify metal and patina.
- Two caps are included with hinge. Priced individually for replacement.
- Finial Caps shown on this page are compatible with Concealed Bearing 7/8" Barrell Hinges.

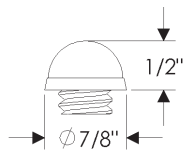
Finial Caps—7/8" Barrel



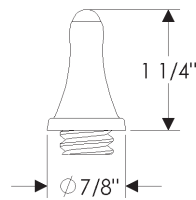
CAP1 Standard Finial Cap
 / Each \$ 51
 / Pair \$ 102



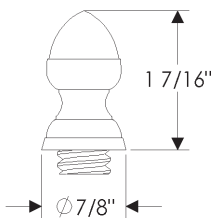
CAP2 Ball Finial Cap
 / Each \$ 51
 / Pair \$ 102



CAP3 Dome Finial Cap
 / Each \$ 51
 / Pair \$ 102



CAP4 Steeple Finial Cap
 / Each \$ 51
 / Pair \$ 102



CAP5 Acorn Finial Cap
 / Each \$ 51
 / Pair \$ 102

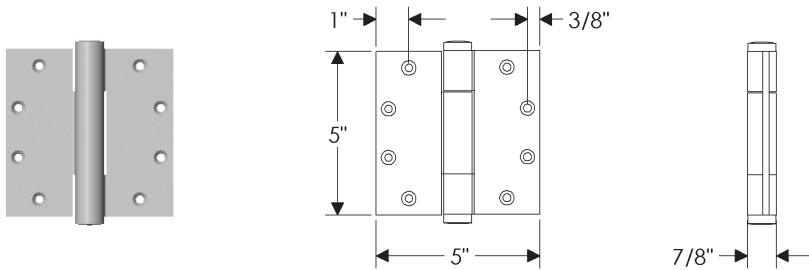
- Specify metal and patina.
- Price includes your choice of 7/8" Finial Caps.
- Hinge leaf thickness is .1875. Unless otherwise specified.
- Each hinge is supplied with two 3" long and eight 1 1/4" long slotted screws. Flat-head Phillips screws available upon request.

Concealed Bearing Hinges—7/8" Barrel

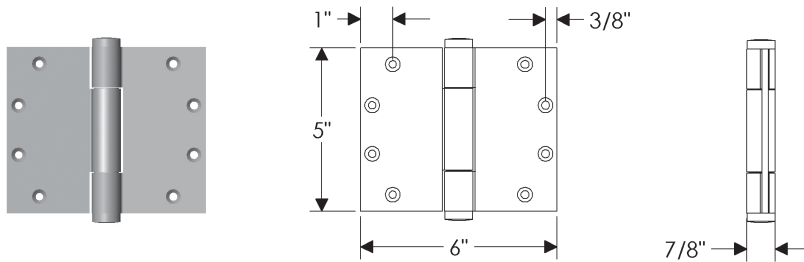
			<p>HNG3.5 Concealed Bearing Hinge 3 1/2" x 3 1/2" / Each \$ 216</p>
			<p>HNG4 Concealed Bearing Hinge 4" x 4" / Each \$ 220</p>
			<p>HNGWT4x5 Concealed Bearing Hinge 4" x 5" / Each \$ 227</p>
			<p>HNGWT4x6 Concealed Bearing Hinge 4" x 6" / Each \$ 240</p>
			<p>HNG4.5 Concealed Bearing Hinge 4 1/2" x 4 1/2" / Each \$ 229</p>

- Specify metal and patina.
- Price includes your choice of 7/8" Finial Caps.
- Hinge leaf thickness is .1875. Unless otherwise specified.
- Each hinge is supplied with two 3" long and eight 1 1/4" long slotted screws. Flat-head Phillips screws available upon request.

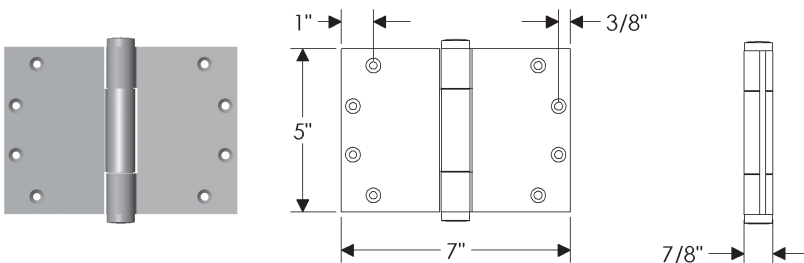
Concealed Bearing Hinges—7/8" Barrel



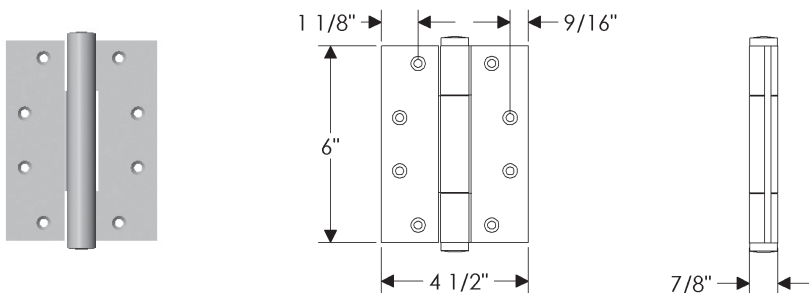
HNG5 Concealed Bearing Hinge
5" x 5" / Each \$ 236



HNGWT5x6 Concealed Bearing Hinge
5" x 6" / Each \$ 250



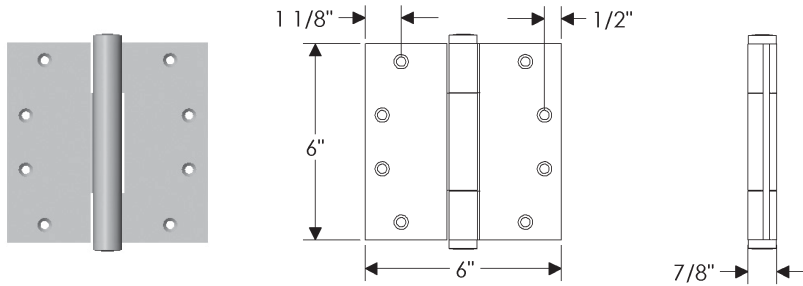
HNGWT5x7 Concealed Bearing Hinge
5" x 7" / Each \$ 264



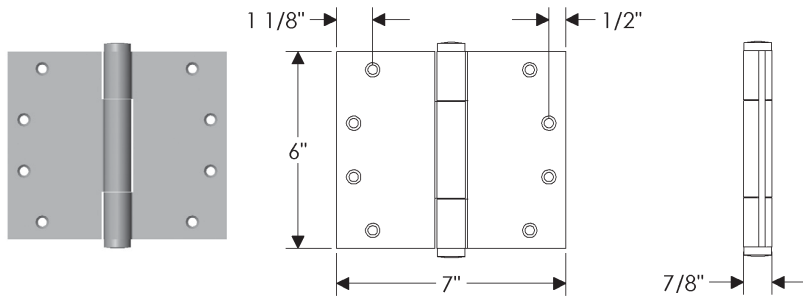
HNG6x4.5 Concealed Bearing Hinge
6" x 4 1/2" / Each \$ 258
• Hinge leaf thickness is .2

- Specify metal and patina.
- Price includes your choice of 7/8" Finial Caps.
- Hinge leaf thickness is .1875. Unless otherwise specified.
- Each hinge is supplied with two 3" long and eight 1 1/4" long slotted screws. Flat-head Phillips screws available upon request.

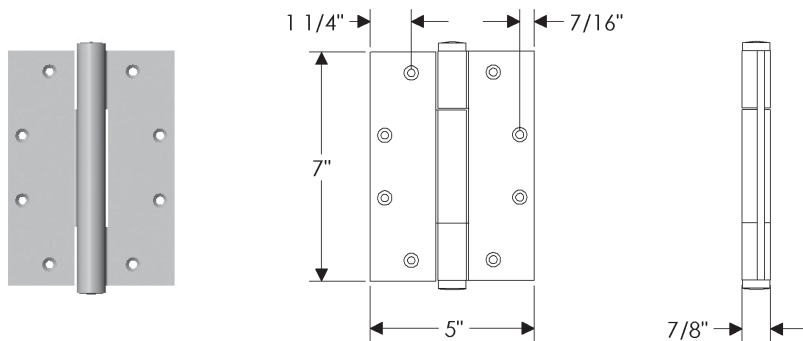
Concealed Bearing Hinges—7/8" Barrel



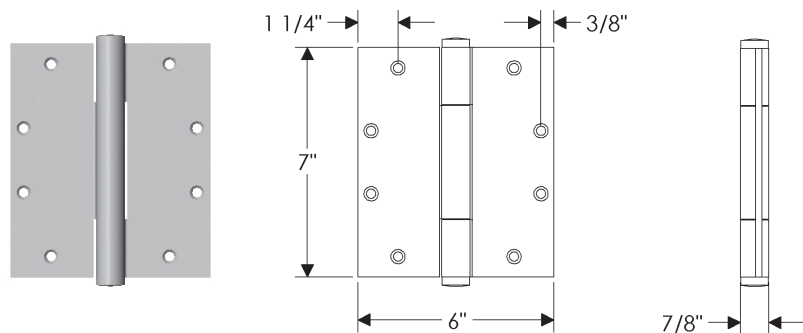
HNG6 Concealed Bearing Hinge
6" x 6" / Each \$ 272



HNGWT6x7 Concealed Bearing Hinge
6" x 7" / Each \$ 284



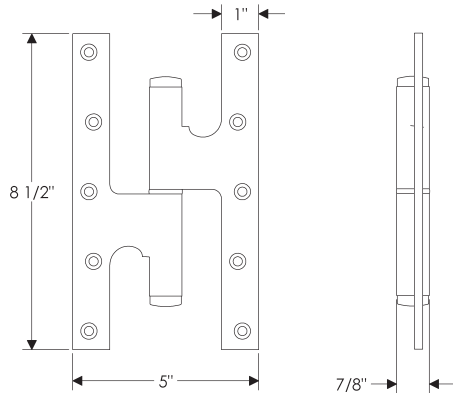
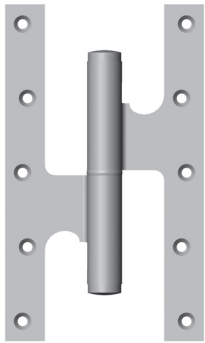
HNG7x5 Concealed Bearing Hinge
7" x 5" / Each \$ 264
• Hinge leaf thickness is .2100



HNG7x6 Concealed Bearing Hinge
7" x 6" / Each \$ 284

- Specify metal, patina, and handing.
- Price includes your choice of Finial Caps.
- Hinge leaf thickness is .2500" unless otherwise specified.
- Each hinge is supplied with two 3" long and ten 1 1/4" long slotted screws. Flat-head Phillips screws available upon request.

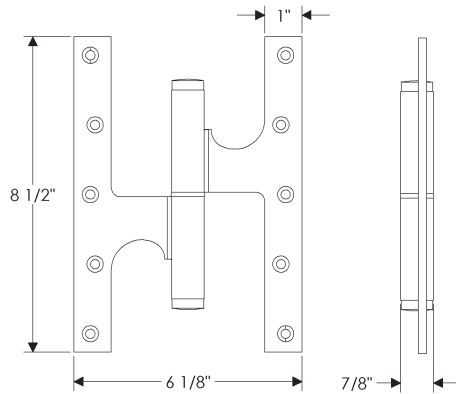
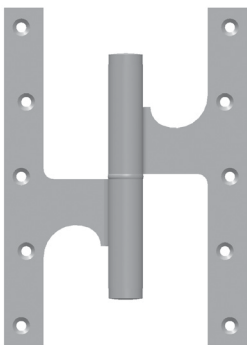
Paumelle Hinge



PHNG8.5x5 Paumelle Hinge, 7/8" barrel

8 1/2" x 5" / Each \$ 467

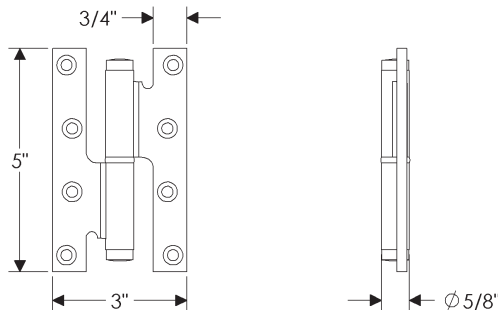
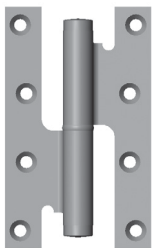
- Left hinge shown when mortised into edge of door.
- Surface mounted hinges require opposite handing.



PHNG8.5x6.125 Paumelle Hinge, 7/8" barrel

8 1/2" x 6 1/8" / Each \$ 490

- Left hinge shown when mortised into edge of door.
- Surface mounted hinges require opposite handing.



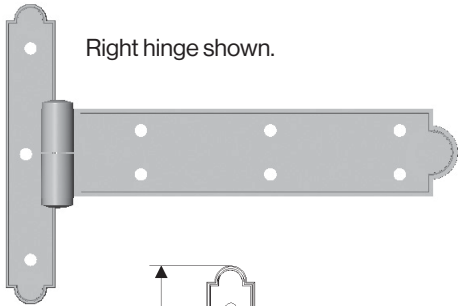
PHNG5x3 Paumelle Hinge, 5/8" barrel

5" x 3" / Each \$ 201

- Left hinge shown when mortised into edge of door.
- Surface mounted hinges require opposite handing.

- Specify metal, patina, and handing.

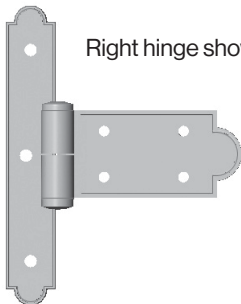
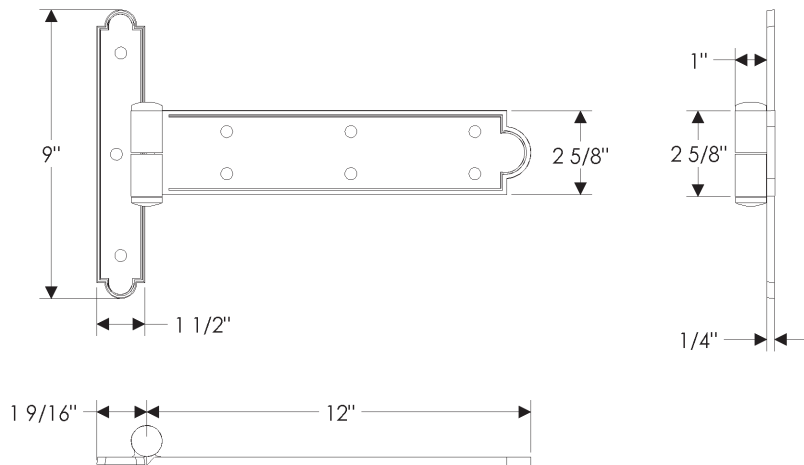
Strap Hinges



Right hinge shown.

SHNG12 Strap Hinge, 12" \$ 702

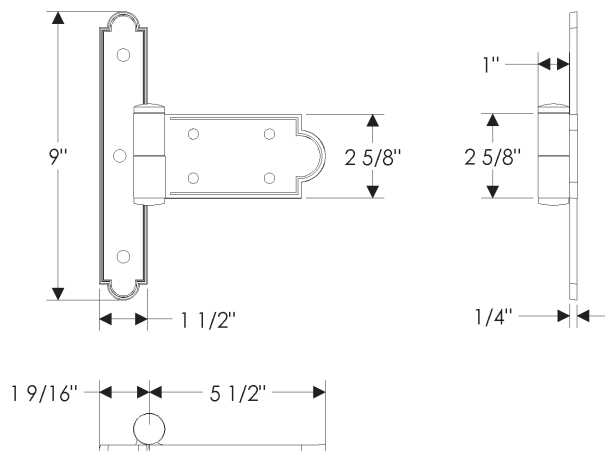
- Shipped with 1 1/2" Hexagonal-head lag bolts.



Right hinge shown.

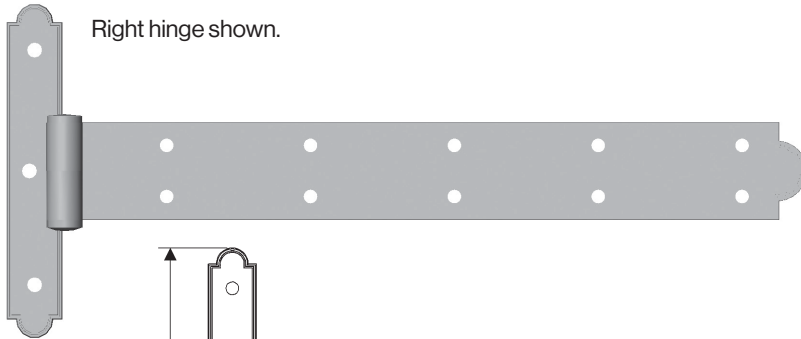
SHNG5.5 Strap Hinge, 5 1/2" \$ 579

- Shipped with 1 1/2" Hexagonal-head lag bolts.



- Specify metal, patina, and handing.

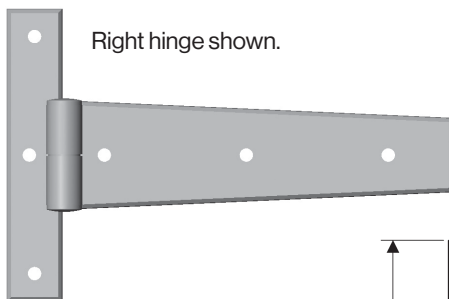
Strap Hinges



Right hinge shown.

SHNG20 Strap Hinge, 20" \$ 917

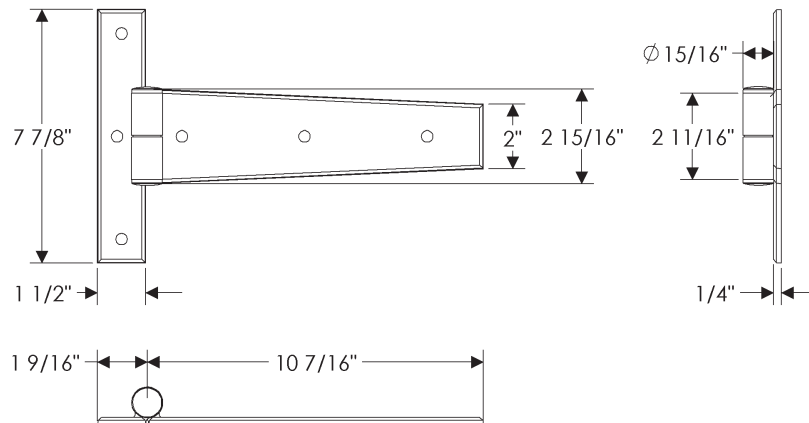
- Shipped with 1 1/2" Hexagonal-head lag bolts.



Right hinge shown.

SHNG105 Strap Hinge, 10 1/2" \$ 702

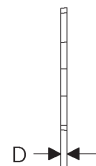
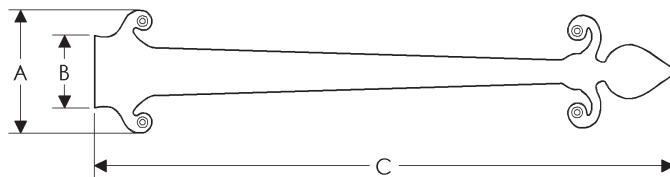
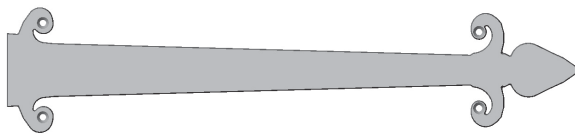
- Shipped with 1 1/2" Hexagonal-head lag bolts.



- Specify metal and patina.

Ornamental Hinge Straps

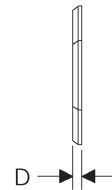
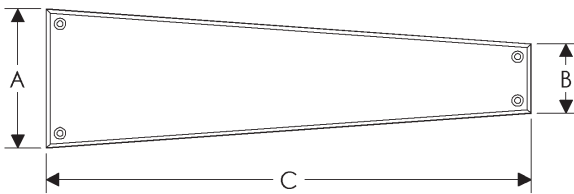
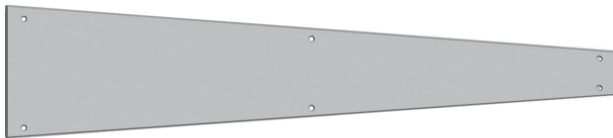
	A	B	C	D	Price
OHS106	1 1/4"	3/4"	6"	1/8"	\$ 104
OHS112	2 9/16"	1 1/2"	12"	3/16"	\$ 187
OHS116	3 1/2"	2 1/8"	16"	1/4"	\$ 259
OHS118	4"	2 5/16"	18"	1/4"	\$ 275
OHS121	4 5/8"	2 11/16"	21"	1/4"	\$ 317
OHS124	5 1/16"	3"	24"	1/4"	\$ 344
OHS130	5 15/16"	3 1/2"	30"	1/4"	\$ 492
OHS137	5 15/16"	3 1/2"	37"	1/4"	\$ 527
OHS148	8 1/2"	5"	48"	3/8"	\$ 779



- Specify metal and patina.

Ornamental Hinge Straps

	A	B	C	D	Price
OHS414S	4"	2"	14"	1/4"	\$ 329
OHS423S	4"	2"	23"	1/4"	\$ 555
OHS627S	6"	2"	27"	1/4"	\$ 579
OHS629S	6"	2"	29"	1/4"	\$ 629
OHS634S	6"	2"	34"	1/4"	\$ 663
OHS640S	6"	2"	40"	\$ 739	

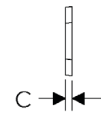
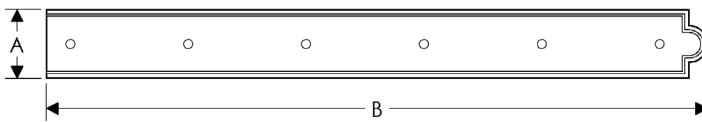


- Specify metal and patina.

Ornamental Hinge Straps

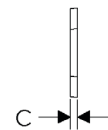
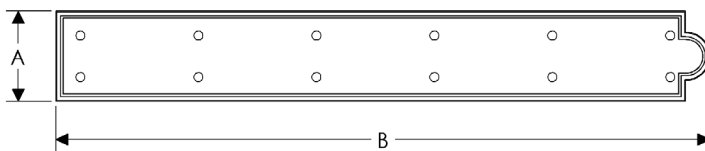
	A	B	C	Price
OHS254	2 1/2"	24"	1/4"	\$ 596
OHS256	2 1/2"	36"	1/4"	\$ 684

Note: Shipped with 1 1/2" Hexagonal-head lag bolts



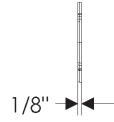
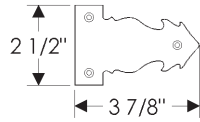
	A	B	C	Price
OHS324	3 1/4"	23 11/16"	1/4"	\$ 710
OHS329	3 1/4"	29"	1/4"	\$ 722
OHS332	3 1/4"	32"	1/4"	\$ 726
OHS348	3 1/4"	48"	1/4"	\$ 926
OHS218	4"	18"	1/4"	\$ 656

Note: Shipped with 1 1/2" Hexagonal-head lag bolts



- Specify metal and patina.

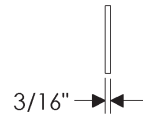
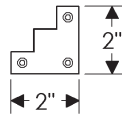
Ornamental Hinge Straps



OHS375 Ornamental Hinge Strap

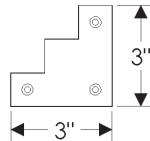
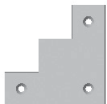
2 1/2" x 3 7/8" \$ 84

Door Corner Brackets



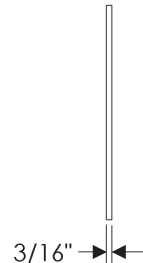
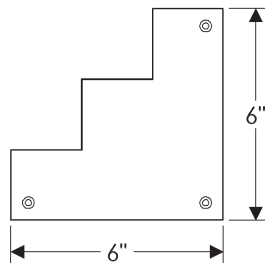
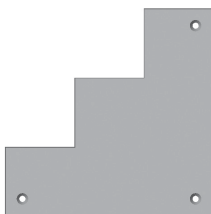
DCT200 Door Corner Bracket

2" x 2" \$ 66



DCT300 Door Corner Bracket

3" x 3" \$ 80

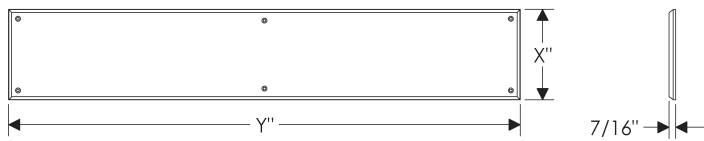


DCT600 Door Corner Bracket

6" x 6" \$ 97

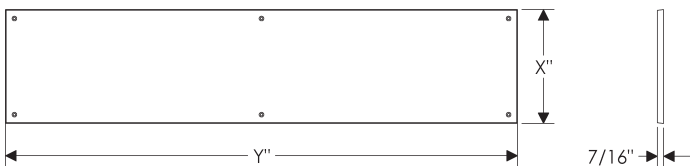
Specify metal and patina.

Kick Plates



KP Kick Plate with Bevel

	X" x Y"	
KP434	4" x 34"	\$ 612
KP526	5" x 26"	\$ 748
KP528	5" x 28"	\$ 748
KP538	5" x 38"	\$ 953
KP628	6" x 28"	\$ 748
KP631	6" x 31"	\$ 748
KP634	6" x 34"	\$ 770
KP635	6" x 35"	\$ 823
KP726	7" x 26"	\$ 757
KP731	7" x 31"	\$ 792
KP740	7" x 40"	\$ 912
KP743	7" x 43"	\$ 1,004
KP822	8" x 22"	\$ 810
KP824	8" x 24"	\$ 731
KP828	8" x 28"	\$ 823
KP834	8" x 34"	\$ 893
KP840	8" x 40"	\$ 995
KP842	8" x 42"	\$ 1,051
KP844	8" x 44"	\$ 1,074
KP846	8" x 46"	\$ 1,096
KP1034	10" x 34"	\$ 1,034
KP1039	10 1/2" x 39 1/2"	\$ 2,075
KP1234	12" x 34"	\$ 1,566
KP1236	12" x 36"	\$ 1,656
KP1240	12" x 40"	\$ 1,830
KP1242.5	12" x 42 1/2"	\$ 2,110

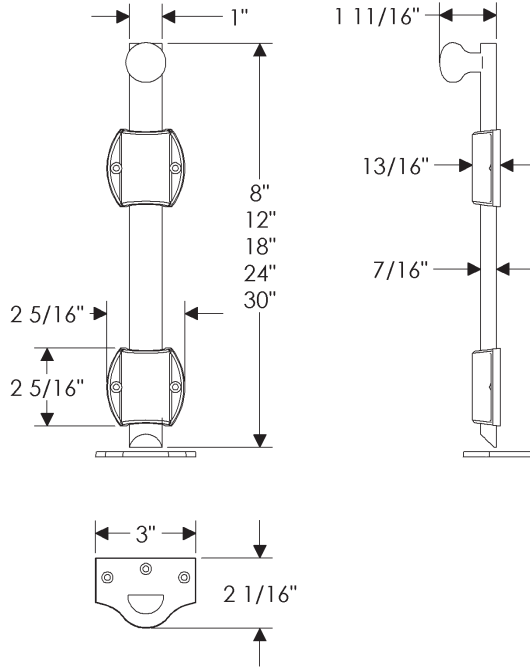
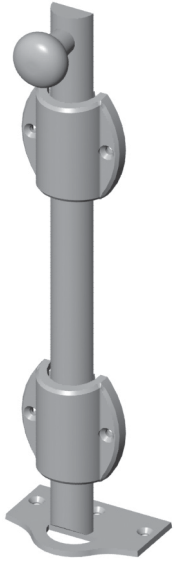


KP Kick Plate without Bevel

	X" x Y"	
KP836	8" x 36"	\$ 916
KP1035	10" x 35"	\$ 1,064
KP1236	12" x 36"	\$ 1,656

- Specify metal, patina, and bolt length.
- Custom lengths are available. Call for options.

Door Bolts

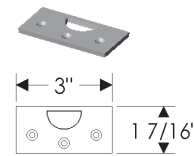


MB1 Surface Bolt, Oval Mounting Brackets

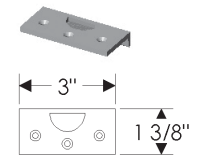
8" Surface Bolt	\$ 439
12" Surface Bolt	\$ 478
18" Surface Bolt	\$ 516
24" Surface Bolt.....	\$ 554
30" Surface Bolt.....	\$ 592

- Throw = 11/4".
- Supplied with SB1 Strike.
- Optional strikes—

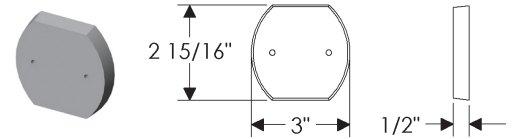
SB2MS



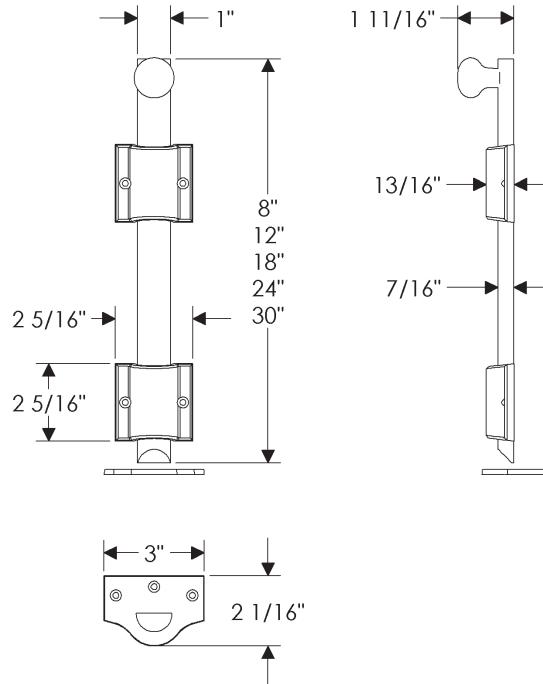
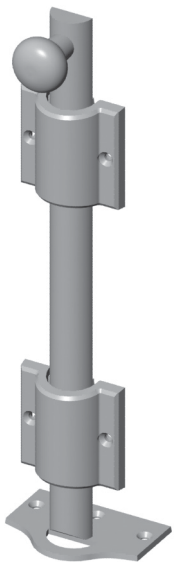
SB2AS



MBR1 Riser Plate..... \$ 71



- Call for options on out-swing doors.

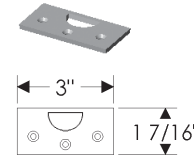


MB2 Surface Bolt, Square Mounting Brackets

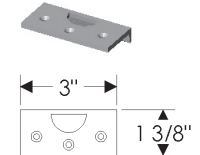
8" Surface Bolt	\$ 439
12" Surface Bolt	\$ 478
18" Surface Bolt	\$ 516
24" Surface Bolt.....	\$ 554
30" Surface Bolt.....	\$ 592

- Throw = 11/4".
- Supplied with SB1 Strike.
- Optional strikes—

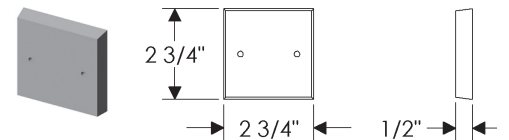
SB2MS



SB2AS



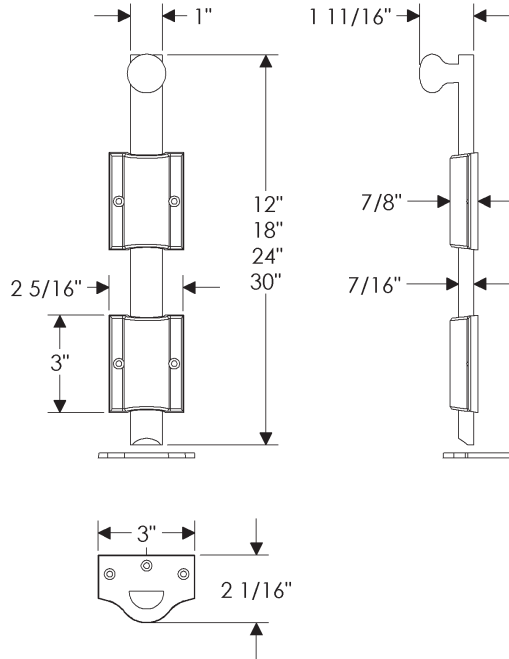
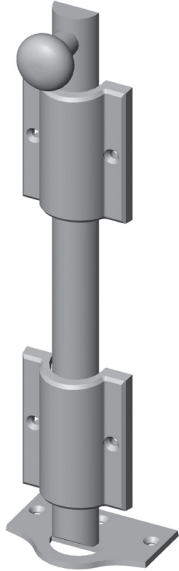
MBR2 Riser Plate..... \$ 71



- Call for options on out-swing doors.

- Specify metal, patina, and bolt length.
- Custom lengths are available. Call for options.

Door Bolts

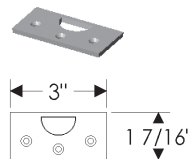


MB7 Surface Bolt, Rectangular Mounting Brackets

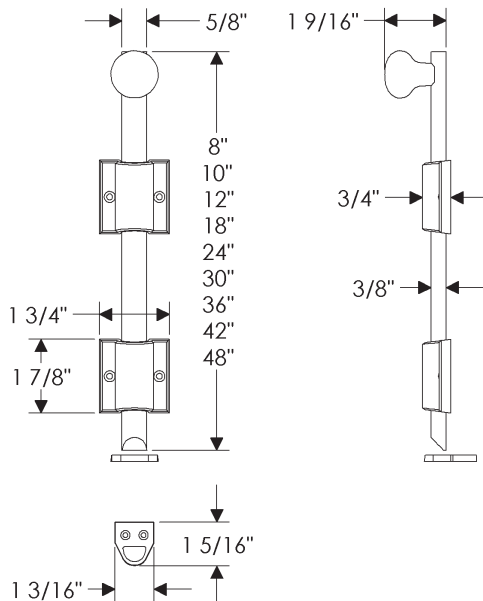
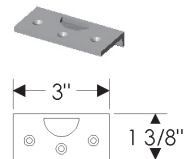
12" Surface Bolt	\$ 478
18" Surface Bolt	\$ 516
24" Surface Bolt	\$ 554
30" Surface Bolt	\$ 592

- Throw = 2".
- Supplied with SB1 Strike.
- Optional strikes—

SB2MS



SB2AS

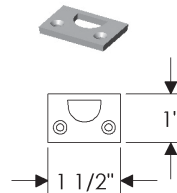


MB8 Surface Bolt, Rectangular Mounting Brackets

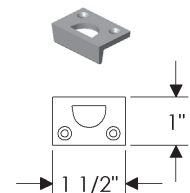
8" Surface Bolt, 2 Brackets	\$ 439
10" Surface Bolt, 2 Brackets	\$ 459
12" Surface Bolt, 2 Brackets	\$ 478
18" Surface Bolt, 2 Brackets	\$ 516
24" Surface Bolt, 3 Brackets	\$ 669
30" Surface Bolt, 3 Brackets	\$ 820
36" Surface Bolt, 3 Brackets	\$ 860
42" Surface Bolt, 4 Brackets	\$ 1,016
48" Surface Bolt, 4 Brackets	\$ 1,052

- Throw = 11/4".
- Supplied with SB6629 Strike.
- Optional strikes—

SB7MS

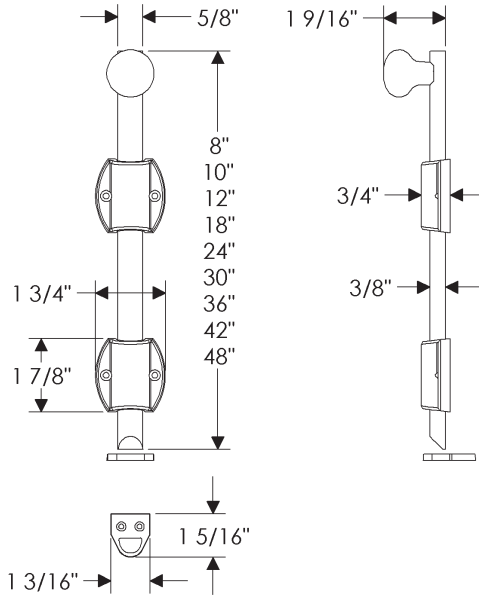
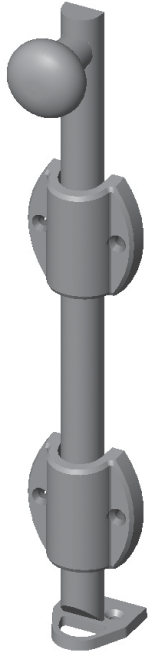


SB7AS



- Specify metal, patina, and bolt length.
- Custom lengths are available. Call for options.

Door Bolts



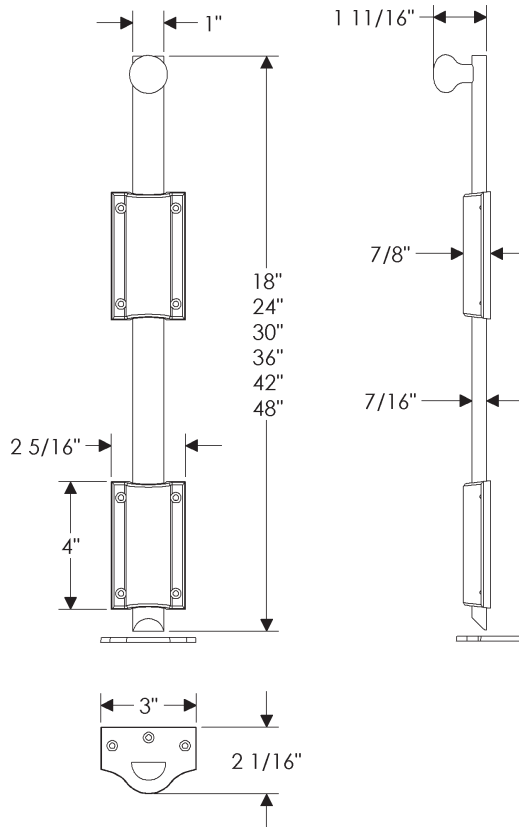
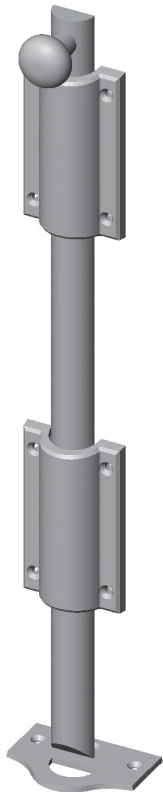
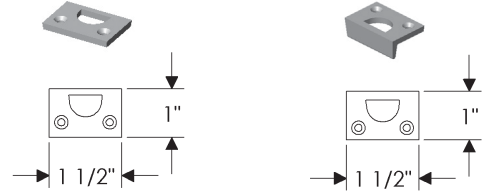
MB9 Surface Bolt, Oval Mounting Brackets

8" Surface Bolt, 2 Brackets	\$ 439
10" Surface Bolt, 2 Brackets	\$ 459
12" Surface Bolt, 2 Brackets	\$ 478
18" Surface Bolt, 2 Brackets	\$ 516
24" Surface Bolt, 3 Brackets	\$ 669
30" Surface Bolt, 3 Brackets	\$ 820
36" Surface Bolt, 3 Brackets	\$ 860
42" Surface Bolt, 4 Brackets	\$ 1,016
48" Surface Bolt, 4 Brackets	\$ 1,052

- Throw = 1 1/4".
- Supplied with SB6629 Strike.
- Optional strikes—

SB7MS

SB7AS



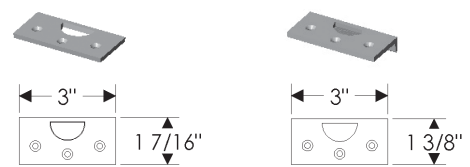
MB12 Surface Bolt, Rectangular Mounting Brackets

18" Surface Bolt, 2 Brackets	\$ 516
24" Surface Bolt, 2 Brackets	\$ 669
30" Surface Bolt, 2 Brackets	\$ 820
36" Surface Bolt, 2 Brackets	\$ 860
42" Surface Bolt, 3 Brackets	\$ 1,016
48" Surface Bolt, 3 Brackets	\$ 1,052

- Throw = 3".
- Supplied with SB1 Strike.
- Optional strikes—

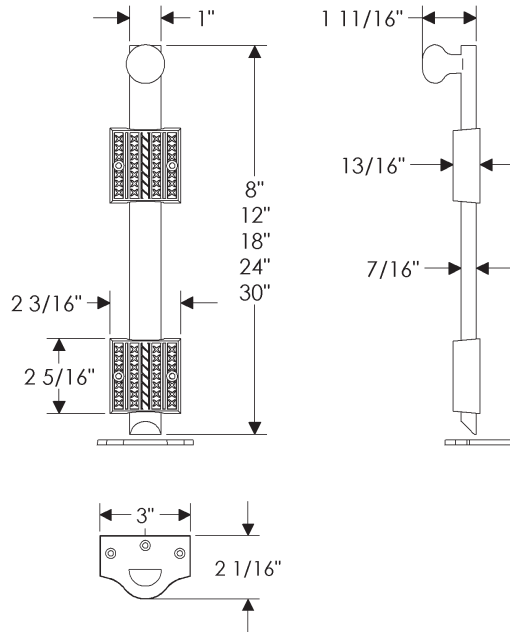
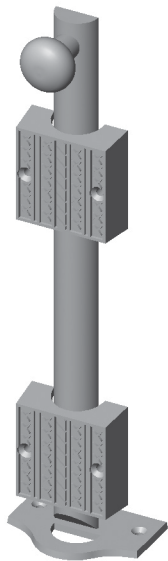
SB2MS

SB2AS



- Specify metal, patina, and bolt length.
- Custom lengths are available. Call for options.

Door Bolts



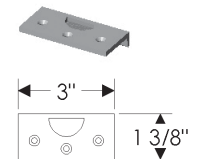
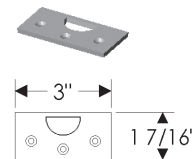
MB14 Surface Bolt, Briggs Mounting Brackets

8" Surface Bolt	\$ 439
12" Surface Bolt	\$ 478
18" Surface Bolt	\$ 516
24" Surface Bolt.....	\$ 554
30" Surface Bolt.....	\$ 592

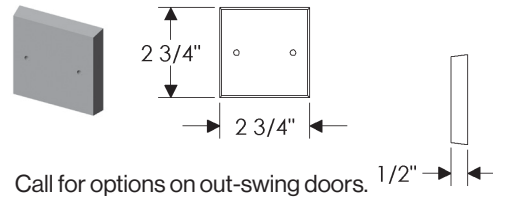
- Throw = 11/4".
- Supplied with SB1 Strike.
- Optional strikes—

SB2MS

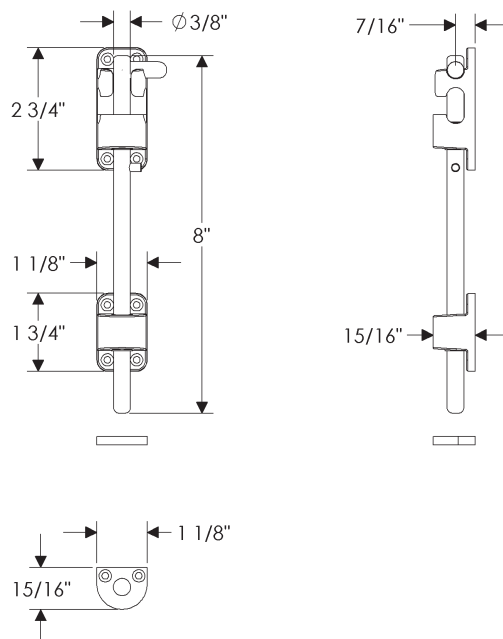
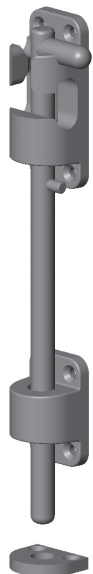
SB2AS



MBR2 Riser Plate..... \$ 71



- Call for options on out-swing doors. 1/2"



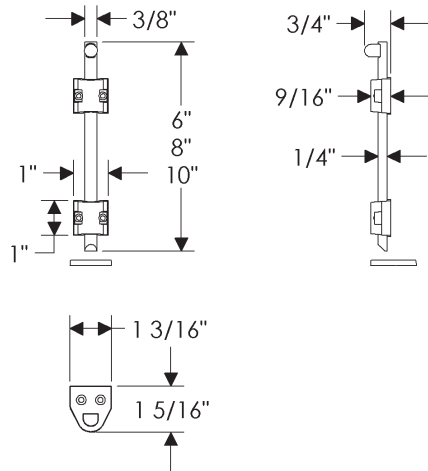
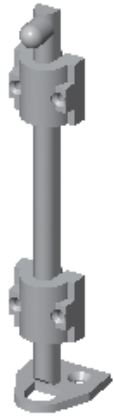
MB20 Surface Bolt

8" Surface Bolt

- Throw = 1"

- Specify metal, patina, and bolt length.
- Custom lengths are available. Call for options.

Door Bolts



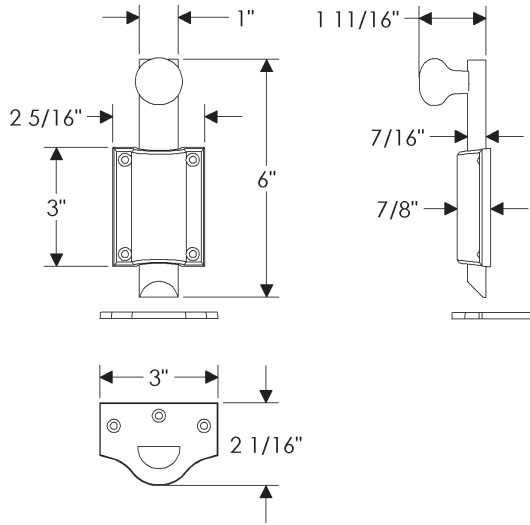
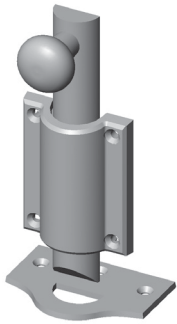
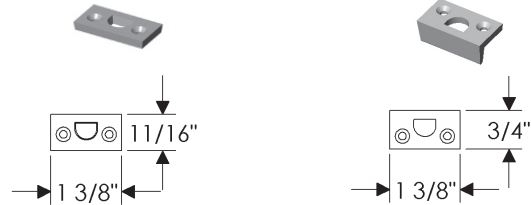
MB3 Mini Surface Bolt, Square Mounting Brackets

6" Mini Surface Bolt.....	\$ 313
8" Mini Surface Bolt.....	\$ 319
10" Mini Surface Bolt.....	\$ 326

- Throw = 3/4".
- Supplied with SB3 Strike.
- Optional strikes—

SB4MS

SB4AS



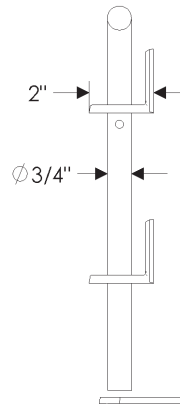
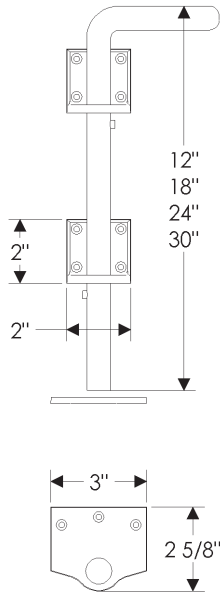
DDB7 Dutch Door Bolt, Rectangular Mounting Brackets

6" Dutch Door Bolt.....	\$ 391
-------------------------	--------

- Throw = 1"

- Specify metal, patina, and bolt length.
- Custom lengths are available. Call for options.

Door Bolts



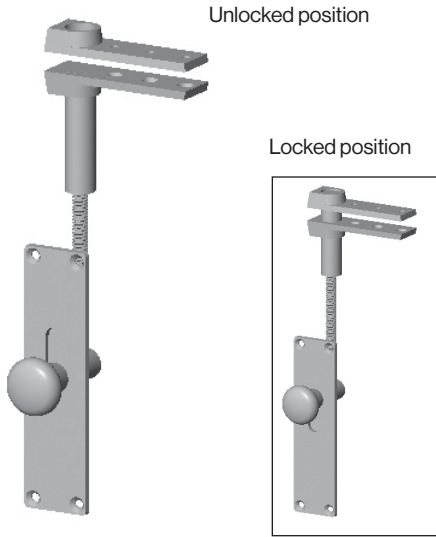
CB Cane Bolt

12" Cane Bolt	\$ 426
18" Cane Bolt	\$ 472
24" Cane Bolt	\$ 511
30" Cane Bolt.....	\$ 553

- Standard throw = 3". Custom throws are possible. Call for options.

- Specify metal, patina, and bolt length.
- Custom lengths are available. Call for options.

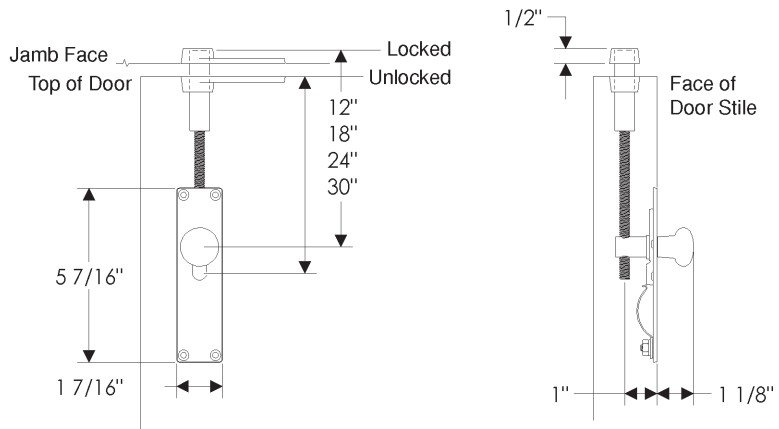
Flush Bolt



FB Flush Bolt

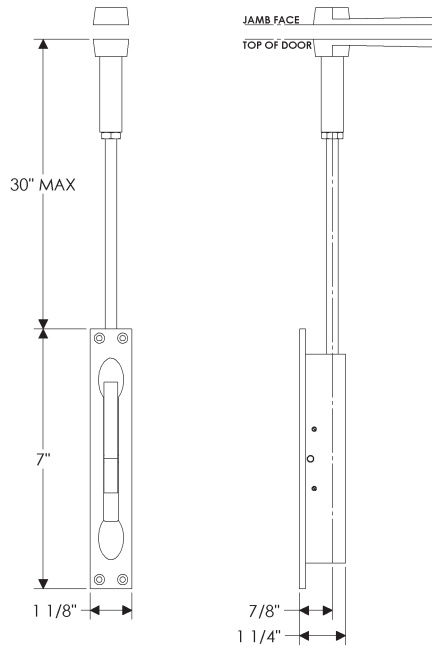
FB112 12" Flush Bolt	\$ 462
FB118 18" Flush Bolt	\$ 470
FB124 24" Flush Bolt	\$ 479
FB130 30" Flush Bolt	\$ 489

- Compatible with 1 3/4" thick and thicker doors.
- Throw = 13/16"



- Specify metal, patina, and bolt length.
- Custom lengths are available. Call for options.

Edge Flush Bolt



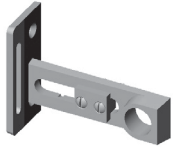
FB105 Edge Flush Bolt

12" Bolt.....	\$ 714
18" Bolt.....	\$ 723
24" Bolt.....	\$ 731
30" Bolt.....	\$ 739
48" Bolt.....	\$ 763

- Compatible with 13/4" thick and thicker doors.
- Throw = 13/16"

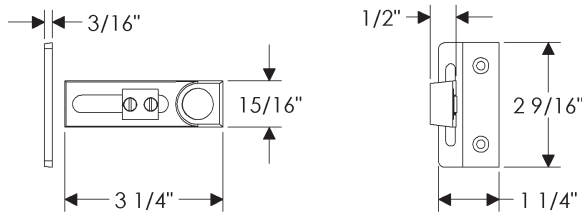
- Specify metal, patina, and bolt length.

Slide Lock

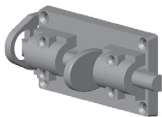


SL230 Slide Lock

3 1/4" \$ 291

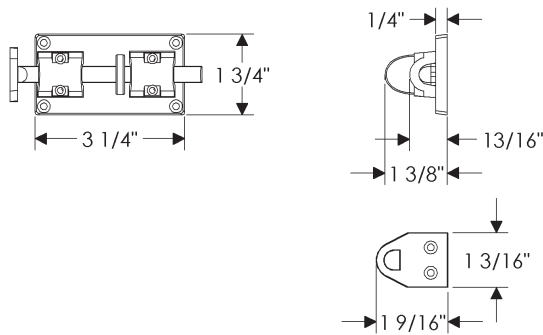


Slide Lock



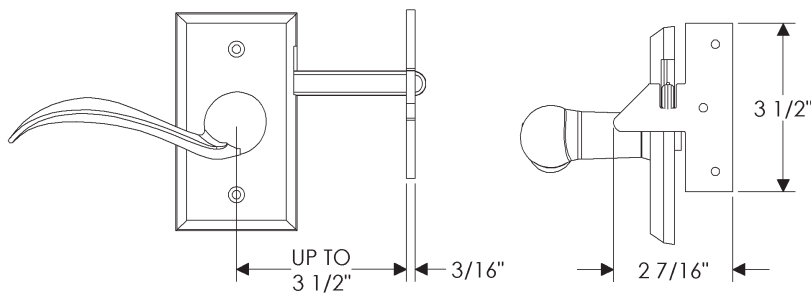
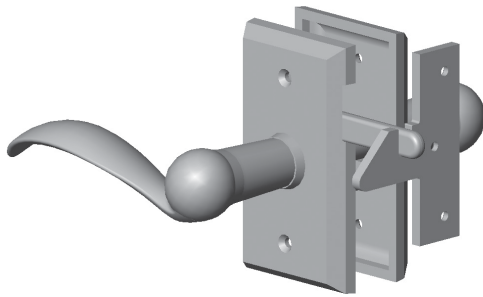
SL235 Slide Lock

3 1/4" \$ 447



- Price includes your choice of handle except for the Crystal Knobs (K150 and K155), where an upcharge applies. Call RMH for pricing.
- Combination is shown with L105 Beavertail lever for illustration purposes only. Refer to Section A for desired handle.
- Specify metal, patina, handing, backset, gate thickness, and lock type.
- Other escutcheons available. Call for options.
- Larger backsets available. Call for pricing.

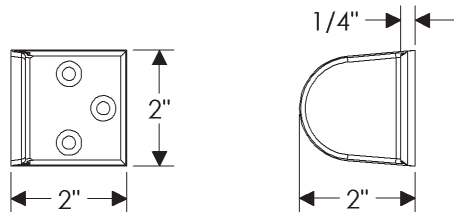
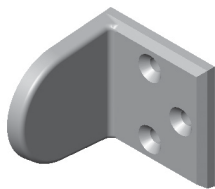
Gate Latches



GL Gate Latch—Passage Function

with E414 Rectangular escutcheon 2 1/2" x 4 1/2"	\$ 769
with E501 Oval escutcheon 2 5/8" x 5 1/4"	\$ 781
with E701 Arched escutcheon 2 1/2" x 5 1/2"	\$ 820
with E304 Stepped escutcheon 2 1/2" x 4 1/2"	\$ 769
with E236 Metro escutcheon 2 1/2" x 4 1/2"	\$ 769
with E504 Curved escutcheon 2 1/2" x 4 1/2"	\$ 769
with E588 Maddox escutcheon 2 3/8" x 7 1/2"	\$ 1,166
with E10831 Briggs escutcheon 3" x 13"	\$ 1,060
with E30403 Hammered escutcheon 2 1/2" x 4 1/2"	\$ 769
with E30503 Convex escutcheon 2 1/2" x 4 1/2"	\$ 1,166

- Includes escutcheons and levers/grips for both sides of gate.
- Must be ordered in full sets.
- Gate stop required to avoid damage to latch.
- Gate stop not included.

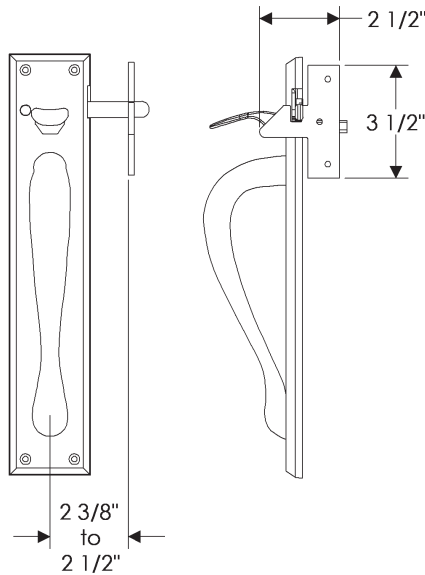
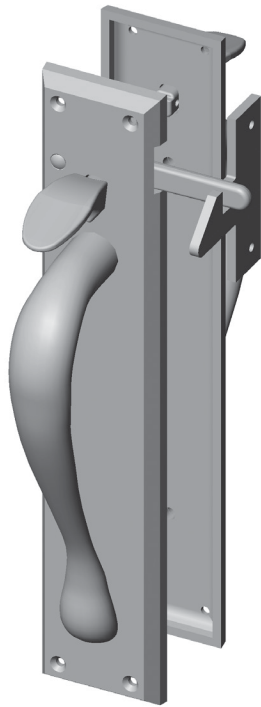


Gate Stop

GS100 2" x 2"	\$ 109
-------------------------------	--------

- Price includes your choice of handle except for the Crystal Knobs (K150 and K155), where an upcharge applies. Call RMH for pricing.
- Combination is shown with G603 7 1/2" Gooseneck grip for illustration purposes only. Refer to Section A for desired handle.
- Specify metal, patina, handing, backset, gate thickness, and lock type.
- 2 1/4" Maximum door thickness.
- Other escutcheons available. Call for options.
- Larger backsets available. Call for pricing.

Gate Latches



GL Gate Latch—Thumb Latch Function

with E465 Rectangular escutcheon

3 1/2" x 13" \$1,593

with E480 Rectangular escutcheon

2 1/2" x 13" \$1,549

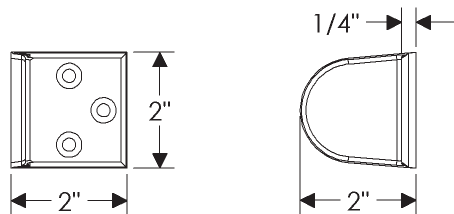
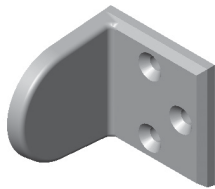
with E707 Arched escutcheon

3" x 13" \$1,593

with G560 Curved escutcheon

2 3/4" x 13" \$1,612

- Includes escutcheons and levers/grips for both sides of gate.
- Must be ordered in full sets.
- Gate stop required to avoid damage to latch.
- Gate stop not included.



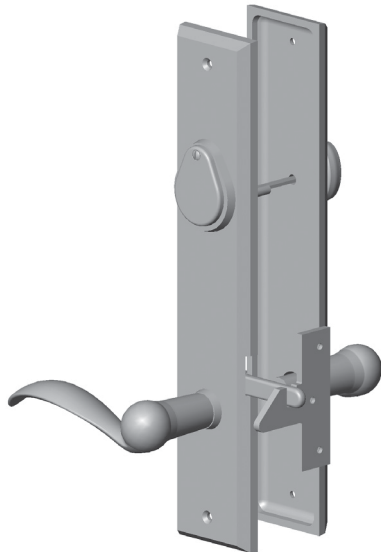
Gate Stop

GS100

2" x 2" \$109

- Price includes your choice of handle except for the Crystal Knobs (K150 and K155), where an upcharge applies. Call RMH for pricing.
- Combination is shown with L105 Beavertail lever for illustration purposes only. Refer to Section A for desired handle.
- Specify metal, patina, handing, backset, gate thickness, and lock type.
- Other escutcheons available. Call for options.
- Larger backsets available. Call for pricing.

Gate Latches



GL Gate Latch—Deadbolt Function

with Ellis E075 exterior & E063 interior escutcheons

3" x 13" \$ 1,446

with Rectangular E438 exterior & E437 interior escutcheons

2 1/2" x 13" \$ 1,125

with Rectangular E475 exterior & E463 interior escutcheons

3 1/2" x 13" \$ 1,192

with Arched E738 exterior & E737 interior escutcheons

2 1/2" x 13" \$ 1,125

with Stepped E358 exterior & E357 interior escutcheons

2 1/2" x 13" \$ 1,125

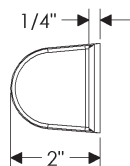
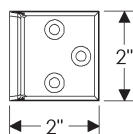
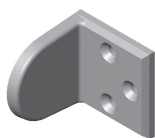
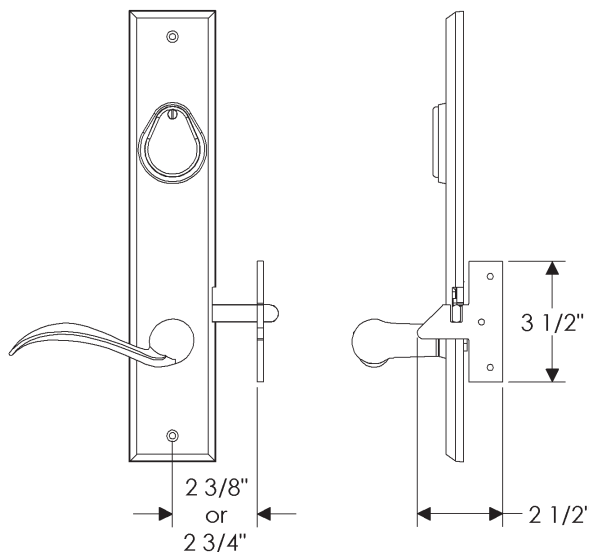
with Curved E558 exterior & E557 interior escutcheons

2 1/2" x 13" \$ 1,125

with Metro E258 exterior & E257 interior escutcheons

2 1/2" x 13" \$ 1,125

- Includes escutcheons and levers for both sides of gate
- Gate stop required to avoid damage to latch.
- Gate stop not included.



Gate Stop

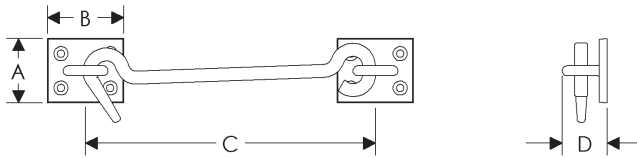
GS100

2" x 2" \$ 109

- Specify metal and patina.

Hook and Eyes

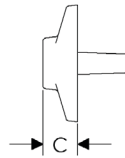
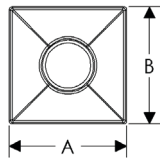
	A	B	C	D	Price
HE4S	2"	2 3/8"	4"	17/16"	\$ 236
HE6S	2"	2 3/8"	6"	17/16"	\$ 270
HE9S	2"	2 3/8"	9"	17/16"	\$ 274
HE12S	2"	2 3/8"	12"	17/16"	\$ 283
HE20S	2"	2 3/8"	20"	17/16"	\$ 346



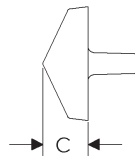
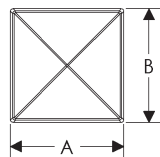
- Specify metal and patina.

Clavos

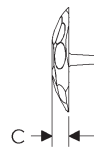
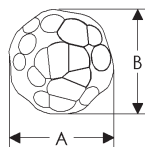
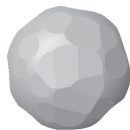
	A	B	C	Price
DC1	1 1/4"	1 1/4"	3/8"	\$ 41
DC9	1 5/8"	1 5/8"	1/2"	\$ 46



	A	B	C	Price
DC5	3/8"	3/8"	3/16"	\$ 31
DC2	7/8"	7/8"	3/8"	\$ 39
DC6	1 1/4"	1 1/4"	1/2"	\$ 41
DC8	2"	2"	3/4"	\$ 46



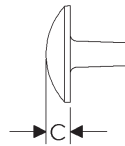
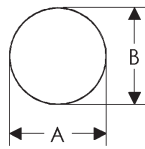
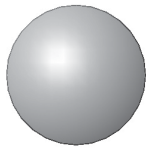
	A	B	C	Price
DC7	7/8"	7/8"	3/8"	\$ 39
DC3	1 1/4"	1 1/4"	3/8"	\$ 41
DC4	1 3/4"	1 3/4"	1/4"	\$ 46



- Specify metal and patina.

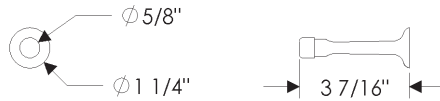
Clavos

	A	B	C	Price
DC15	1"	1"	1/4"	\$41

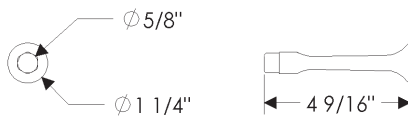


- Specify metal and patina.

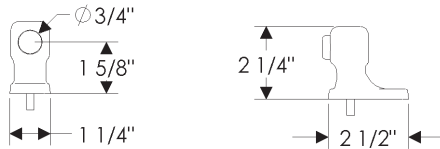
Door Stops



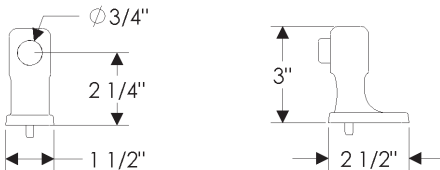
DS101 Door Stop — Baseboard
3 7/16" \$ 60



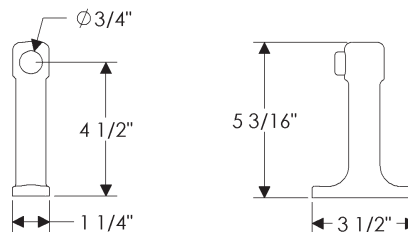
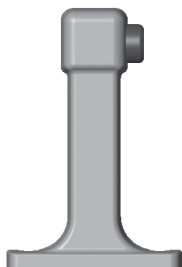
DS141 Door Stop — Baseboard
4 9/16" \$ 70



DS201 Door Stop — Floor
15/8" \$ 109



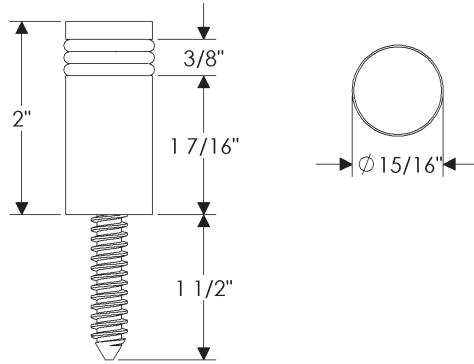
DS230 Door Stop — Floor
2 1/4" \$ 115



DS232 Door Stop — Floor
4 1/2" \$ 185

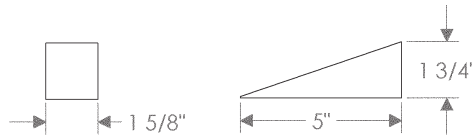
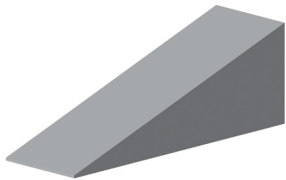
- Specify metal and patina.

Door Stops



DS150 Door Stop — Floor

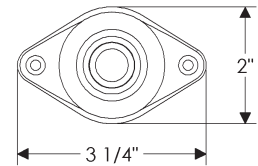
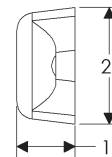
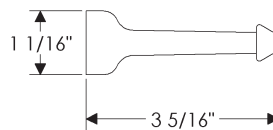
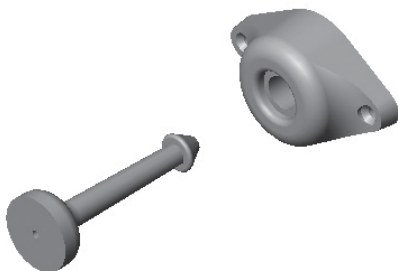
7/8" x 2" \$ 120



DSH401 Door Stop — Floor

1 3/4" x 5" \$ 181

Door Stop & Holder

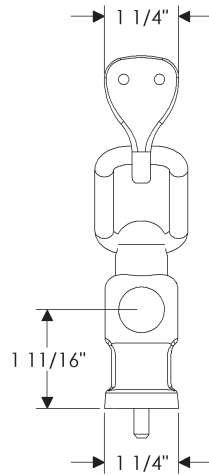
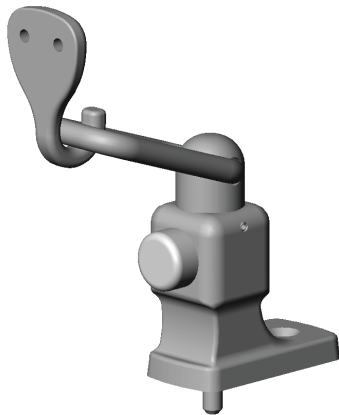


DSH301 Door Stop & Holder

3 5/16" \$ 196

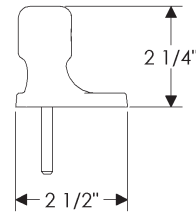
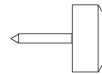
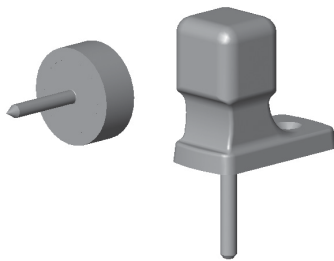
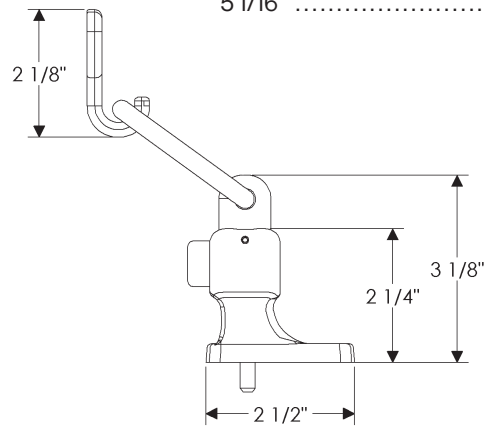
- Specify metal and patina.

Door Stop & Holder



DSH201 Door Stop & Holder

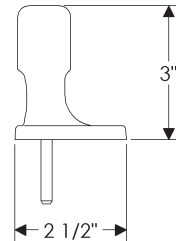
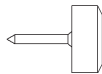
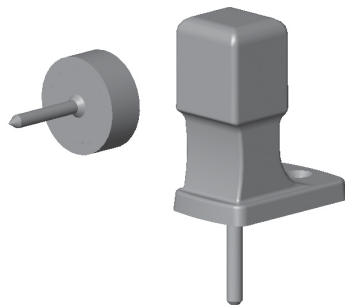
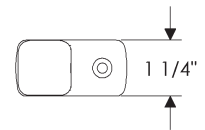
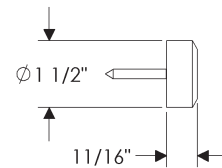
5 1/16" \$ 396



DSH205 Magnetic Door Stop

2 1/4" \$ 376

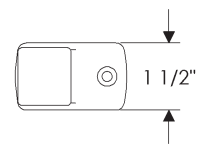
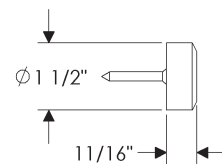
- For use with interior doors only.



DSH235 Magnetic Door Stop

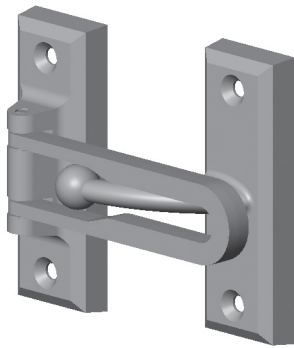
3" \$ 381

- For use with interior doors only.



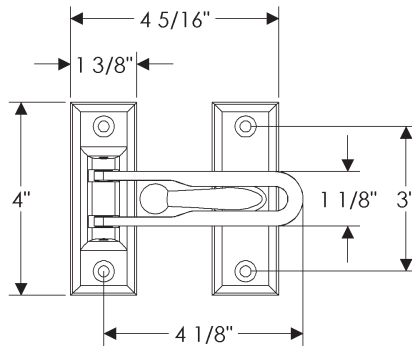
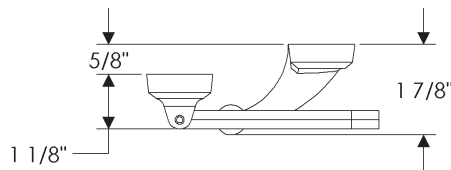
- Specify metal and patina.

Door Guard

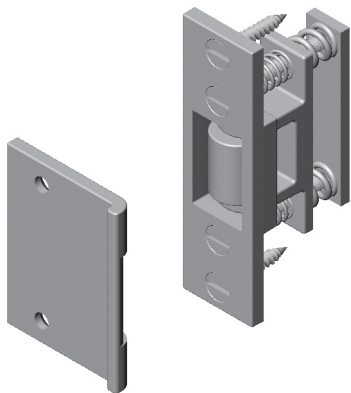


DG1 Door Guard

4" x 4 1/8" \$ 332

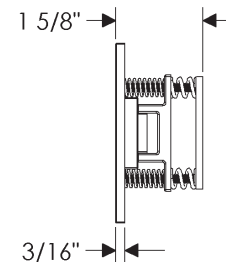
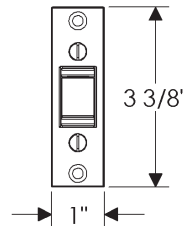
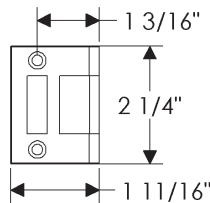
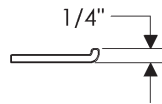


Roller Latch



RL10 Roller Latch

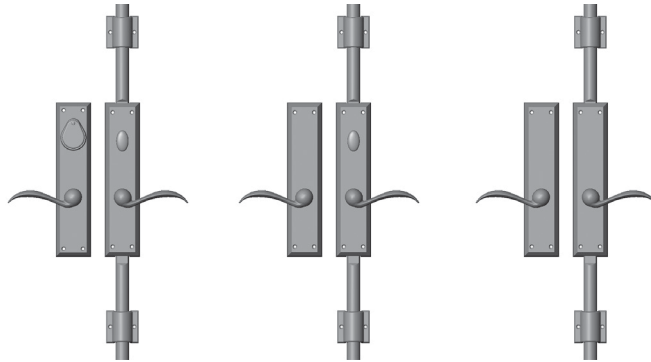
1" x 3 3/8" \$ 198



- Price includes choice of finish and handle. Knobs not recommended.
- Operation of exterior lever must be specified before order can be placed. Specify escutcheon, lever, bracket, metal, and patina.
- 10' maximum height. Larger heights available. Call for pricing.
- Provide cheat sheet on page Mi with specific details.

Cremone Bolts

A

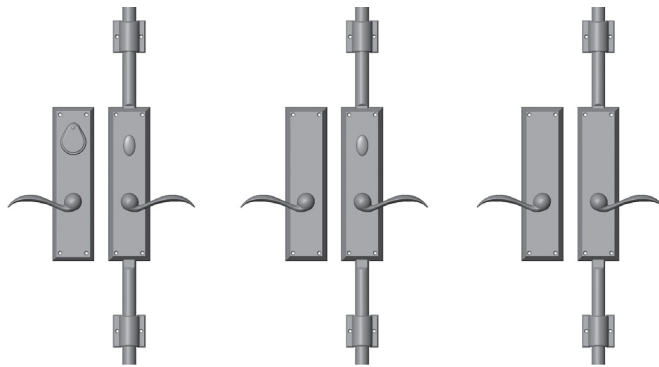


CE413 CE411

CE409 CE411

CE409 CE410

B



CE423 CE421

CE419 CE421

CE419 CE420

A 2 1/2" x 11" Rectangular Escutcheon

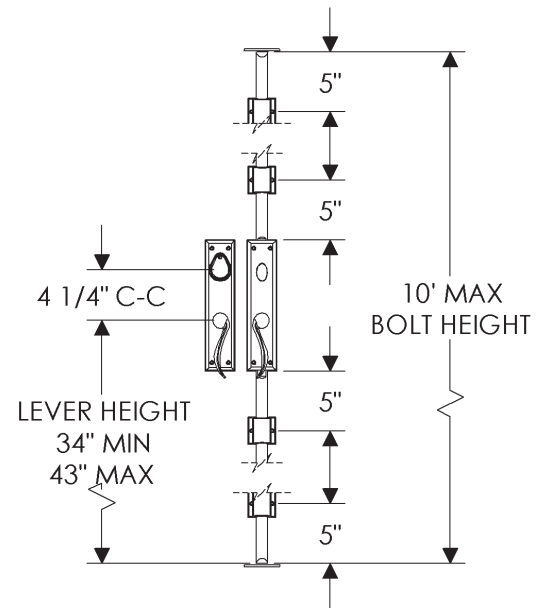
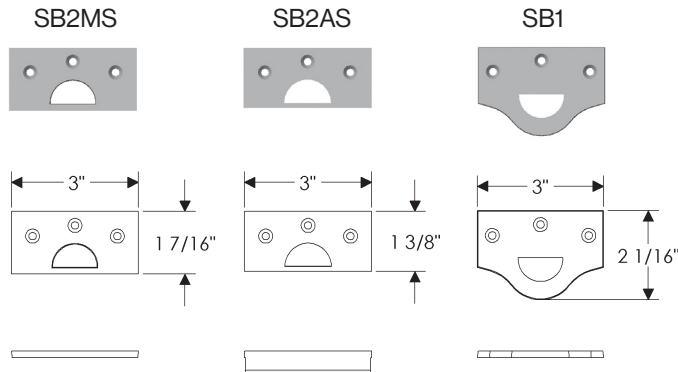
CE413 / CE411 Entry Deadbolt	\$ 3,578
CE409 / CE411 Patio Deadbolt.....	\$ 3,475
CE409 / CE410 Passage	\$ 3,286
Specify exterior lever as fixed or active.	
CE410 Interior Cremone only.....	\$ 2,923
Refer to spec page B113	

B 3" x 11" Rectangular Escutcheon

CE423 / CE421 Entry Deadbolt.....	\$ 3,578
CE419 / CE421 Patio Deadbolt.....	\$ 3,475
CE419 / CE420 Passage	\$ 3,286
Specify exterior lever as fixed or active.	
CE420 Interior Cremone only.....	\$ 2,923
Refer to spec page B113	

- Throw = 7/8"
- Specify strike

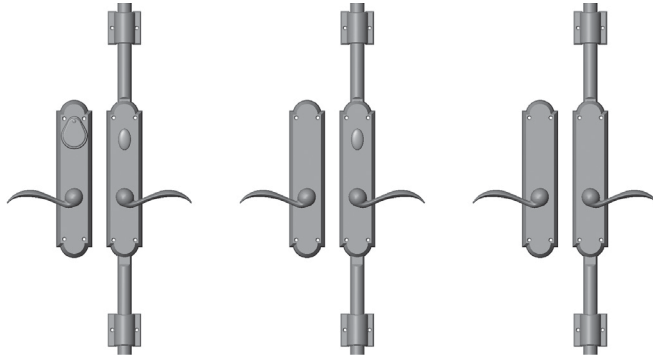
Strike Options:



- Price includes choice of finish and handle. Knobs not recommended.
- Operation of exterior lever must be specified before order can be placed. Specify escutcheon, lever, bracket, metal, and patina.
- 10' maximum height. Larger heights available. Call for pricing.
- Provide cheat sheet on page Mi with specific details.
- Refer to Section B for Escutcheon Specifications.

Cremone Bolts

A



CE713 CE711

CE709 CE711

CE709 CE710

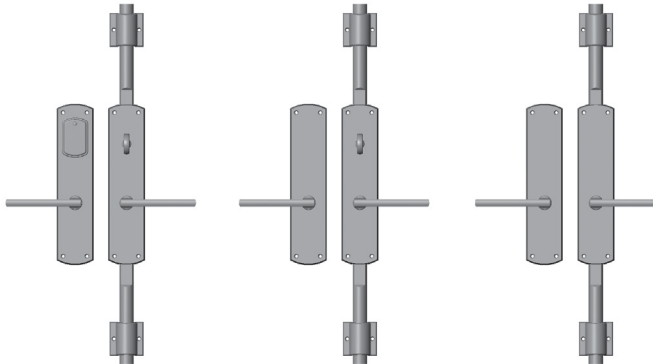
A 2 1/2" x 11" Arched Escutcheon

- CE713 / CE711 Entry Deadbolt\$ 3,578
- CE709 / CE711 Patio Deadbolt\$ 3,475
- CE709 / CE710 Passage\$ 3,286
- Specify exterior lever as fixed or active.
- CE710 Interior Cremone only\$ 2,923
- Refer to spec page B14

B 2 1/2" x 11" Curved Escutcheon

- CE513 / CE511 Entry Deadbolt\$ 3,578
- CE509 / CE511 Patio Deadbolt\$ 3,475
- CE509 / CE510 Passage\$ 3,286
- Specify exterior lever as fixed or active.
- CE510 Interior Cremone only\$ 2,923
- Refer to spec page B46

B



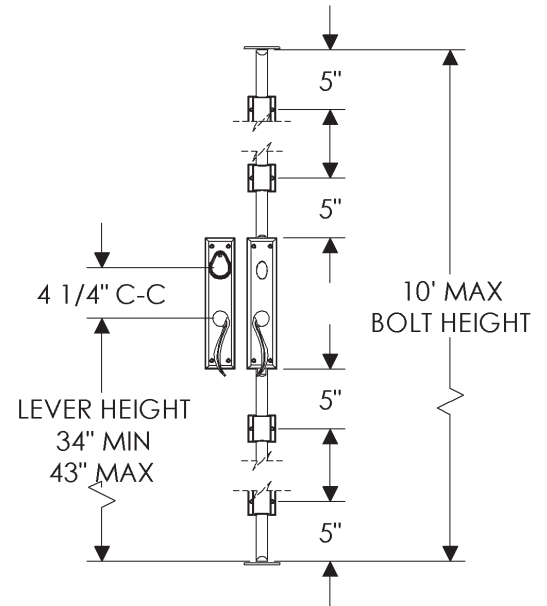
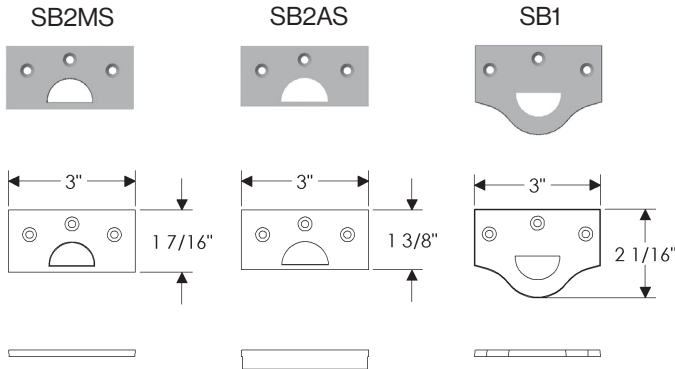
CE513 CE511

CE509 CE511

CE509 CE510

- Throw = 7/8"
- Specify strike

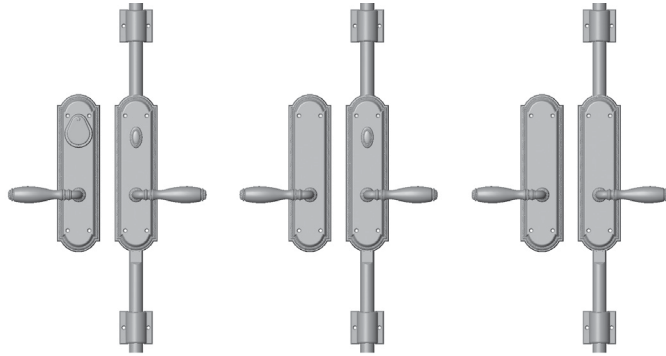
Strike Options:



- Price includes choice of finish and handle. Knobs not recommended.
- Operation of exterior lever must be specified before order can be placed. Specify escutcheon, lever, bracket, metal, and patina.
- 10' maximum height. Larger heights available. Call for pricing.
- Provide cheat sheet on page Mi with specific details.
- Refer to Section B for Escutcheon Specifications.

Cremone Bolts

A



CE012 CE011

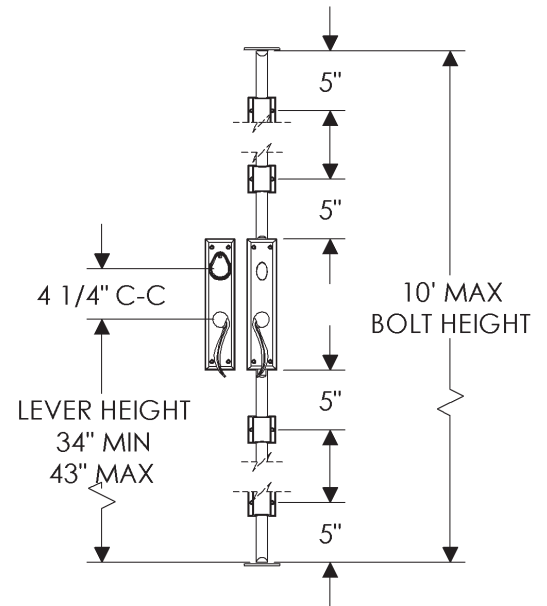
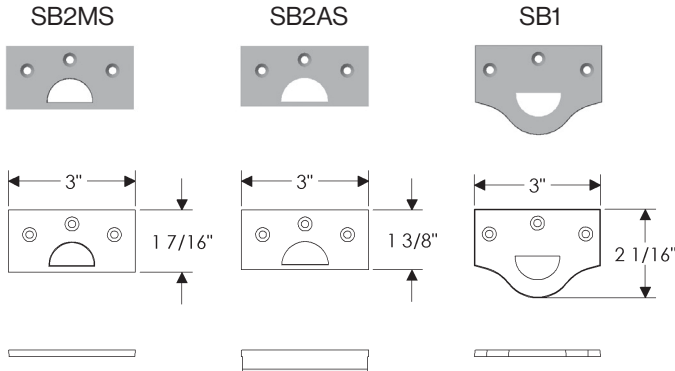
CE009 CE011

CE009 CE010

A 3" x 11" Ellis Escutcheon

- CE012 / CE011 Entry Deadbolt.....\$ 4,017
- CE009 / CE011 Patio Deadbolt\$ 3,914
- CE009 / CE010 Passage.....\$ 3,725
- Specify exterior lever as fixed or active.
- CE010 Interior Cremone only\$ 3,362
- Refer to spec page B65
- Throw = 7/8"
- Specify strike

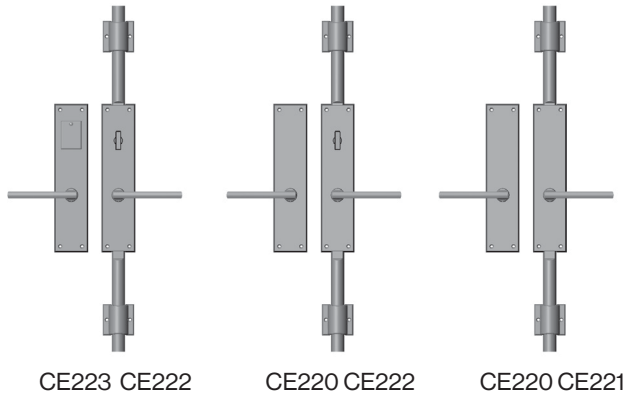
Strike Options:



- Price includes choice of finish and handle. Knobs not recommended.
- Operation of exterior lever must be specified before order can be placed. Specify escutcheon, lever, bracket, metal, and patina.
- 10' maximum height. Larger heights available. Call for pricing.
- Provide cheat sheet on page Mi with specific details.
- Refer to Section B for Escutcheon Specifications.

Cremone Bolts

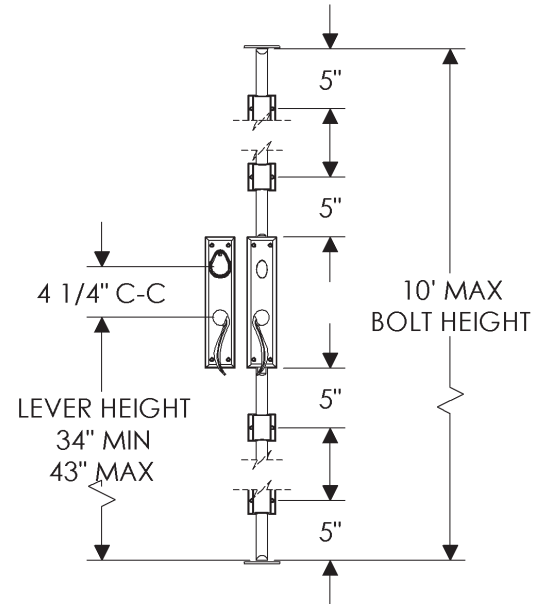
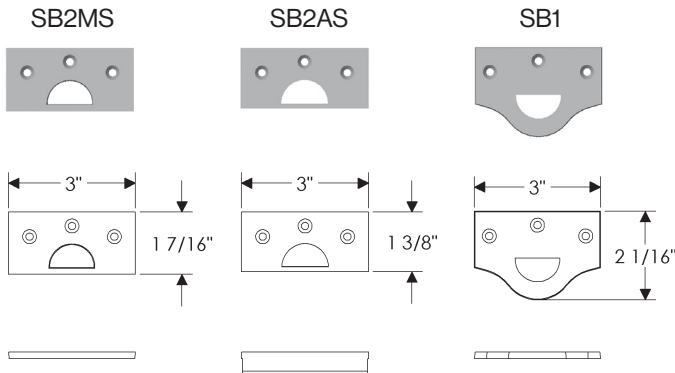
A



A 2 1/2" x 11" Metro Escutcheon

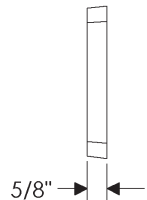
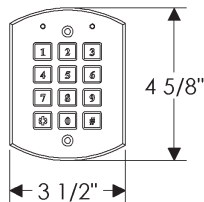
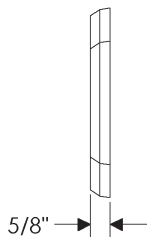
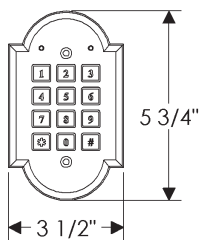
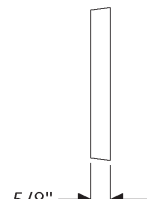
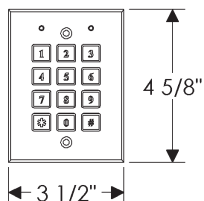
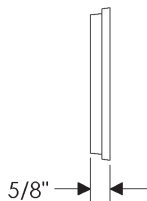
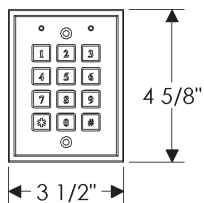
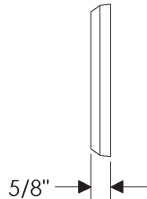
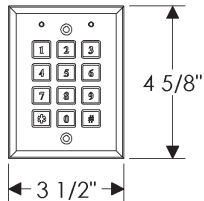
- CE223/CE222 Entry Deadbolt\$ 3,578
- CE220/CE222 Patio Deadbolt.....\$ 3,475
- CE220/CE221 Passage.....\$ 3,286
- Specify exterior lever as fixed or active.
- CE221 Interior Cremone only.....\$ 2,956
- Throw = 7/8"
- Specify strike

Strike Options:



- Keypad works with your choice of an electronic mortise lock or electronic strike with either 12 or 24 volt power.
- Keypad is DC compatible only.
- Keypad is a separate piece from the door hardware.
- Call RMH for compatibility with hardware.
- Not compatible with Level Bolt or Smart Entry.

Keypad Entry System



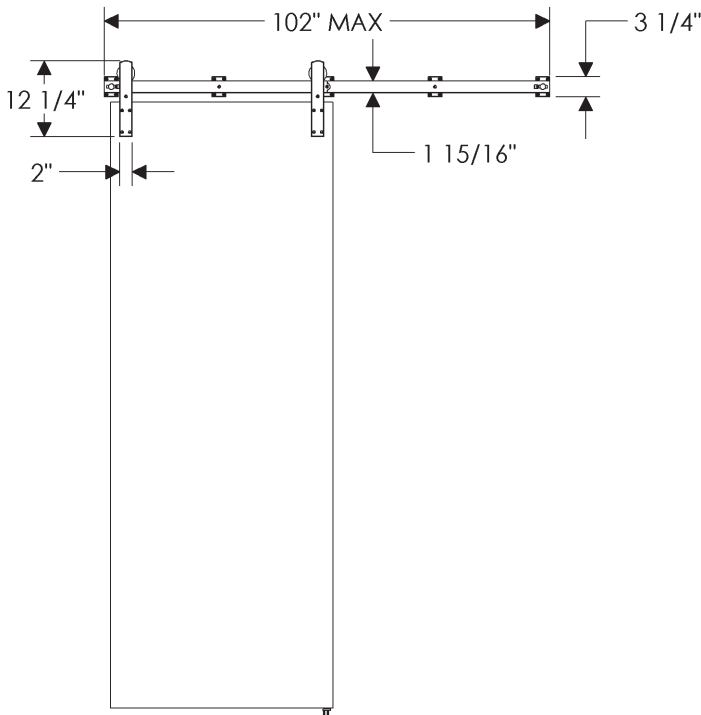
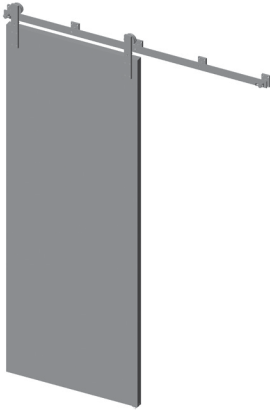
Keypad Escutcheon Options

- A KEY400 Rectangular Escutcheon**
3 1/2" x 4 5/8".....\$ 1,539
- B KEY300 Stepped Escutcheon**
3 1/2" x 4 5/8".....\$ 1,539
- C KEY200 Metro Escutcheon**
3 1/2" x 4 5/8".....\$ 1,539
- D KEY700 Arched Escutcheon**
3 1/2" x 5 3/4".....\$ 1,539
- E KEY500 Curved Escutcheon**
3 1/2" x 4 5/8".....\$ 1,539

- Combined with electronic mortise lock.....(Call for Pricing)
* Electronic hinges required.
* Door hardware not included in price
- Combined with electronic strike..... \$ 2,801
* Door hardware not included in price

- 102" maximum length.
- Compatible with 1 3/4" - 2 1/4" thick doors.
- Specify metal, patina, and door specifications. See information sheet on page M vi.
- Call RMH for pricing on custom lengths and door thicknesses.

Door Track System



TRK100 Single Track System

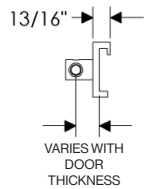
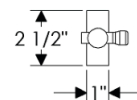
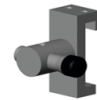
102" \$7,544

- Pricing includes floor guide
- Door not included

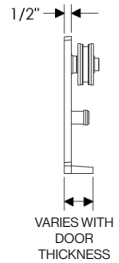
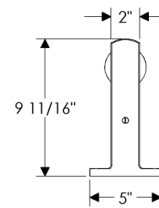
Track System Options

Adjustable Stop No Up-charge

- Includes 2 Stops

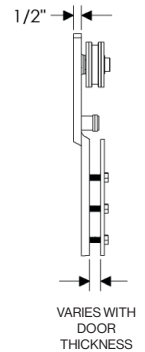
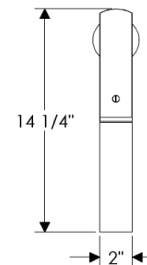


Top Door Mount No Up-charge



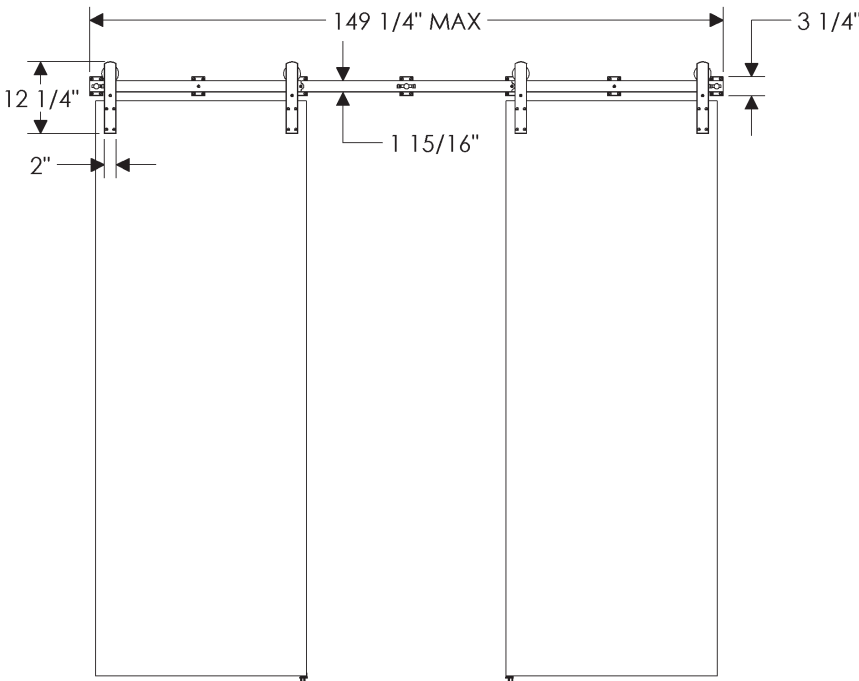
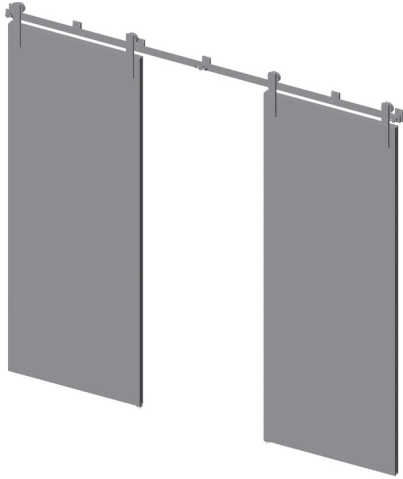
Glass Door Mount \$640

- Includes 2 Door Mounts



- 149 1/4" maximum length.
- Compatible with 1 3/4" - 2 1/4" thick doors.
- Specify metal, patina, and door specifications. See information sheet on page M vi.
- Call RMH for pricing on custom lengths and door thicknesses.

Door Track System



TRK110 Double Track System

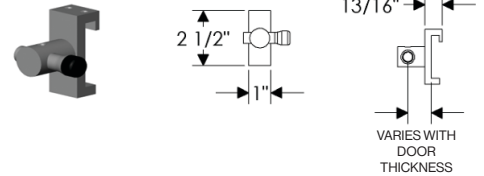
149 1/4" \$ 12,055

- Pricing includes floor guides
- Doors not included

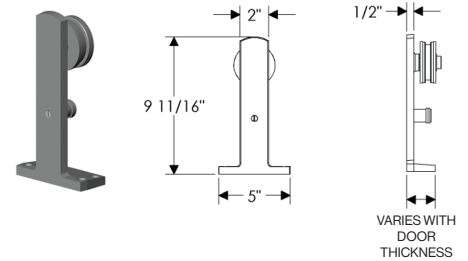
Track System Options

Adjustable Stop No Up-charge

- Includes 2 Stops



Top Door Mount No Up-charge



Glass Door Mount \$ 1,279

- Includes 4 Door Mounts

