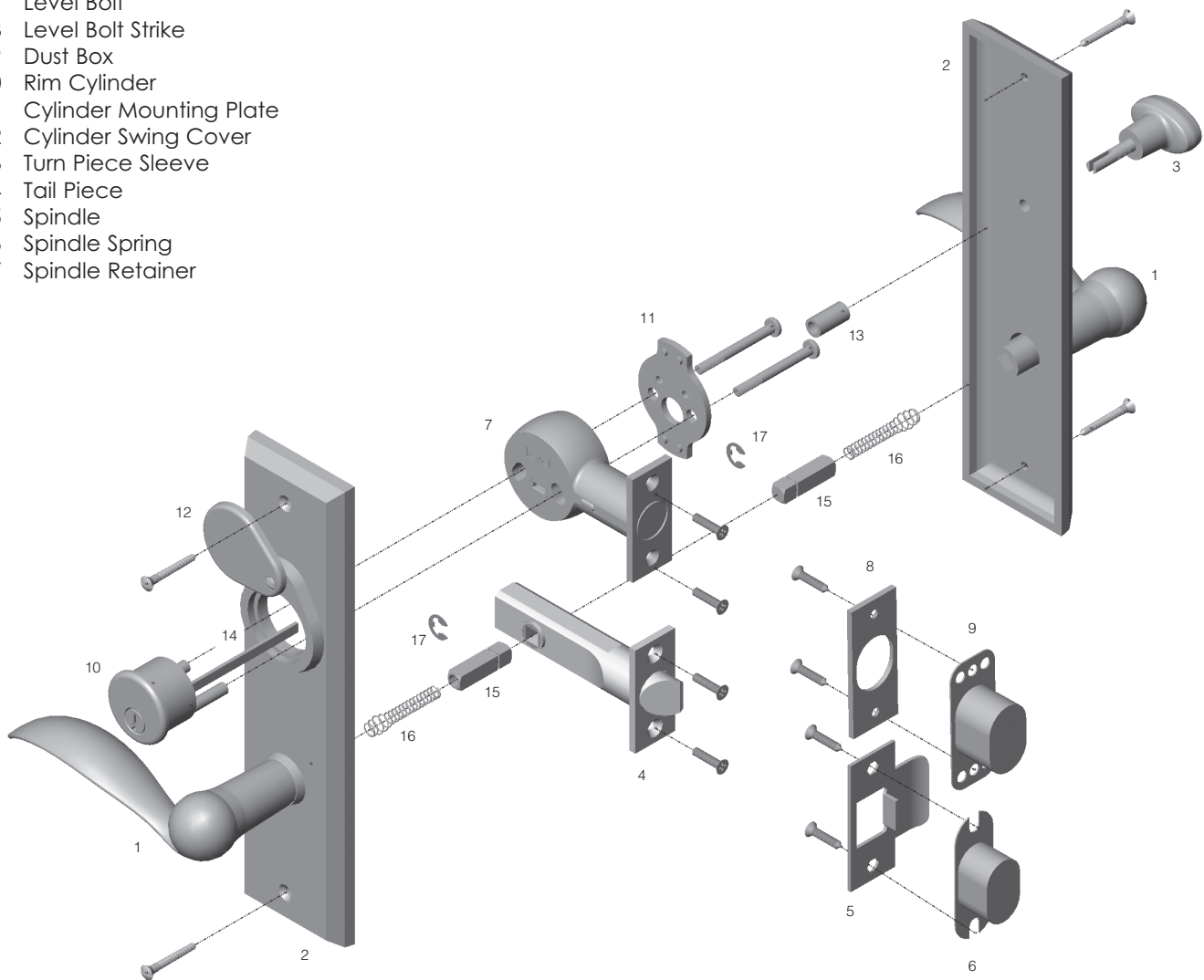


# ROCKY MOUNTAIN

H A R D W A R E

## Entry Spring Latch / Level Bolt - Lever to Lever

- 1 Lever
- 2 Escutcheon
- 3 Turn Piece
- 4 Spring Latch
- 5 T-Strike
- 6 T-Strike Dust Box
- 7 Level Bolt
- 8 Level Bolt Strike
- 9 Dust Box
- 10 Rim Cylinder
- 11 Cylinder Mounting Plate
- 12 Cylinder Swing Cover
- 13 Turn Piece Sleeve
- 14 Tail Piece
- 15 Spindle
- 16 Spindle Spring
- 17 Spindle Retainer

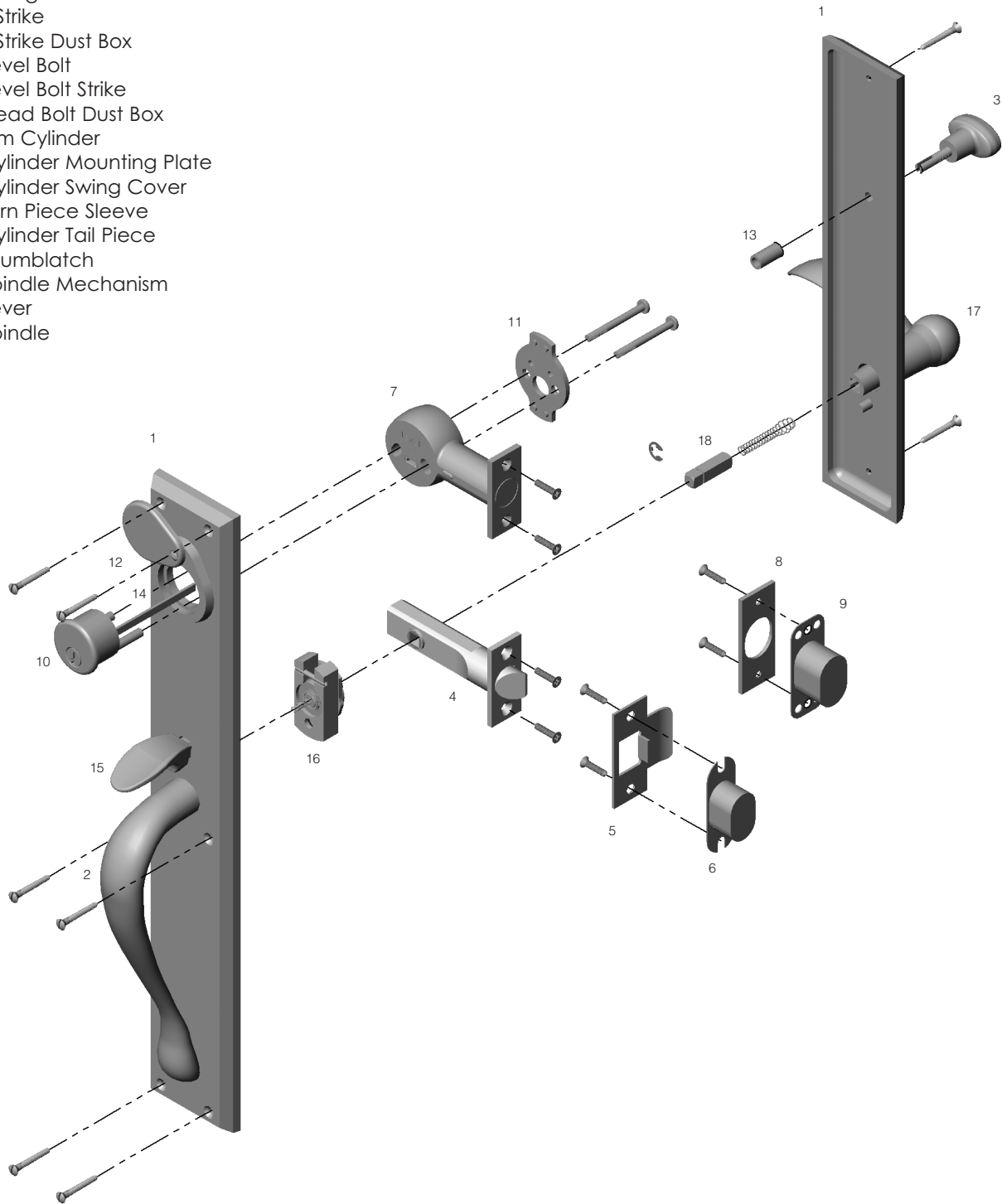


# ROCKY MOUNTAIN

H A R D W A R E

## Entry Spring Latch / Level Bolt - Grip to Lever

- 1 Escutcheon
- 2 Grip
- 3 Turn Piece
- 4 Spring Latch
- 5 T-Strike
- 6 T-Strike Dust Box
- 7 Level Bolt
- 8 Level Bolt Strike
- 9 Dead Bolt Dust Box
- 10 Rim Cylinder
- 11 Cylinder Mounting Plate
- 12 Cylinder Swing Cover
- 13 Turn Piece Sleeve
- 14 Cylinder Tail Piece
- 15 Thumbblatch
- 16 Spindle Mechanism
- 17 Lever
- 18 Spindle

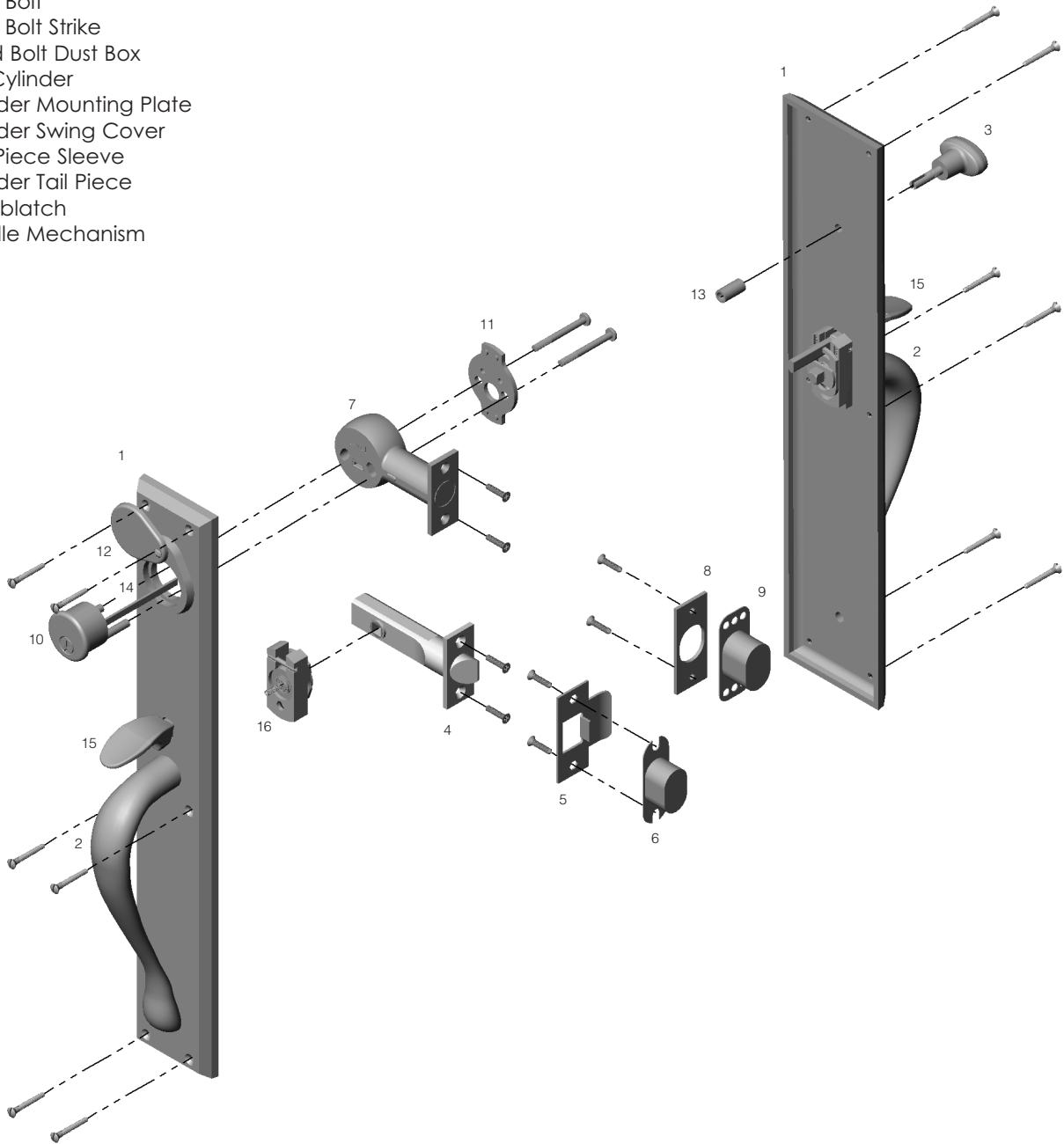


# ROCKY MOUNTAIN

H A R D W A R E

## Entry Spring Latch / Level Bolt - Grip to Grip

- 1 Escutcheon
- 2 Grip
- 3 Turn Piece
- 4 Spring Latch
- 5 T-Strike
- 6 T-Strike Dust Box
- 7 Level Bolt
- 8 Level Bolt Strike
- 9 Dead Bolt Dust Box
- 10 Rim Cylinder
- 11 Cylinder Mounting Plate
- 12 Cylinder Swing Cover
- 13 Turn Piece Sleeve
- 14 Cylinder Tail Piece
- 15 Thumb latch
- 16 Spindle Mechanism



# ROCKY MOUNTAIN

H A R D W A R E

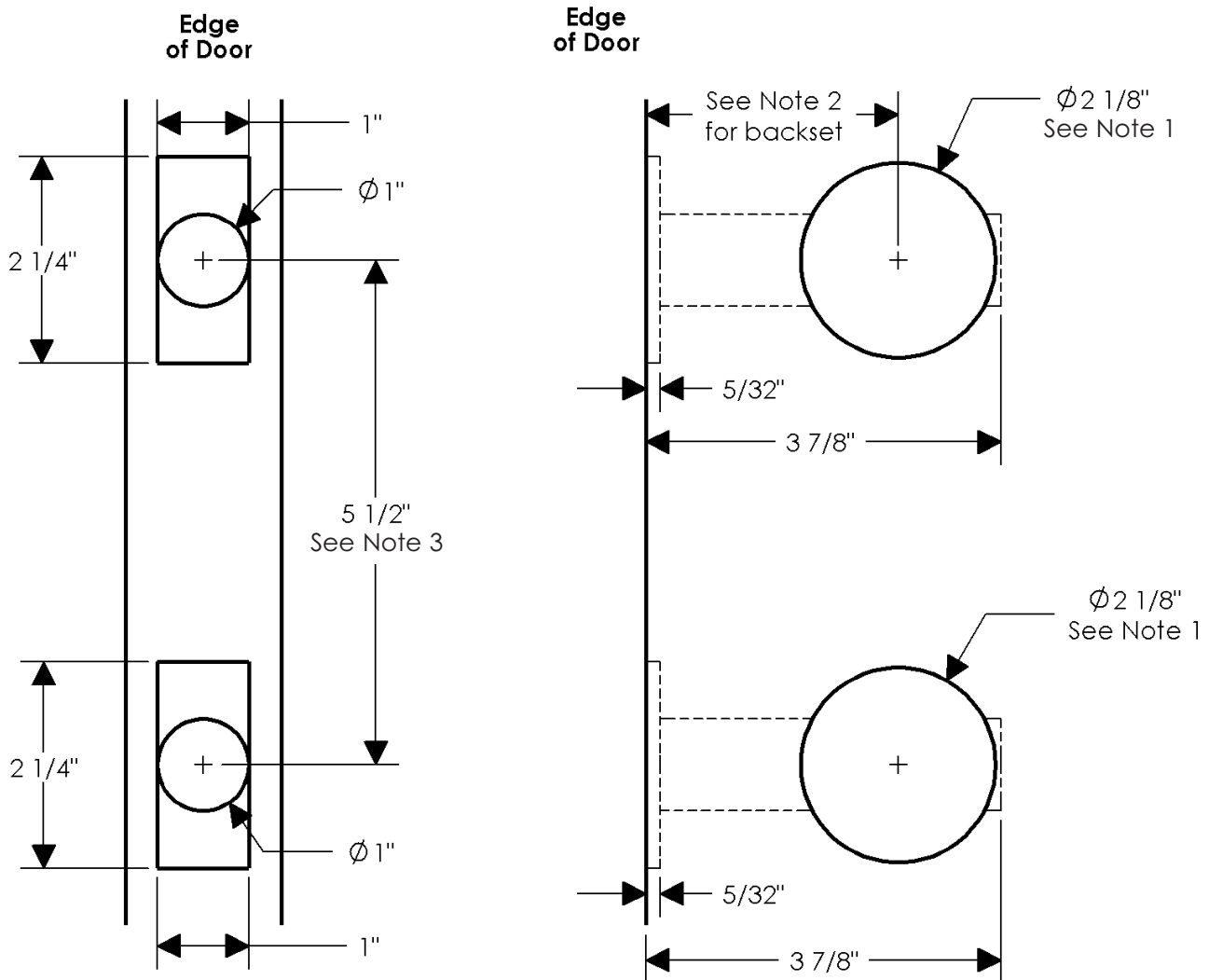
## LEVEL BOLT COLLECTION - DOOR PREPARATORY SPECIFICATIONS

### Entry Spring Latch/Dead Bolt - Interior & Exterior

Not Applicable to Element, or Bluetooth Mortise Lock Options

Notes:

1. This face bore requires escutcheons 2 1/2" or wider.
2. This bore specification is applicable for 2 3/8" or 2 3/4" backset spring latch/dead bolts.
3. This center-to-center dimension may change with escutcheon selection.





## LEVEL BOLT COLLECTION - DOOR PREPARATORY SPECIFICATIONS

### Strike - Entry Spring Latch/Dead Bolt 5 1/2" Center to Center

Notes:

1. This dimension is 1/2 of door thickness, eg., 1 3/4" divided by 2 = 7/8". This dimension will have to be adjusted for different door thicknesses and unusual jamb or door conditions.
2. This center-to-center dimension may change with escutcheon selection.

