

Sample Order / Cheat Sheet
K Builder Series 1/2

QUOTE ORDER

NAME: _____

PO# _____

ADDRESS: _____

DELIVERY: _____

OFFICE PHONE: _____

ADDRESS: _____

FAX PHONE: _____

JOB PHONE: _____



ORDER DATE: _____

CONTACT: _____

JOB NAME: _____

HARDWARE WORK ORDER

Toll Free 888.788.2013 or 208.788.2013; Fax 208.788.2577

201012

LINE NO.	FUNCTION	HANDLE		ESCUTCHEON		METAL	PATINA	HANDING OR LENGTH	BACKSET	DOOR THICKNESS	LOCK TYPE	DEAD BOLT TRIM	DESCRIPTION	LOCATION #	QTY.	PRICE QUOTED
		EXTERIOR	INTERIOR	EXTERIOR	INTERIOR											
1	BPA	LB60	LB60	EB40	EB40	B	D	R	238	138	SL			1	1	\$ 347
2	BPR	LB50	LB50	EB75	EB75	B	R	L	234	134	SL			2	1	\$ 390
3	BDU	KB60	KB60	EB50	EB50	W	L	L						3	1	\$ 258
4	BDU	LB50	N	EB55	N	W	M	R						4	1	\$ 145

FUNCTION

- BPA = Builder Passage
- BPR = Builder Privacy
- BDU = Builder Dummy
- BHNG = Extruded Door Hinge

HANDLE

For a list of Levers and Knobs available for Builder Series Sets, see next page.

For specifications, refer to Page K1.

ESCUTCHEONS

For a list of Escutcheons available for Builder Series Sets, see next page.

For configurations, specifications, and pricing, refer to content of this section.

METAL

- B = Silicon Bronze
- W = White Bronze

PATINA

- L = Light
- M = Medium
- D = Dark
- R = Rust
- BB = Brushed
- DL = Dark Lustre
- HP = High Polished *
- *Up-charge applies.

HANDING

See Hinged Door Handing diagram, next page.

- L = Left Hand
- R = Right Hand
- LR = Left Hand Reverse
- RR = Right Hand Reverse

BACKSET

- 238 = 2 3/8" SL
- 212 = 2 1/2" ML
- 234 = 2 3/4" SL
- 234 = 2 3/4" ML
- N = No

DOOR THICKNESS

- 138 = 1 3/8"
 - 112 = 1 1/2"
 - 134 = 1 3/4"
- Up-charge for sizes below.
Call for pricing.
- 214 = 2 1/4"
 - 212 = 2 1/2"
 - 258 = 2 5/8"
 - 234 = 2 3/4"
 - 3 = 3"
 - 314 = 3 1/4"
 - 312 = 3 1/2"
 - 4 = 4"
 - N = No

LOCK TYPE

- Complete Sets
- SL = Spring Latch
- ML = Mortise Lock

DEAD BOLT TRIM

Not Applicable

DESCRIPTION

See Page Kii

LOCATION #

Room Number or Door Number, etc.

QTY

Number of each desired

PRICE

\$ List price each

Sample Order / Cheat Sheet

K Builder Series 2/2

HANDLES

- Levers**
 LB30 = Small Reed Lever
 LB50 = Small Beaver Tail Lever
 LB60 = Small Olympus Lever
 LB61 = Small Rail Lever
 LB70 = Small Coupler Lever

- Knobs**
 KB40 = Small Squash Knob
 KB50 = Small Potato Knob
 KB60 = Small Luna Knob

ESCUTCHEONS

- Arched**
 EB70 = 2 1/2" x 3 3/4" Arched
 EB75 = 2 1/2" x 6 1/2" Arched
 EB76 = 2 1/2" x 6 1/2" Arched (TP)
 EB77 = 2 1/2" x 6 1/2" Arched (ER)

- Curved**
 EB80 = 2 1/2" x 3 3/4" Curved
 EB85 = 2 1/2" x 6 1/2" Curved
 EB86 = 2 1/2" x 6 1/2" Curved (TP)
 EB87 = 2 1/2" x 6 1/2" Curved (ER)

- Metro**
 EB20 = 2 1/2" x 3 3/4" Metro
 EB25 = 2 1/2" x 6 1/2" Metro
 EB26 = 2 1/2" x 6 1/2" Metro (TP)
 EB27 = 2 1/2" x 6 1/2" Metro (ER)

- Rectangular**
 EB50 = 2 1/2" x 3 3/4" Rect
 EB55 = 2 1/2" x 6 1/2" Rect
 EB56 = 2 1/2" x 6 1/2" Rect (TP)
 EB57 = 2 1/2" x 6 1/2" Rect (ER)

- Stepped**
 EB40 = 2 1/2" x 3 3/4" Stepped
 EB45 = 2 1/2" x 6 1/2" Stepped
 EB46 = 2 1/2" x 6 1/2" Stepped (TP)
 EB47 = 2 1/2" x 6 1/2" Stepped (ER)

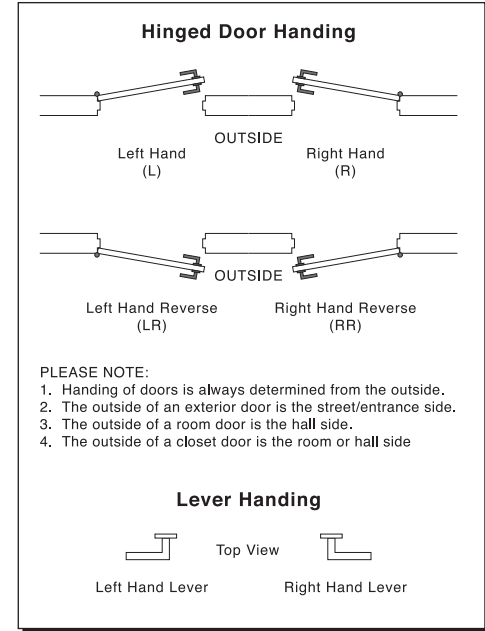
- Key**
 (ER) = Emergency Release Escutcheon
 (TP) = Turn Piece Escutcheon

DESCRIPTION

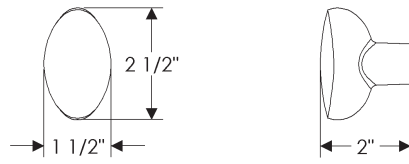
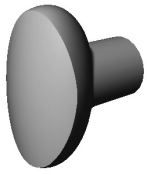
- 1/2" Barrel Extruded Hinges**
 HNG3.5B = Plain Bearing Hinge, 3 1/2" x 3 1/2"
 HNG4B = Plain Bearing Hinge, 4" x 4"
 HNG4.5B = Plain Bearing Hinge, 4 1/2" x 4 1/2"

- Finial Caps**
 XT50 = Finial Cap, 1/2" Standard
 BT50 = Finial Cap, 1/2" Ball
 AT50 = Finial Cap, 1/2" Acorn

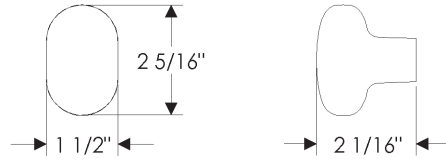
HANDING



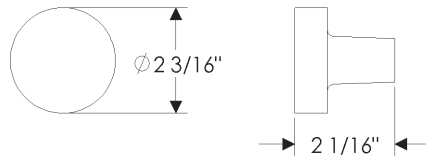
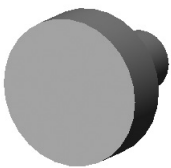
Knobs and Levers available for Builder Series combinations



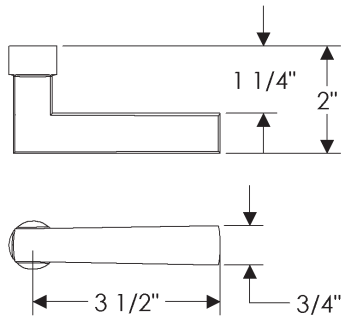
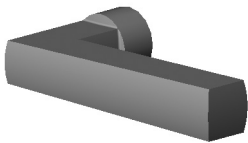
KB40 Small Squash Knob



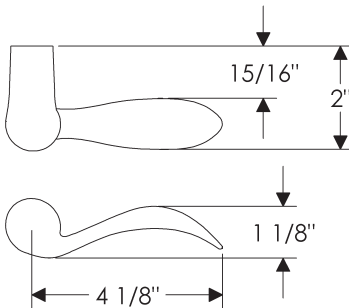
KB50 Small Potato Knob



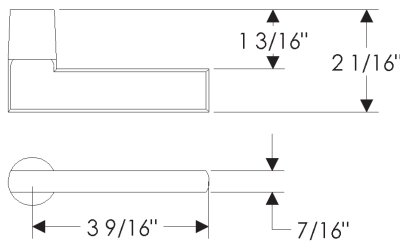
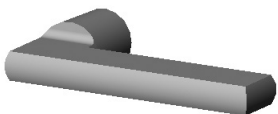
KB60 Small Luna Knob



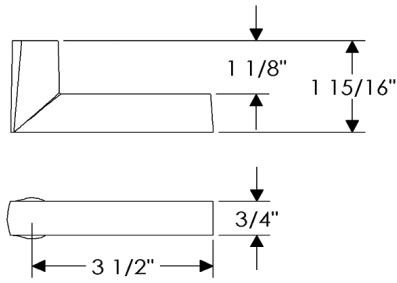
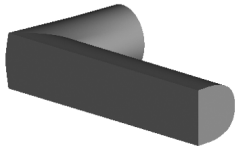
LB30 Small Reed Lever



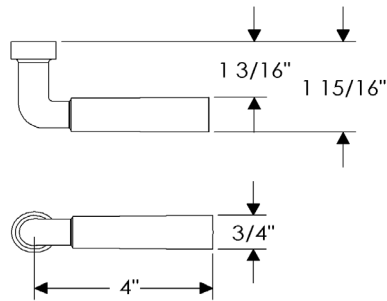
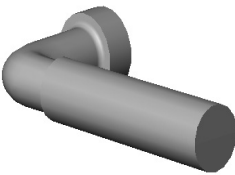
LB50 Small Beaver Tail Lever



LB60 Small Olympus Lever

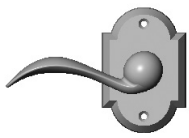
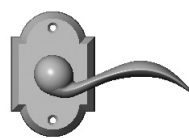
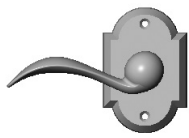
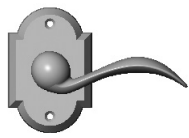
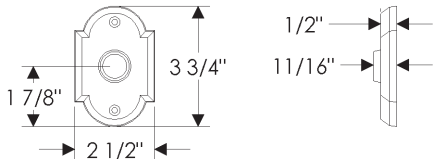


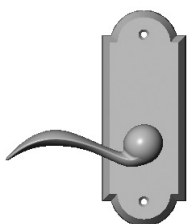
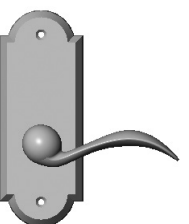
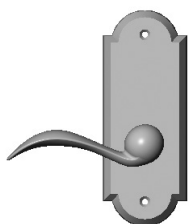
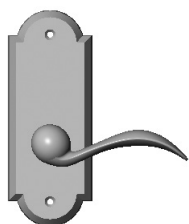
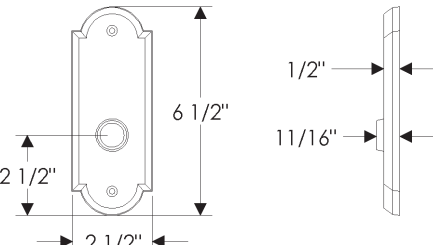
LB61 Small Rail Lever

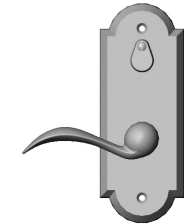
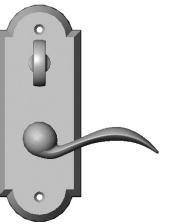


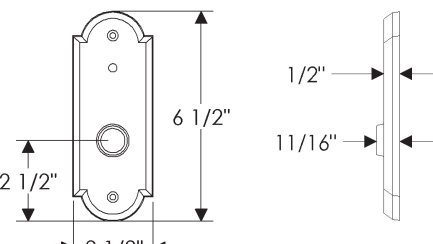


LB70 Small Coupler Lever

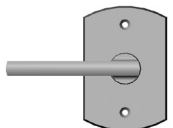
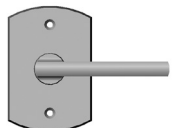
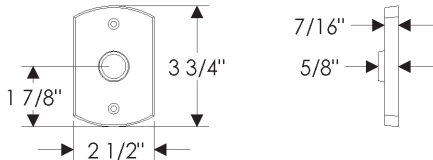
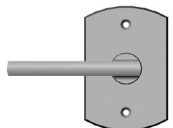
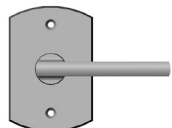
- Price includes your choice of any Builder Series knob or lever (KB40, KB50, KB60, LB30, LB50, LB60, LB61 or LB70).
- Combinations are shown with LB50 Small Beaver Tail Lever for illustration purposes only. Refer to page K1 for desired handle.
- Specify metal, patina, handing, backset, door thickness, and lock type.

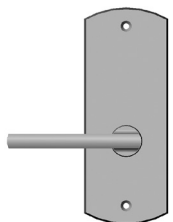
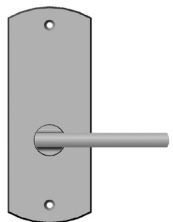
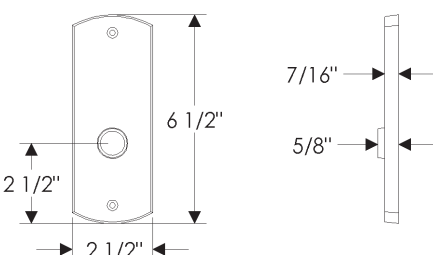
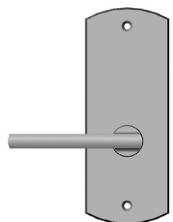
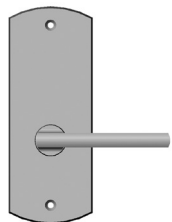
EXTERIOR	INTERIOR		EXTERIOR	INTERIOR
		ARCHED ESCUTCHEONS 2 1/2" x 3 3/4" Escutcheons		
EB70	EB70		EB70	EB70
Passage Spring Latch	\$ 347		Single Dummy	\$ 129
Privacy Spring Latch	\$ 358		Full Dummy	\$ 258

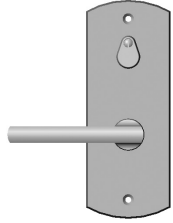
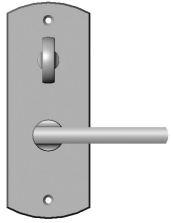
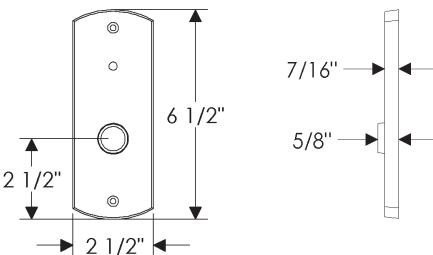
		ARCHED ESCUTCHEONS 2 1/2" x 6 1/2" Escutcheons		
EB75	EB75		EB75	EB75
Passage Spring Latch	\$ 379		Single Dummy	\$ 145
Passage Mortise Lock	\$ 597		Full Dummy	\$ 290
Privacy Spring Latch	\$ 390			

		ARCHED ESCUTCHEONS 2 1/2" x 6 1/2" Escutcheons		
EB77	EB76		EB76	EB76
Privacy Mortise Lock	\$ 742			

- Price includes your choice of any Builder Series knob or lever (KB40, KB50, KB60, LB30, LB50, LB60, LB61 or LB70).
- Combinations are shown with LB60 Small Olympus Lever for illustration purposes only. Refer to page K1 for desired handle.
- Specify metal, patina, handing, backset, door thickness, and lock type.

EXTERIOR	INTERIOR		EXTERIOR	INTERIOR
		<p>CURVED ESCUTCHEONS 2 1/2" x 3 3/4" Escutcheons</p> 		
EB80	EB80		EB80	EB80
Passage Spring Latch	\$ 347		Single Dummy	\$ 129
Privacy Spring Latch	\$ 358		Full Dummy	\$ 258

		<p>CURVED ESCUTCHEONS 2 1/2" x 6 1/2" Escutcheons</p> 		
EB85	EB85		EB85	EB85
Passage Spring Latch	\$ 379		Single Dummy	\$ 145
Passage Mortise Lock	\$ 597		Full Dummy	\$ 290
Privacy Spring Latch	\$ 390			

				
EB87	EB86			
Privacy Mortise Lock	\$ 742			

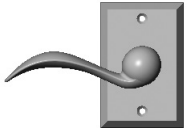
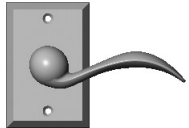
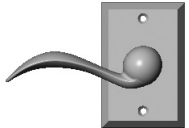
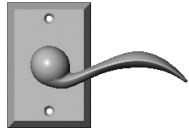
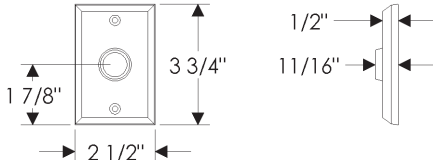
- Price includes your choice of any Builder Series knob or lever (KB40, KB50, KB60, LB30, LB50, LB60, LB61 or LB70).
- Combinations are shown with LB60 Small Olympus Lever for illustration purposes only. Refer to page K1 for desired handle.
- Specify metal, patina, handing, backset, door thickness, and lock type.

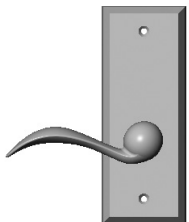
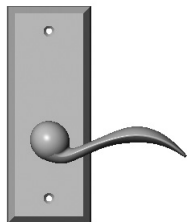
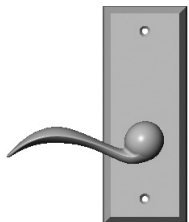
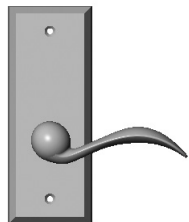
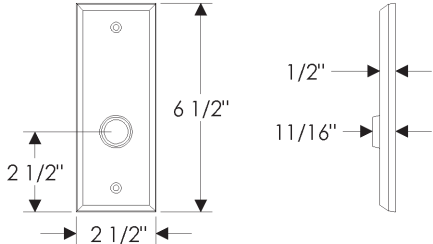
EXTERIOR	INTERIOR		EXTERIOR	INTERIOR
		METRO ESCUTCHEONS 2 1/2" x 3 3/4" Escutcheons		
EB20	EB20		EB20	EB20
Passage Spring Latch	\$ 347		Single Dummy	\$ 129
Privacy Spring Latch.....	\$ 358		Full Dummy	\$ 258

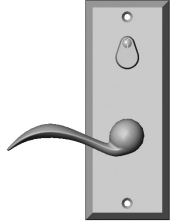
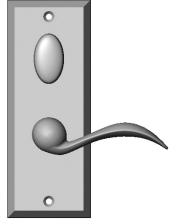
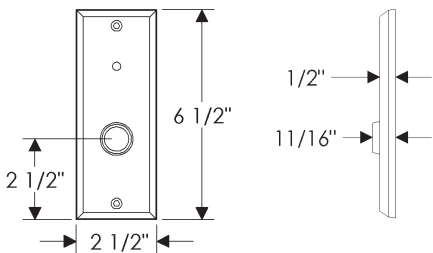


		METRO ESCUTCHEONS 2 1/2" x 6 1/2" Escutcheons		
EB25	EB25		EB25	EB25
Passage Spring Latch	\$ 379		Single Dummy	\$ 145
Passage Mortise Lock.....	\$ 597		Full Dummy	\$ 290
Privacy Spring Latch.....	\$ 390			

		METRO ESCUTCHEONS 2 1/2" x 6 1/2" Escutcheons		
EB27	EB26		EB27	EB26
Privacy Mortise Lock	\$ 742			

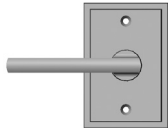
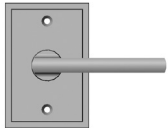
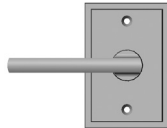
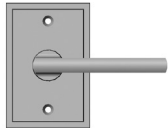
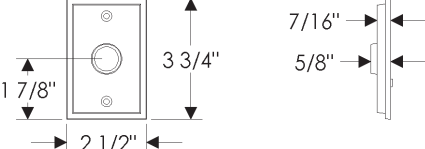
- Price includes your choice of any Builder Series knob or lever (KB40, KB50, KB60, LB30, LB50, LB60, LB61 or LB70).
- Combinations are shown with LB50 Small Beaver Tail Lever for illustration purposes only. Refer to page K1 for desired handle.
- Specify metal, patina, handing, backset, door thickness, and lock type.


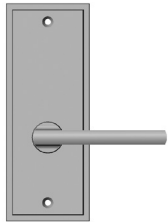

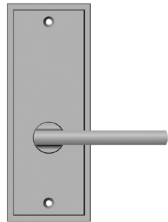
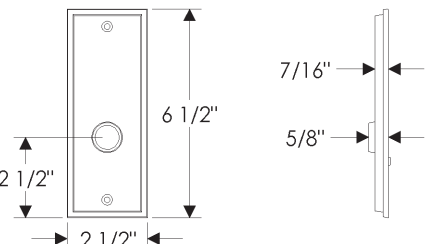
EXTERIOR	INTERIOR		EXTERIOR	INTERIOR
		RECTANGULAR ESCUTCHEONS 2 1/2" x 3 3/4" Escutcheons		
EB50	EB50		EB50	EB50
Passage Spring Latch	\$ 347		Single Dummy	\$ 129
Privacy Spring Latch.....	\$ 358		Full Dummy	\$ 258



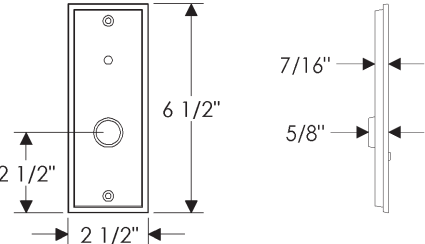


		RECTANGULAR ESCUTCHEONS 2 1/2" x 6 1/2" Escutcheons		
EB55	EB55		EB55	EB55
Passage Spring Latch	\$ 379		Single Dummy	\$ 145
Passage Mortise Lock.....	\$ 597		Full Dummy	\$ 290
Privacy Spring Latch.....	\$ 390			

				
EB57	EB56		EB56	EB56
Privacy Mortise Lock	\$ 742			

- Price includes your choice of any Builder Series knob or lever (KB40, KB50, KB60, LB30, LB50, LB60, LB61 or LB70).
- Combinations are shown with LB60 Small Olympus Lever for illustration purposes only. Refer to page K1 for desired handle.
- Specify metal, patina, handing, backset, door thickness, and lock type.

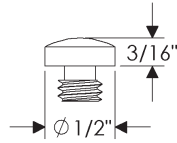
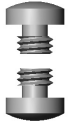
EXTERIOR	INTERIOR		EXTERIOR	INTERIOR
		STEPPED ESCUTCHEONS 2 1/2" x 3 3/4" Escutcheons		
EB40	EB40		EB40	EB40
Passage Spring Latch	\$ 347		Single Dummy	\$ 129
Privacy Spring Latch.....	\$ 358		Full Dummy	\$ 258

		STEPPED ESCUTCHEONS 2 1/2" x 6 1/2" Escutcheons		
EB45	EB45		EB45	EB45
Passage Spring Latch	\$ 379		Single Dummy	\$ 145
Passage Mortise Lock.....	\$ 597		Full Dummy.....	\$ 290
Privacy Spring Latch.....	\$ 390			

				
EB47	EB46			
Privacy Mortise Lock	\$ 742			

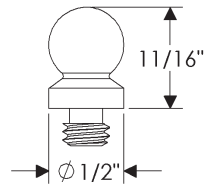
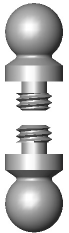
- Specify metal and patina.
- Two caps are included with hinge. Priced individually for replacement.
- Finial Caps shown on this page are compatible with Plain Bearing Extruded 1/2" Barrell Hinges.

Finial Caps—1/2" Barrel



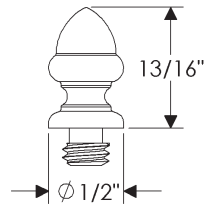
XT50 Standard Finial Cap

/ Each \$ 51
 / Pair \$ 102



BT50 Ball Finial Cap

/ Each \$ 51
 / Pair \$ 102

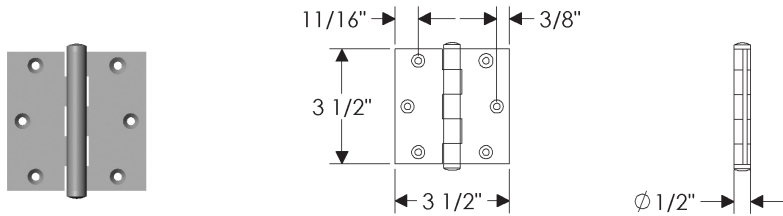


AT50 Acorn Finial Cap

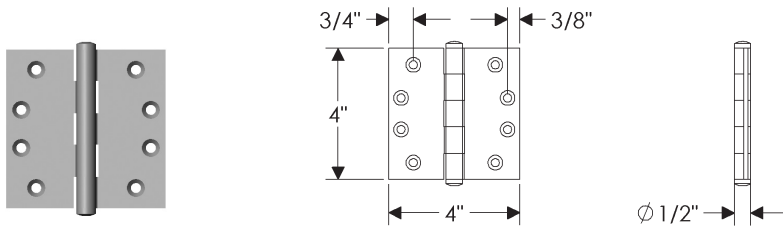
/ Each \$ 51
 / Pair \$ 102

- Specify metal and patina.
- Price includes your choice of 1/2" Finial Caps.
- Hinge leaf thickness is .125. Unless otherwise specified.
- Each hinge is supplied with two 3" long and eight 1 1/4" long slotted screws. Flat-head Phillips screws available upon request.

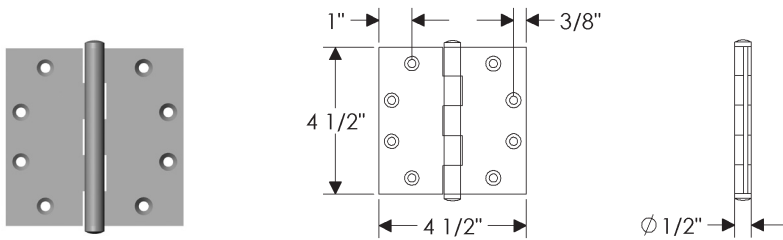
Plain Bearing Extruded Hinges—1/2" Barrel



HNG3.5B Plain Bearing Extruded Hinge
3 1/2" x 3 1/2" / Each \$ 131



HNG4B Plain Bearing Extruded Hinge
4" x 4" / Each \$ 143



HNG4.5B Plain Bearing Extruded Hinge
4 1/2" x 4 1/2" / Each \$ 158

