

Sample Order / Cheat Sheet

J Screen Door Hardware 1/2

QUOTE ORDER

NAME: _____

PO# _____

ADDRESS: _____

DELIVERY: _____

ADDRESS: _____



ORDER DATE: _____

OFFICE PHONE: _____

CONTACT: _____

FAX PHONE: _____

JOB NAME: _____

JOB PHONE: _____

HARDWARE WORK ORDER

Toll Free 888.788.2013 or 208.788.2013; Fax 208.788.2577

2002.12.04

LINE NO.	FUNCTION	HANDLE		ESCUTCHEON		METAL	PATINA	HANDING OR LENGTH	BACKSET	DOOR THICKNESS	LOCK TYPE	DEAD BOLT TRIM	DESCRIPTION	LOCATION #	QTY.	PRICE QUOTED
		EXTERIOR	INTERIOR	EXTERIOR	INTERIOR											
1	SC-PA	LB50	LB50	E405	E405	B	D	R	134	138	ML		2 3/4" Max	2,6	2	\$ 944
2	SC-PR	LB60	LB60	E317	E316	W	L	RR	112	134	ML			1	1	\$ 1063
3	SC-DU	KB50	KB50	E710	E710	B	M	L						3	1	\$ 565
4	SC-PO	KB60	KB60	E515	E516	W	D	LR	2	112	ML			4,5	2	\$ 1051
5	SC-DU		LB50		E405	W	M	LR						7	1	\$ 283
6																

FUNCTION
 SC-DU = Dummy
 SC-PA = Passage
 SC-PO = Patio
 SC-PR = Privacy

HANDLE
 For a list of Levers and Knobs available for Screen Door Sets, see next page.

For specifications, refer to Section A.

ESCUTCHEONS
 For a list of Escutcheons available for Screen Door Sets, see next page.

For configurations, specifications, and pricing, refer to content of this section.

METAL
 B = Silicon Bronze
 W = White Bronze

PATINA
 L = Light
 M = Medium
 D = Dark
 R = Rust
 BB = Brushed
 DL = Dark Lustre
 HP = High Polished *
 *Up-charge applies.

HANDING / LENGTH
 L = Left Hand
 R = Right Hand
 LR = Left Hand Reverse
 RR = Right Hand Reverse

BACKSET
 112 = 11/2"
 134 = 13/4"
 2 = 2"

DOOR THICKNESS
 118 = 11/8"
 138 = 13/8"
 112 = 11/2"
 134 = 13/4"
 178 = 17/8"
 2 = 2"
 214 = 21/4"
 Up-charge for sizes below.
 Call for pricing.
 212 = 21/2"
 258 = 25/8"
 234 = 23/4"
 3 = 3"
 314 = 31/4"
 312 = 31/2"
 4 = 4"
 N = No

LOCK TYPE
 ML = Mortise Lock

DEAD BOLT TRIM
 Not Applicable

DESCRIPTION
 Maximum Projection

LOCATION #
 Room Number or Door Number, etc.

QTY
 Number of each desired

PRICE
 \$ List price each

Sample Order / Cheat Sheet**J Screen Door Hardware 2/2****HANDLE****Levers**

LB30 = Small Reed Lever
 LB50 = Small Beaver Tail Lever
 LB60 = Small Olympus Lever
 LW05 = Mini Ellis Lever
 LW10 = Mini Euro Lever
 LW15 = Mini Legacy Lever
 LW20 = Mini French Lever
 LW37 = Mini Strap Lever
 LW40 = Mini Classic Lever
 LW50 = Mini Acanthus Lever
 LW60 = Mini Harrington Lever
 LW65 = Mini Falcon Lever
 LW80 = Mini Monarch Lever
 LW85 = Mini Ribbon & Reed Lever

ESCUTCHEONS**Arched**

E710 = 2" x 6" Arched
 E712 = 2" x 6" Arched (ER)
 E711 = 2" x 6" Arched (TP)

Curved

E515 = 2" x 6" Curved
 E517 = 2" x 6" Curved (ER)
 E516 = 2" x 6" Curved (TP)

Ellis

E015 = 2" x 6" Ellis
 E017 = 2" x 6" Ellis (ER)
 E016 = 2" x 6" Ellis (TP)

Metro

E215 = 2" x 6" Metro
 E217 = 2" x 6" Metro (ER)
 E216 = 2" x 6" Metro (TP)

Rectangular

E405 = 2" x 6" Rectangular
 E407 = 2" x 6" Rectangular (ER)
 E406 = 2" x 6" Rectangular (TP)

Stepped

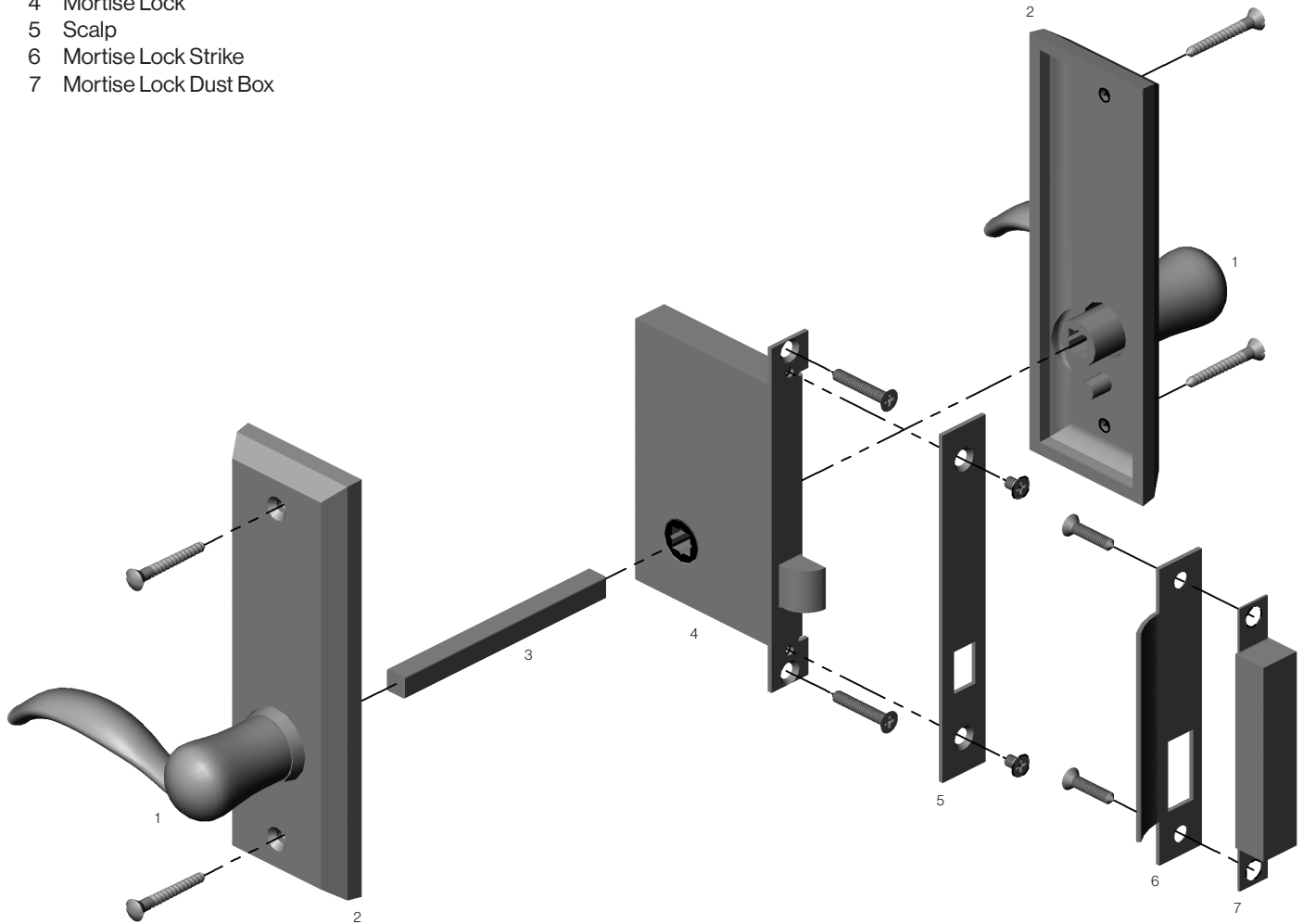
E315 = 2" x 6" Stepped
 E317 = 2" x 6" Stepped (ER)
 E316 = 2" x 6" Stepped (TP)

Key

(ER) = Emergency Release
 Escutcheon
 (TP) = Turn Piece Escutcheon

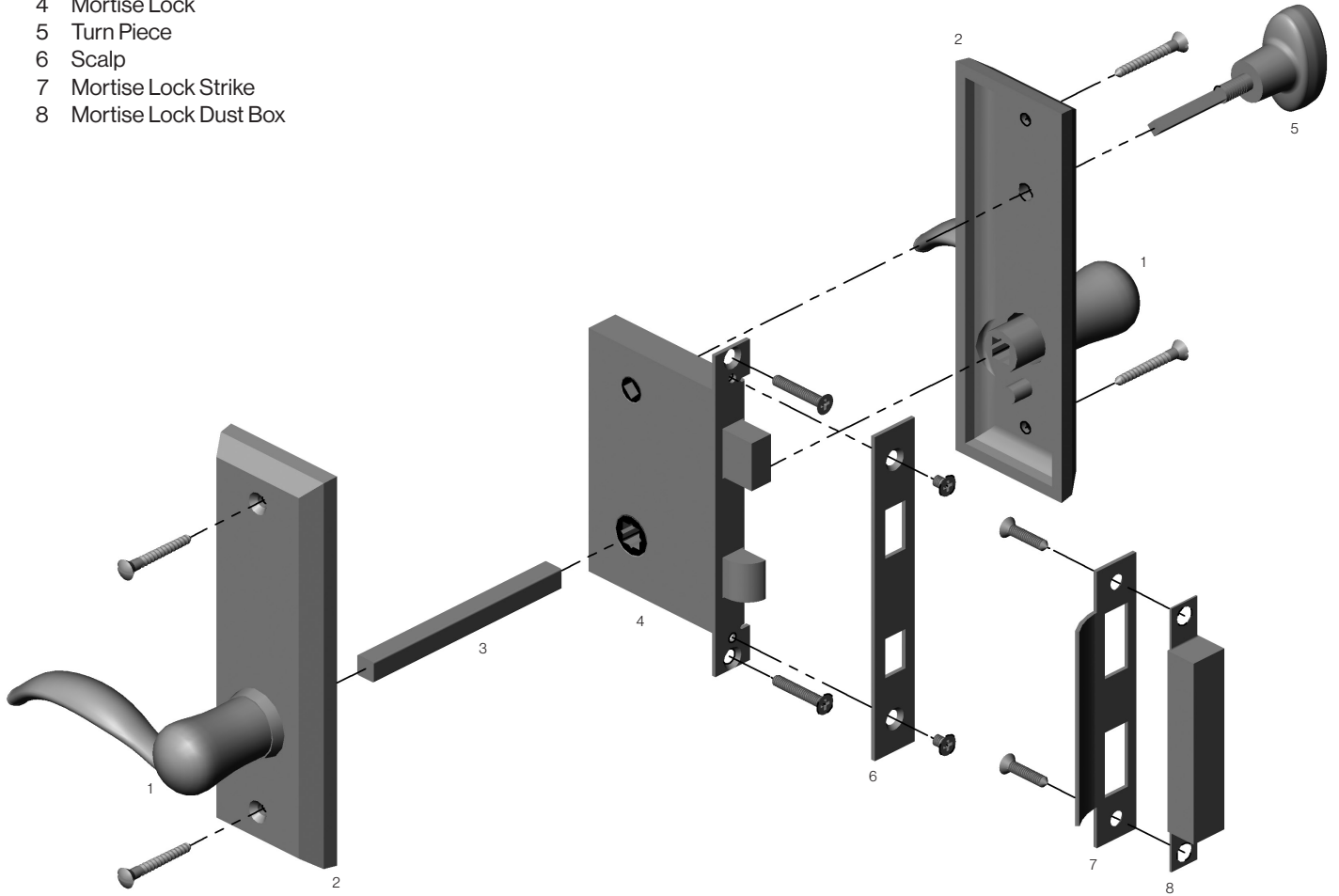
Passage Mortise Lock Set—Lever to Lever

- 1 Lever
- 2 Escutcheon
- 3 Straight Spindle
- 4 Mortise Lock
- 5 Scalp
- 6 Mortise Lock Strike
- 7 Mortise Lock Dust Box



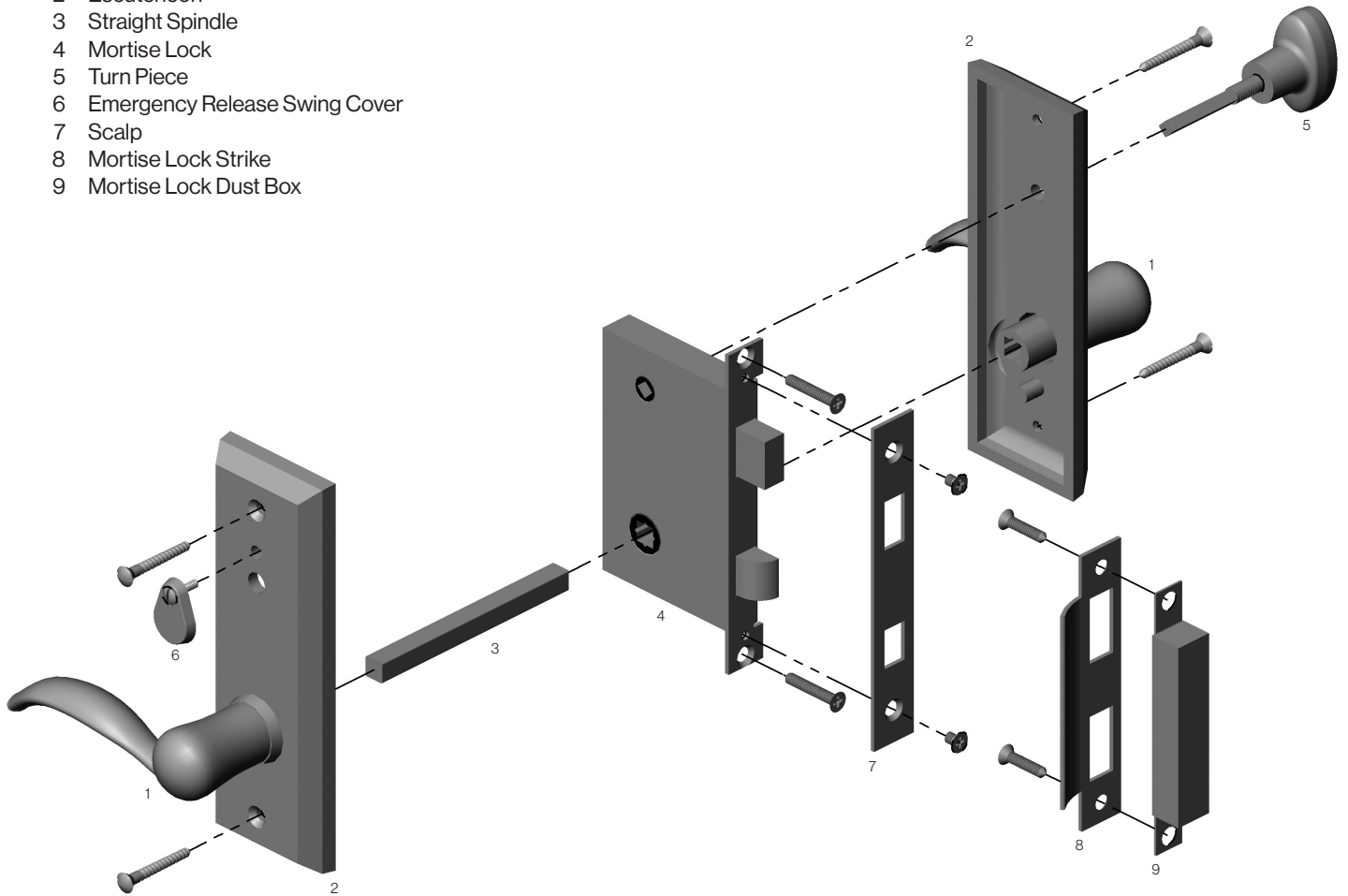
Patio Mortise Lock Set—Lever to Lever

- 1 Lever
- 2 Escutcheon
- 3 Straight Spindle
- 4 Mortise Lock
- 5 Turn Piece
- 6 Scalp
- 7 Mortise Lock Strike
- 8 Mortise Lock Dust Box



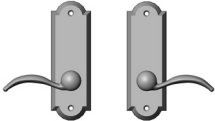
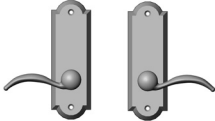
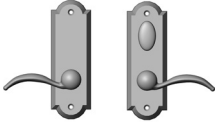
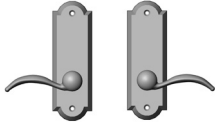
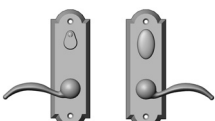
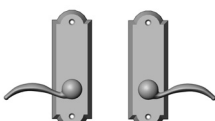
Privacy Mortise Lock Set—Lever to Lever

- 1 Lever
- 2 Escutcheon
- 3 Straight Spindle
- 4 Mortise Lock
- 5 Turn Piece
- 6 Emergency Release Swing Cover
- 7 Scalp
- 8 Mortise Lock Strike
- 9 Mortise Lock Dust Box

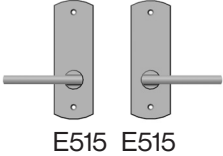
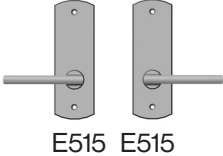
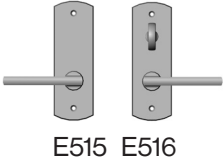
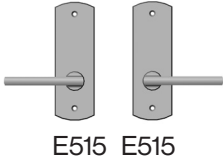
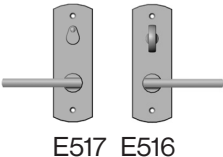
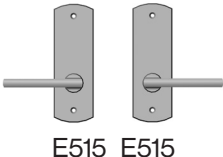


Note: Cut Shank on Turn Piece so that it goes halfway through the Mortise Lock. This will allow a space for the emergency release key to operate the Dead Bolt.

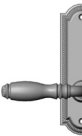
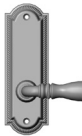
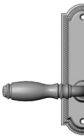
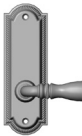
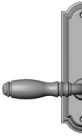

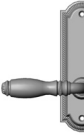
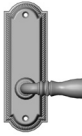
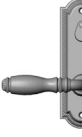

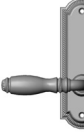

- Price includes your choice of lever. Knobs not recommended.
- Combinations are shown with LW40 Mini Classic Lever for illustration purposes only. Refer to Page Jii for available levers.
- Refer to website for door preparatory specifications. Call RMH to verify compatibility of each escutcheon with pre-existing door conditions.
- When applicable, specify maximum projection requirements.
- Specify metal, patina, handing, backset, door thickness, and lock type.
- Requires a minimum of 1 1/8" door thickness.
- Available in 1 1/2", 1 3/4", or 2" backset.
- Refer to Section B for Escutcheon Specifications.

	ACTIVE	DUMMY	ESCUTCHEON OPTIONS
A	 E710 E710	 E710 E710	A 2" x 6" Arched Escutcheon E710 / E710 Passage Mortise Lock \$ 944 E710 Single Dummy \$ 283 E710 / E710 Full Dummy \$ 566
B	 E710 E711	 E710 E710	B 2" x 6" Arched Escutcheon E710 / E711 Patio Mortise Lock \$1,051 E710 Single Dummy \$ 283 E710 / E710 Full Dummy \$ 566
C	 E712 E711	 E710 E710	C 2" x 6" Arched Escutcheon E712 / E711 Privacy Mortise Lock \$1,063 E710 Single Dummy \$ 283 E710 / E710 Full Dummy \$ 566

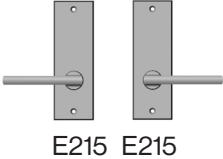
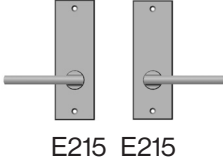
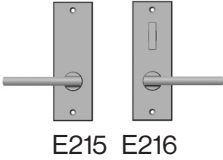
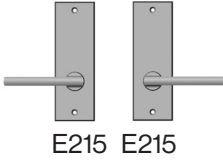
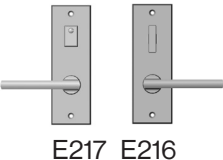
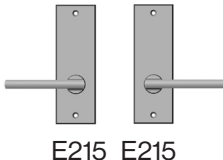
- Price includes your choice of lever. Knobs not recommended.
- Combinations are shown with LB60 Mini Olympus Lever for illustration purposes only. Refer to Page Jii for available levers.
- Refer to website for door preparatory specifications. Call RMH to verify compatibility of each escutcheon with pre-existing door conditions.
- When applicable, specify maximum projection requirements.
- Specify metal, patina, handing, backset, door thickness, and lock type.
- Requires a minimum of 1 1/8" door thickness.
- Available in 1 1/2", 1 3/4", or 2" backset.
- Refer to Section B for Escutcheon Specifications.

	ACTIVE	DUMMY	ESCUTCHEON OPTIONS
A	 <p>E515 E515</p>	 <p>E515 E515</p>	A 2" x 6" Curved Escutcheon E515 / E515 Passage Mortise Lock \$ 944 E515 Single Dummy \$ 283 E515 / E515 Full Dummy \$ 566
B	 <p>E515 E516</p>	 <p>E515 E515</p>	B 2" x 6" Curved Escutcheon E515 / E516 Patio Mortise Lock \$ 1,051 E515 Single Dummy \$ 283 E515 / E515 Full Dummy \$ 566
C	 <p>E517 E516</p>	 <p>E515 E515</p>	C 2" x 6" Curved Escutcheon E517 / E516 Privacy Mortise Lock \$ 1,063 E515 Single Dummy \$ 283 E515 / E515 Full Dummy \$ 566

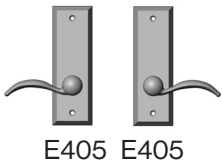
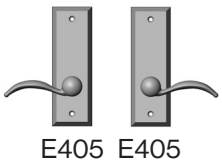
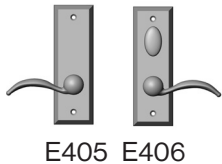
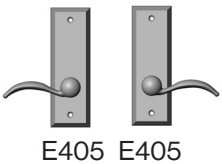
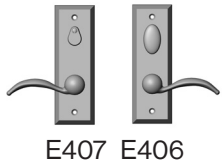
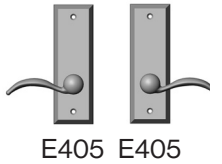
- Price includes your choice of lever. Knobs not recommended.
- Combinations are shown with LW05 Mini Ellis Lever for illustration purposes only. Refer to Page Jii for available levers.
- Refer to website for door preparatory specifications. Call RMH to verify compatibility of each escutcheon with pre-existing door conditions.
- When applicable, specify maximum projection requirements.
- Specify metal, patina, handing, backset, door thickness, and lock type.
- Requires a minimum of 1 1/8" door thickness.
- Available in 1 1/2", 1 3/4", or 2" backset.
- Refer to Section B for Escutcheon Specifications.

	ACTIVE	DUMMY	ESCUTCHEON OPTIONS
A	  E015 E015	  E015 E015	A 2" x 6" Ellis Escutcheon E015 / E015 Passage Mortise Lock..... \$ 1,143 E015 Single Dummy..... \$ 381 E015 / E015 Full Dummy..... \$ 762
B	  E015 E016	  E015 E015	B 2" x 6" Ellis Escutcheon E015 / E016 Patio Mortise Lock \$ 1,251 E015 Single Dummy..... \$ 381 E015 / E015 Full Dummy..... \$ 762
C	  E017 E016	  E015 E015	C 2" x 6" Ellis Escutcheon E017 / E016 Privacy Mortise Lock..... \$ 1,263 E015 Single Dummy..... \$ 381 E015 / E015 Full Dummy..... \$ 762

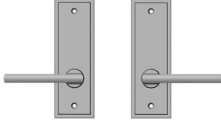
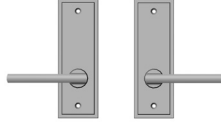

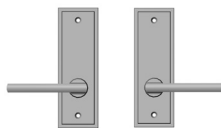

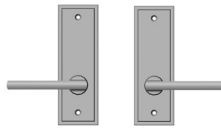
- Price includes your choice of lever. Knobs not recommended.
- Combinations are shown with LB60 Mini Olympus Lever for illustration purposes only. Refer to Page Jii for available levers.
- Refer to website for door preparatory specifications. Call RMH to verify compatibility of each escutcheon with pre-existing door conditions.
- When applicable, specify maximum projection requirements.
- Specify metal, patina, handing, backset, door thickness, and lock type.
- Requires a minimum of 1 1/8" door thickness.
- Available in 1 1/2", 1 3/4", or 2" backset.
- Refer to Section B for Escutcheon Specifications.

	ACTIVE	DUMMY	ESCUTCHEON OPTIONS
A	 <p>E215 E215</p>	 <p>E215 E215</p>	A 2" x 6" Metro Escutcheon E215 / E215 Passage Mortise Lock \$ 944 E215 Single Dummy \$ 283 E215 / E215 Full Dummy \$ 566
B	 <p>E215 E216</p>	 <p>E215 E215</p>	B 2" x 6" Metro Escutcheon E215 / E216 Patio Mortise Lock \$ 1,051 E215 Single Dummy \$ 283 E215 / E215 Full Dummy \$ 566
C	 <p>E217 E216</p>	 <p>E215 E215</p>	C 2" x 6" Metro Escutcheon E217 / E216 Privacy Mortise Lock \$ 1,063 E215 Single Dummy \$ 283 E215 / E215 Full Dummy \$ 566

- Price includes your choice of lever. Knobs not recommended.
- Combinations are shown with LW40 Mini Classic Lever for illustration purposes only. Refer to Page Jii for available levers.
- Refer to website for door preparatory specifications. Call RMH to verify compatibility of each escutcheon with pre-existing door conditions.
- When applicable, specify maximum projection requirements.
- Specify metal, patina, handing, backset, door thickness, and lock type.
- Requires a minimum of 1 1/8" door thickness.
- Available in 1 1/2", 1 3/4", or 2" backset.
- Refer to Section B for Escutcheon Specifications.

	ACTIVE	DUMMY	ESCUTCHEON OPTIONS
A	 <p>E405 E405</p>	 <p>E405 E405</p>	<p>A 2" x 6" Rectangular Escutcheon</p> <p>E405 / E405 Passage Mortise Lock \$944</p> <p>E405 Single Dummy \$283</p> <p>E405 / E405 Full Dummy \$566</p>
B	 <p>E405 E406</p>	 <p>E405 E405</p>	<p>B 2" x 6" Rectangular Escutcheon</p> <p>E405 / E406 Patio Mortise Lock \$1,051</p> <p>E405 Single Dummy \$283</p> <p>E405 / E405 Full Dummy \$566</p>
C	 <p>E407 E406</p>	 <p>E405 E405</p>	<p>C 2" x 6" Rectangular Escutcheon</p> <p>E407 / E406 Privacy Mortise Lock \$1,063</p> <p>E405 Single Dummy \$283</p> <p>E405 / E405 Full Dummy \$566</p>

- Price includes your choice of lever. Knobs not recommended.
- Combinations are shown with LB60 Mini Olympus Lever for illustration purposes only. Refer to Page Jii for available levers.
- Refer to website for door preparatory specifications. Call RMH to verify compatibility of each escutcheon with pre-existing door conditions.
- When applicable, specify maximum projection requirements.
- Specify metal, patina, handing, backset, door thickness, and lock type.
- Requires a minimum of 1 1/8" door thickness.
- Available in 1 1/2", 1 3/4", or 2" backset.
- Refer to Section B for Escutcheon Specifications.

	ACTIVE	DUMMY	ESCUTCHEON OPTIONS
A	 E315 E315	 E315 E315	A 2" x 6" Stepped Escutcheon E315 / E315 Passage Mortise Lock \$ 944 E315 Single Dummy \$ 283 E315 / E315 Full Dummy \$ 566
B	 E315 E316	 E315 E315	B 2" x 6" Stepped Escutcheon E315 / E316 Patio Mortise Lock \$ 1,051 E315 Single Dummy \$ 283 E315 / E315 Full Dummy \$ 566
C	 E317 E316	 E315 E315	C 2" x 6" Stepped Escutcheon E317 / E316 Privacy Mortise Lock \$ 1,063 E315 Single Dummy \$ 283 E315 / E315 Full Dummy \$ 566