

Sample Order / Cheat Sheet
G Push/Pull Sets 1/3

QUOTE ORDER

NAME: _____
ADDRESS: _____
OFFICE PHONE: _____
FAX PHONE: _____
JOB PHONE: _____

PO# _____
DELIVERY: _____
ADDRESS: _____



HARDWARE WORK ORDER
Toll Free 888.788.2013 or 208.788.2013; Fax 208.788.2577

ORDER DATE: _____
CONTACT: _____
JOB NAME: _____

2002 12 04

LINE NO.	FUNCTION	HANDLE		ESCUTCHEON		METAL	PATINA	HANDING OR LENGTH	BACKSET	DOOR THICKNESS	LOCK TYPE	DEAD BOLT TRIM	DESCRIPTION	LOCATION #	QTY.	PRICE QUOTED
		EXTERIOR	INTERIOR	EXTERIOR	INTERIOR											
1	PP	G609	G609	N	N	B	D		N	134	N		BTB	1	1	\$ 1016
2	PP	G607	G607	G641	G641	B	R		234	134	DD			2	1	\$ 1834
3	PP	G614	G614	G684	G684	W	D		N	134	N			3	1	\$ 1944
4	PP	G603	N	N	N	B	L		N	134	N		TB	4	1	\$ 493
5	PP	N	N	G604	G604	W	M		N	N	N			5	1	\$ 577

FUNCTION
PP = Push/Pull

HANDLE
For a list of Grips available for Push/Pull Door Sets, see next page.
For specifications, refer to Section A.

ESCUTCHEONS
For a list of Escutcheons available for Push/Pull Door Sets, see next page.
For configurations, specifications, and pricing, refer to content of this section.

METAL
B = Silicon Bronze
W = White Bronze

PATINA
L = Light
M = Medium
D = Dark
R = Rust
BB = Brushed
DL = Dark Lustre
HP = High Polished *
*Up-charge applies.

HANDING
Not Applicable

BACKSET
238 = 2 3/8" DB
234 = 2 3/4" DB

Up-charge for sizes below.
Call for pricing.
114 = 1 1/4" ML
112 = 1 1/2" ML
134 = 1 3/4" ML
2 = 2" ML
214 = 2 1/4" ML
212 = 2 1/2" ML
234 = 2 3/4" ML
334 = 3 3/4" ML
5 = 5" ML
6 = 6" ML
N = No

DOOR THICKNESS
138 = 13/8"
112 = 11/2"
134 = 13/4"
178 = 17/8"
2 = 2"
214 = 2 1/4"
Up-charge for sizes below.
Call for pricing.
212 = 2 1/2"
258 = 2 5/8"
234 = 2 3/4"
3 = 3"
314 = 3 1/4"
312 = 3 1/2"
4 = 4"
N = No

LOCK TYPE
DB = Dead Bolt
DD = Double Cylinder Dead Bolt

DEAD BOLT TRIM
Not Applicable

DESCRIPTION
BTB = Back-To-Back
TB = Thru-Bolt
See page Giii for more options

Edge Collection Options
ETW = Weave
EWD = Wood
EBA = Basic
ETD = Tide
EWR = Wire
EMS = Moonscape

LOCATION #
Room Number or Door Number, etc.

QTY
Number of each desired

PRICE
\$ List price each

Sample Order / Cheat Sheet

G Push/Pull Sets

2/3

HANDLE**Grips**

DH6 = 6" D Grip
 G059 = 6" Offset Ellis Grip
 G060 = 7 1/2" Ellis Grip
 G070 = 10" Ellis Grip
 G250 = 7 1/2" Civic Grip
 G254 = 10" Civic Grip
 G256 = 13 1/2" Civic Grip
 G257 = 12" Offset Rail Grip
 G258 = 6" Offset Rail Grip
 G259 = 8 1/16" Offset Curved Rail Grip
 G260 = 6" Offset Curved Rail Grip
 G261 = 7 1/2" Rail Grip
 G262 = 24" Offset Rail Grip
 G284 = 8" Rail Grip
 G283 = 10" Rail Grip
 G263 = 12" Rail Grip
 G264 = 14" Rail Grip
 G265 = 16" Rail Grip
 G266 = 30" Rail Grip
 G267 = 36" Rail Grip
 G268 = 24" Rail Grip
 G269 = 32" Rail Grip
 G270 = 8" Tube Grip
 G271 = 10" Tube Grip
 G272 = 14" Tube Grip
 G273 = 16" Tube Grip
 G279 = 20" Tube Grip
 G274 = 24" Tube Grip
 G275 = 32" Tube Grip
 G276 = 36" Tube Grip
 G277 = 36" Tube Grip
 G278 = 36" Tube Grip
 G280 = 12" Summit Grip
 G281 = 16" Summit Grip
 G282 = 12" Tube Grip
 G285 = 48" Rail Grip
 G286 = 60" Rail Grip
 G287 = 72" Rail Grip
 G288 = 82 13/16" Rail Grip
 G289 = 22" Rail Grip
 G296 = 21" Tube Grip
 G353 = 18 1/4" Stalk Grip
 G355 = 31 1/8" Stalk Grip
 G358 = 56" Stalk Grip
 G359 = 60" Stalk Grip
 G360 = 72" Stalk Grip
 G365 = 7 1/2" Jane Grip
 G366 = 9" Jane Grip
 G369 = 24" Jane Grip
 G370 = 14" Provence Gri
 G371 = 48" Jane Grip
 G372 = 20" Provence Grip
 G374 = 84" Jane Gripp
 G379 = 84" Provence Grip
 G380 = 13" Organic Square Grip
 G381 = 11" Organic Square Grip

Grips (continued)

G384 = 23" Organic Square Grip
 G386 = 35" Organic Square Grip
 G392 = 7 1/2" Ore Grip
 G393 = 10" Ore Grip
 G395 = 18" Ore Grip
 G399 = 45" Ore Grip
 G419 = 17 3/4" Empire Grip
 G422 = 34 3/4" Empire Grip
 G569 = 84" Lash Grip
 G570 = 7 1/2" Maddox Grip
 G580 = 10" Maddox Grip
 G587 = 7 1/2" Offset Maddox Grip
 G588 = 10" Offset Maddox Grip
 G590 = 18" Maddox Grip
 G591 = 20" Maddox Grip
 G592 = 30" Maddox Grip
 G599 = 14" Tuxedo Grip
 G600 = 12" Branch Grip
 G603 = 7 1/2" Gooseneck Grip
 G605 = 8" Twisted D Grip
 G606 = 7 1/2" Sun Valley Grip
 G607 = 10" Sun Valley Grip
 G608 = 10" Branch Grip
 G609 = 8" D Grip
 G610 = 11" Branch Grip
 G611 = 8" Sash Grip
 G612 = 12" Sash Grip
 G614 = 12" Gooseneck Grip
 G615 = 6" Sash Grip
 G617 = 12" Sash Grip
 G618 = 6 1/2" Cobra Grip*
 G619 = 10" D Grip
 G620 = 12" Twisted D Grip
 G621 = 4 15/16" Steeple Twist
 G622 = 10" Ribbon&Reed Grip
 G623 = 12" Steeple Twist Grip
 G624 = 12" Sun Valley Grip
 G625 = 10 1/4" Ring Grip
 G626 = 7" Ribbon&Reed Grip
 G627 = 22" Lash Grip
 G628 = 12" D Grip
 G629 = 18" D Grip
 G630 = 31 3/4" Branch Grip
 G631 = 12" Helix Grip
 G632 = 24" Sash Grip
 G633 = 19 1/2" Ring Grip
 G634 = 31" Sash Grip
 G635 = 14" Lariat Grip
 G636 = 30" D Grip
 G637 = 7 1/2" Lariat Grip
 G638 = 7" Lariat Grip
 G639 = 18" Sash Grip
 G640 = 16" Lariat Grip
 G643 = 22" Lariat Grip
 G645 = 6" Offset Olympus Grip
 G646 = 14" Gooseneck Grip
 G647 = 34" Lariat Grip
 G650 = 7 1/2" Olympus Grip

Grips (continued)

G651 = 10" Olympus Grip
 G652 = 14" Olympus Grip
 G653 = 22 7/8" Olympus Grip
 G654 = 42" Lash Grip
 G655 = 24" Ribbon&Reed Grip
 G656 = 18 7/8" Steeple Twist Grip
 G657 = 24" Olympus Grip
 G658 = 18" Ribbon & Reed Grip
 G659 = 15" Olympus Grip
 G660 = 7 3/8" Acorn Grip
 G661 = 22 7/8" Offset Olympus Grip
 G662 = 9" Medallion Pull
 G663 = 60" Olympus Grip
 G665 = 7" Medallion Pull
 G666 = 6" Medallion Pull
 G667 = 6" Friedman Pull
 G668 = 24" Sash Twist Grip
 G669 = 16" Sash Twist Grip
 G670 = 35 13/16" Lariat Grip
 G671 = 42" Olympus Grip
 G672 = 36" Acorn Grip
 G673 = 12" Braided Grip
 G674 = 18" Branch Grip
 G675 = 6" Luna Pull
 G676 = 16" Twisted D Grip
 G677 = 33" Twisted D Grip
 G678 = 22" Twisted D Grip
 G679 = 5" Square Pull
 G680 = 16" Sash Grip
 G683 = 8" Helix Grip
 G686 = 15 3/4" Bamboo Grip
 G685 = 18" Bamboo Grip
 G687 = 12" Bamboo Grip
 G689 = 18" Olympus Grip
 G691 = 84" Olympus Grip
 G692 = 50" Branch Grip
 G694 = 22" Coupler Grip
 G696 = 16" Lash Grip
 G697 = 13 5/8" Helix Grip
 G698 = 58 15/16" Branch Grip
 G699 = 10" Coupler Grip
 G700 = 34" Coupler Grip
 G705 = 34" Lash Grip
 G706 = 5" Compass Grip
 G711 = 36" Olympus Grip
 G712 = 48" Olympus Grip
 G713 = 12" Olympus Grip
 G714 = 12" Compass Grip
 G715 = 14" Compass Grip
 G718 = 18" Compass Grip
 G750 = 7 1/2" Steeple Twist Grip
 G830 = 4 1/2" Low-Projection Sliding Door Grip
 G10012 = 12" Flute Grip
 G10019 = 18 7/8" Flute Grip
 G10023 = 22 7/8" Flute Grip
 G10032 = 32 1/4" Flute Grip
 G10042 = 12" Zeppelin Grip
 G10044 = 18" Zeppelin Grip

Grips (continued)

G10046 = 28" Zeppelin Grip
 G10052 = 10" Boiler Grip
 G10062 = 12" Barre Grip
 G10064 = 18" Barre Grip
 G10065 = 24" Barre Grip
 G10068 = 46" Barre Grip
 G10075 = 7 1/2" Flute Grip
 G10080 = 7 1/2" Edge Bar Grip
 G10081 = 10" Edge Bar Grip
 G10082 = 12" Edge Bar Grip
 G10083 = 14" Edge Bar Grip
 G10084 = 18" Edge Bar Grip
 G10085 = 24" Edge Bar Grip
 G10092 = 10" Grooved Grip
 G10112 = 12" Sickle Grip
 G10113 = 15 1/2" Sickle Grip
 G10118 = 12" Orbit Grip
 G10122 = 12" Offset Stream Grip
 G10133 = 14 11/16" Stream Grip
 G10128 = 13 1/2" Offset Swan Grip
 G10143 = 14 5/16" Swan Grip
 G10145 = 20 1/2" Swan Grip
 G10154 = 20" Subway Grip
 G10163 = 17" Crescent Grip
 G10165 = 21" Crescent Grip
 G10171 = 10" Helios Grip
 G10172 = 12" Helios Grip
 G10174 = 21 3/4" Helios Grip
 G10182 = 11 3/4" Arc Grip
 G10184 = 19 3/8" Arc Grip
 G10194 = 19 3/8" Offset Arc Grip
 G10200 = 7" Marrakesh Grip
 G10203 = 12" Marrakesh Grip
 G10209 = 70" Marrakesh Grip
 G10210 = 8 1/2" Cleft Grip
 G10213 = 14" Cleft Grip
 G10221 = 9 1/2" Staple Grip
 G10225 = 20 1/2" Staple Grip
 G10231 = 10 1/8" Aurora Grip
 G10233 = 16" Aurora Grip
 G10242 = 12 1/4" Gear Grip
 G10253 = 12 7/8" Offset Colonnade Grip
 G10260 = 6" Pig Skin Grip
 G10261 = 16 3/8" Six Shooter Grip
 G10269 = 3 3/4" Mallard Pull
 G10305 = 10" Portia Grip
 G10307 = 17" Portia Grip
 G10310 = 30" Portia Grip
 G10309 = 6 11/16" Kenett Grip
 G10311 = 10" Kennet Grip
 G10312 = 13" Kennet Grip
 G10314 = 19" Kennet Grip
 G10315 = 23" Kennet Grip
 G10316 = 28" Kennet Grip
 G10318 = 40" Kennet Grip
 G10516 = 7" Verdura Grip
 G10521 = 13" Verdura Grip
 G10523 = 18" Verdura Grip

Grips (continued)

G10525 = 22" Verdura Grip
 G10526 = 28" Verdura Grip
 G10528 = 34" Verdura Grip
 G10529 = 46" Verdura Grip
 G10531 = 58" Verdura Grip
 G10608 = 8" Dilemma Grip
 G10610 = 10" Dilemma Grip
 G10612 = 12" Dilemma Grip
 G10614 = 14" Dilemma Grip
 G10618 = 18" Dilemma Grip
 G10624 = 24" Dilemma Grip
 G10636 = 36" Dilemma Grip
 G10704 = 12 1/8" Sedona
 G10707 = 17 1/4" Sedona
 G10710 = 36" Sedona Grip
 G10711 = 42" Sedona Grip
 G10801 = 10" Briggs Grip
 G10802 = 7 1/2" Kettle Grip
 G10806 = 20" Briggs Grip
 G10810 = 6" Offset Briggs Grip
 G20010 = 11 1/8" Shift Grip
 G20042 = 8" Brut Grip
 G20043 = 16" Brut Grip
 G20045 = 24 1/2" Brut Grip
 G21075 = 7 1/2" Mack Grip
 G21010 = 10" Mack Grip
 G21018 = 18" Mack Grip
 G21024 = 24" Mack Grip
 G21042 = 42" Mack Grip
 G30147 = 7 1/2" Smith Grip
 G30148 = 10" Smith Grip
 G30158 = 8" Convex Grip
 G30151 = 11" Convex Grip
 G30155 = 36" Convex Grip
 G30165 = 6" Crown Grip
 G30167 = 8" Pillar Grip
 G30168 = 8" Pillar Grip
 G30185 = 10" Chateau Grip
 G30186 = 8 1/2" Chateau Grip
 G30187 = 7" Chateau Grip
 G30188 = 8" Cabernet Grip
 G30300 = 6" Offset Trousdale Grip
 G30301 = 7 1/2" Trousdale Grip
 G30302 = 10" Trousdale Grip
 G30303 = 12" Trousdale Grip
 G30304 = 18" Trousdale Grip
 G30307 = 24" Trousdale Grip
 G30308 = 36" Trousdale Grip
 SDP6 = 6" Offset D Grip
 SDT6 = 6" Offset Branch Grip

*Not compatible for back-to-back mounting.

TBCAP1 = 7/8" Thru-Bolt Screw Caps

Key

(K) = Keyed Escutcheon
 (TP) = Turn Piece Escutcheon

Sample Order / Cheat Sheet

G Push/Pull Sets

3/3

ESCUTCHEONS**Arched**

E780 = 2 1/2" x 13" Arched
 E707 = 3" x 13" Arched
 G763 = 2 3/4" x 20" Arched
 G761 = 2 3/4" x 20" Arched (K)
 G762 = 2 3/4" x 20" Arched (TP)
 G771 = 3 1/2" x 20" Arched
 G770 = 3 1/2" x 20" Arched (K)
 G772 = 3 1/2" x 20" Arched (TP)
 G784 = 3 1/2" x 26" Arched
 G781 = 3 1/2" x 26" Arched (K)
 G782 = 3 1/2" x 26" Arched (TP)

Bordeaux

G30831 = 3" x 28 13/16" Bordeaux
 G30833 = 3" x 28 13/16" Bordeaux (K)
 G30832 = 3" x 28 13/16" Bordeaux (TP)

Briggs

G10852 = 3 9/16" x 23 1/4" Briggs
 G10850 = 3 9/16" x 23 1/4" Briggs (K)
 G10851 = 3 9/16" x 23 1/4" Briggs (TP)

Convex

G30530 = 3" x 19" Convex
 G30532 = 3" x 19" Convex (K)
 G30531 = 3" x 19" Convex (TP)
 G30533 = 3 1/2" x 22" Convex
 G30535 = 3 1/2" x 22" Convex (K)
 G30534 = 3 1/2" x 22" Convex (TP)

Corbel Arched

G30631 = 3" x 19" Corbel
 G30633 = 3" x 19" Corbel (K)
 G30632 = 3" x 19" Corbel (TP)
 G30634 = 3 1/2" x 22" Corbel
 G30636 = 3 1/2" x 22" Corbel (K)
 G30635 = 3 1/2" x 22" Corbel (TP)

Corbel Rectangular

G30731 = 3" x 19" Corbel
 G30733 = 3" x 19" Corbel (K)
 G30732 = 3" x 19" Corbel (TP)
 G30734 = 3 1/2" x 22" Corbel
 G30736 = 3 1/2" x 22" Corbel (K)
 G30735 = 3 1/2" x 22" Corbel (TP)

Curved

G560 = 2 3/4" x 13" Curved
 G504 = 2 3/4" x 20" Curved
 G501 = 2 3/4" x 20" Curved (K)
 G502 = 2 3/4" x 20" Curved (TP)

ESCUTCHEONS (continued)

G508 = 3 1/2" x 26" Curved
 G505 = 3 1/2" x 26" Curved (K)
 G507 = 3 1/2" x 26" Curved (TP)

Designer

G133 = 3 1/2" x 18" Designer
 G130 = 3 1/2" x 18" Designer (K)
 G132 = 3 1/2" x 18" Designer (TP)
 G137 = 3 1/2" x 24" Designer
 G135 = 3 1/2" x 24" Designer (K)
 G136 = 3 1/2" x 24" Designer (TP)
 G147 = 3 9/16" x 34 1/8" Designer
 G145 = 3 9/16" x 34 1/8" Designer (K)
 G146 = 3 9/16" x 34 1/8" Designer (TP)

Edge

G180 = 2" x 18" Edge
 G182 = 2" x 18" Edge (K)
 G181 = 2" x 18" Edge (TP)
 G183 = 2" x 24" Edge
 G185 = 2" x 24" Edge (K)
 G184 = 2" x 24" Edge (TP)

Ellis

G030 = 3 1/2" x 20" Ellis
 G033 = 3 1/2" x 20" Ellis (K)
 G031 = 3 1/2" x 20" Ellis (TP)

Fleur de Lis

G843 = 3 1/4" x 27" Fleur de Lis
 G841 = 3 1/4" x 27" Fleur de Lis (K)
 G842 = 3 1/4" x 27" Fleur de Lis (TP)

Gothic

G804 = 4 3/16" x 18" Gothic
 G801 = 4 3/16" x 18" Gothic (K)
 G802 = 4 3/16" x 18" Gothic (TP)

Hammered

G30431 = 3" x 19" Hammered
 G30433 = 3" x 19" Hammered (K)
 G30432 = 3" x 19" Hammered (TP)

Mack

G21030 = 3 3/4" x 20" Mack
 G21033 = 3 3/4" x 20" Mack (K)
 G21031 = 3 3/4" x 20" Mack (TP)

Maddox

G584 = 3 1/2" x 22" Maddox
 G581 = 3 1/2" x 22" Maddox (K)
 G582 = 3 1/2" x 22" Maddox (TP)

ESCUTCHEONS (continued)**Metro**

G227 = 2 1/4" x 17" Metro
 G225 = 2 1/4" x 17" Metro (K)
 G226 = 2 1/4" x 17" Metro (TP)
 G230 = 2 1/4" x 20" Metro
 G233 = 2 1/4" x 20" Metro (K)
 G231 = 2 1/4" x 20" Metro (TP)
 G209 = 2 1/4" x 30" Metro
 G207 = 2 1/4" x 30" Metro (K)
 G208 = 2 1/4" x 30" Metro (TP)
 G240 = 2 3/4" x 20" Metro
 G242 = 2 3/4" x 20" Metro (K)
 G241 = 2 3/4" x 20" Metro (TP)
 G236 = 2 3/4" x 23" Metro
 G238 = 2 3/4" x 23" Metro (K)
 G237 = 2 3/4" x 23" Metro (TP)
 G204 = 3 1/2" x 18" Metro
 G206 = 3 1/2" x 18" Metro (K)
 G205 = 3 1/2" x 18" Metro (TP)
 G203 = 3 1/2" x 30" Metro
 G201 = 3 1/2" x 30" Metro (K)
 G202 = 3 1/2" x 30" Metro (TP)

Oasis

G10273 = 3" x 20" Oasis
 G10275 = 3" x 20" Oasis (K)
 G10274 = 3" x 20" Oasis (TP)

Rectangular

E480 = 2 1/2" x 13" Rect
 E465 = 3 1/2" x 13" Rect
 G644 = 2 3/4" x 18" Rect
 G641 = 2 3/4" x 18" Rect (K)
 G642 = 2 3/4" x 18" Rect (TP)
 G604 = 3 1/2" x 18" Rect
 G601 = 3 1/2" x 18" Rect (K)
 G602 = 3 1/2" x 18" Rect (TP)
 G684 = 3 1/2" x 24" Rect
 G681 = 3 1/2" x 24" Rect (K)
 G682 = 3 1/2" x 24" Rect (TP)

Stepped

G304 = 2 3/4" x 20" Stepped
 G301 = 2 3/4" x 20" Stepped (K)
 G302 = 2 3/4" x 20" Stepped (TP)

G324 = 3 1/2" x 20" Stepped
 G320 = 3 1/2" x 20" Stepped (K)

G322 = 3 1/2" x 20" Stepped (TP)
 G327 = 3 1/2" x 24" Stepped
 G326 = 3 1/2" x 24" Stepped (K)
 G328 = 3 1/2" x 24" Stepped (TP)

Trousdale

G30331 = 3" x 18" Trousdale
 G30333 = 3" x 18" Trousdale (K)
 G30332 = 3" x 18" Trousdale (TP)

Options for "DESCRIPTION" column (pg Gi)**Grip Leather Options**

GLA = Acorn Weave
 GLB = Brown Weave

Leather Options

LBK = Black Leather
 LBT = Brown Tapestry Leather
 LBW = Brown Weave Leather
 LCH = Chocolate Leather
 LHA = Hazelnut Leather
 LSP = Spice Leather
 LWH = White Leather
 LWI = Wine Leather

Bronze Insert Options

BTW = Weave Insert
 BFL = Flower Insert
 BTD = Tide Insert
 BWD = Wood Insert
 BBR = Branch Insert
 BBA = Basic Insert
 BTF = Tuft Insert
 BRT = Flute Insert

Edge Collection Options

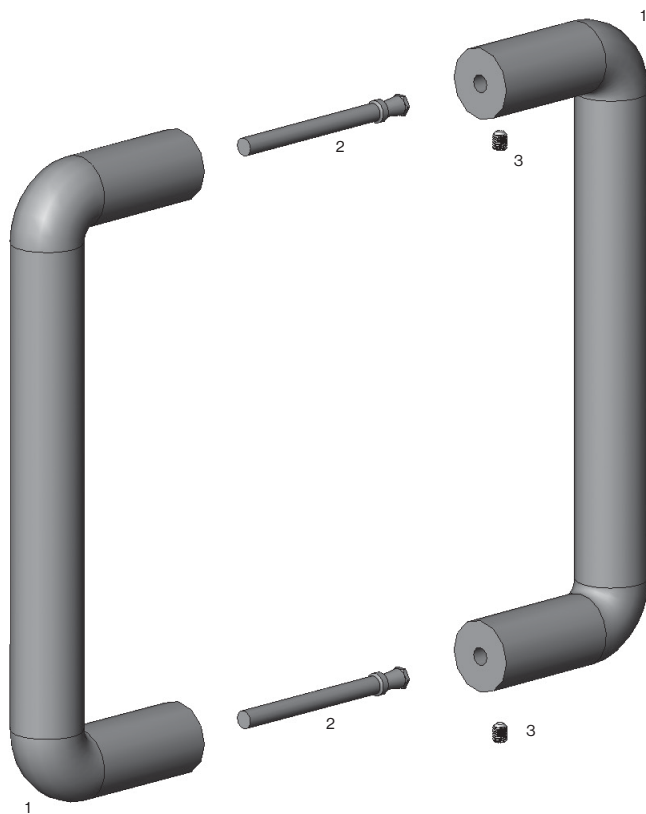
ETW = Weave
 EWD = Wood
 EBA = Basic
 ETD = Tide
 EWR = Wire
 EMS = Moonshape

Key

(K) = Keyed Escutcheon
 (TP) = Turn Piece Escutcheon

Push/Pull Set Combinations—Back-to-Back Mounting

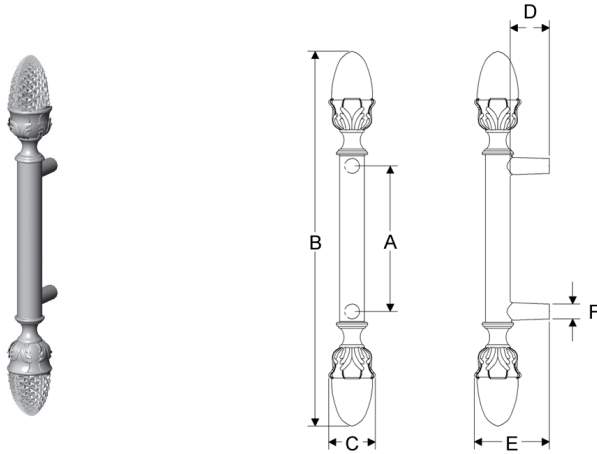
- 1 Grip
- 2 Back-to-Back Screw
- 3 Set Screw



- Single grips are thru-bolted.
- Double grips have back-to-back mounting.
- Specify metal, patina, and door thickness.
- Images for each grip may not accurately represent the design of additional sizes available. Please visit our website for more details.

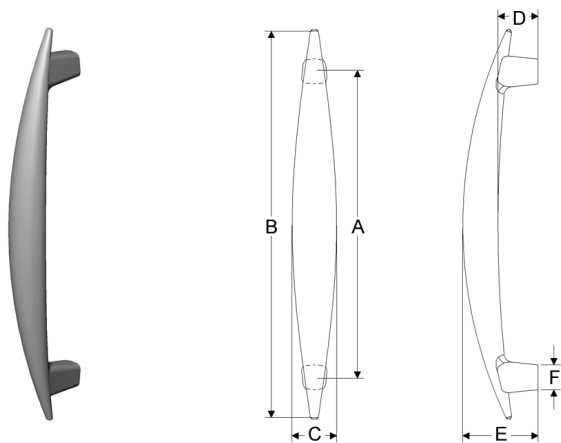
ACORN GRIP

	A	B	C	D	E	F	lbs/ea	♿	Single	Double
G660	7 3/8"	19"	2 3/8"	2"	3 13/16"	3/4"	10.75	Y	\$ 742	\$ 1,514
G672	36"	48"	2 3/8"	2"	3 13/16"	1"	20.75	Y	\$ 1,523	\$ 3,076



ARC GRIP

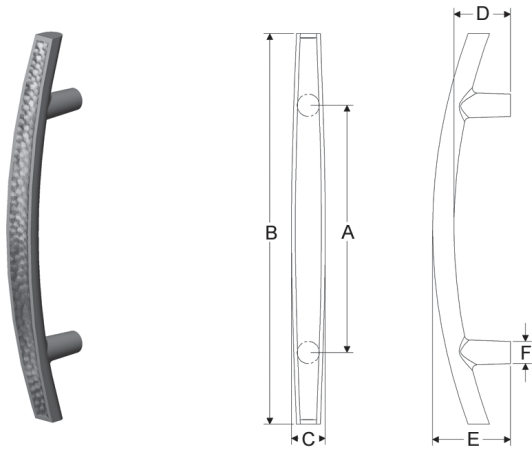
	A	B	C	D	E	F	lbs/ea	♿	Single	Double
G10182	11 3/4"	14 3/4"	1 11/16"	1 9/16"	2 7/8"	15/16"	4.75	Y	\$ 532	\$ 1,094
G10184	19 3/8"	22 3/4"	1 11/16"	1 5/8"	3"	15/16"	6.50	Y	\$ 745	\$ 1,520



- Single grips are thru-bolted.
- Double grips have back-to-back mounting.
- Specify metal, patina, and door thickness.
- Images for each grip may not accurately represent the design of additional sizes available. Please visit our website for more details.

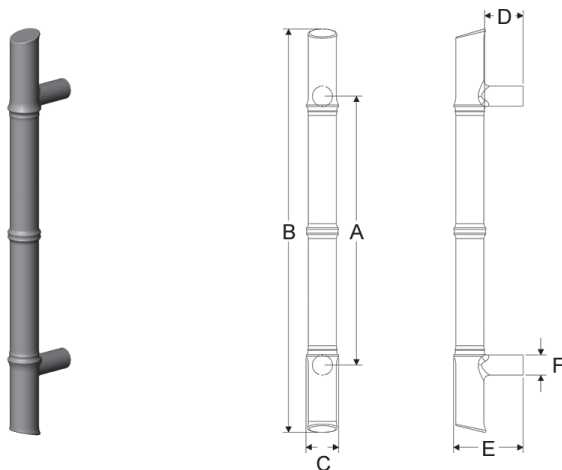
AURORA GRIP

	A	B	C	D	E	F	lbs/ea	♿	Single	Double
G10231	10 1/8"	16"	1 3/8"	2 5/16"	3 3/16"	15/16"	4.75	Y	\$ 532	\$ 1,094
G10233	16"	22"	1 1/2"	2 9/16"	3 5/8"	15/16"	7.50	Y	\$ 745	\$ 1,520



BAMBOO GRIP

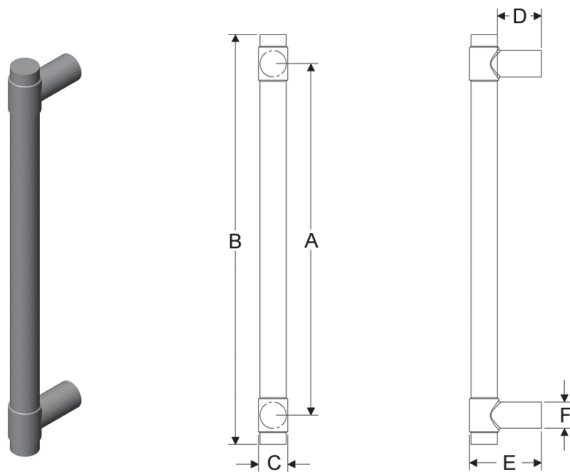
	A	B	C	D	E	F	lbs/ea	♿	Single	Double
G687	12"	18"	1 7/16"	1 11/16"	3 1/8"	7/8"	7.50	Y	\$ 567	\$ 1,164
G686	15 3/4"	31 1/2"	1 7/16"	1 13/16"	3 3/16"	1"	12.50	Y	\$ 904	\$ 1,838
G685	18"	24"	1 7/16"	1 13/16"	3 3/16"	1"	10.00	Y	\$ 689	\$ 1,408



- Single grips are thru-bolted.
- Double grips have back-to-back mounting.
- Specify metal, patina, and door thickness.
- Images for each grip may not accurately represent the design of additional sizes available. Please visit our website for more details.

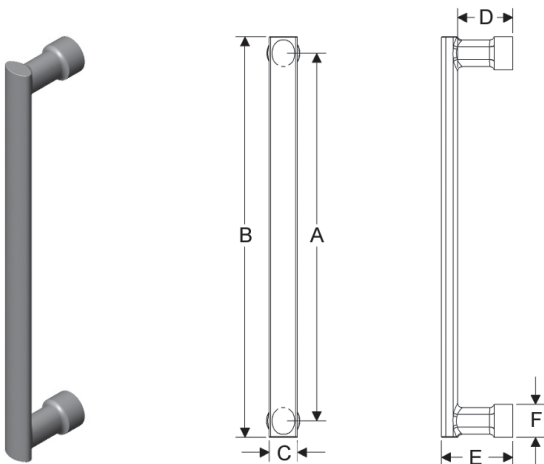
BARRE GRIP *ROGER THOMAS COLLECTION*

	A	B	C	D	E	F	lbs/ea	♿	Single	Double
G10062	12"	14"	1"	1 1/2"	2 7/16"	7/8"	3.50	Y	\$ 493	\$ 1,016
G10064	18"	20"	1"	1 1/2"	2 7/16"	7/8"	4.50	Y	\$ 532	\$ 1,094
G10065	24"	26"	1"	1 1/2"	2 7/16"	7/8"	5.75	Y	\$ 745	\$ 1,520
G10068	46"	48"	1"	1 1/2"	2 7/16"	7/8"	10.00	Y	\$ 1,148	\$ 2,326



BOILER GRIP

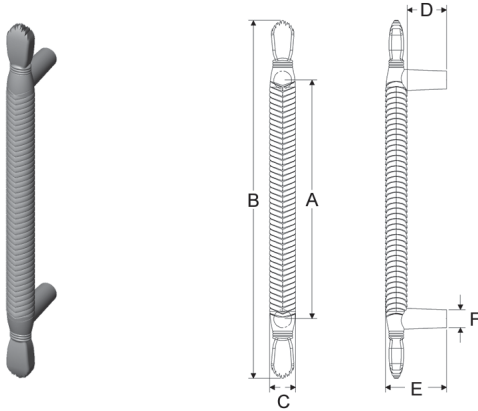
	A	B	C	D	E	F	lbs/ea	♿	Single	Double
G10052	10"	10 7/8"	3/4"	1 1/2"	1 15/16"	7/8"	1.25	Y	\$ 493	\$ 1,016



- Single grips are thru-bolted.
- Double grips have back-to-back mounting.
- Specify metal, patina, and door thickness.
- Images for each grip may not accurately represent the design of additional sizes available. Please visit our website for more details.

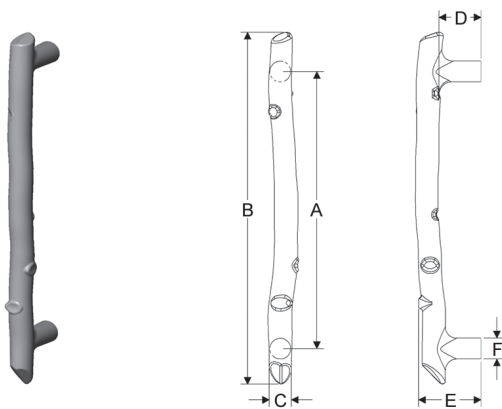
BRAIDED GRIP

	A	B	C	D	E	F	lbs/ea	♿	Single	Double
G673	12"	18"	11/4"	2"	3 1/16"	7/8"	5.00	Y	\$ 887	\$ 1,804



BRANCH GRIP

	A	B	C	D	E	F	lbs/ea	♿	Single	Double
G608	10"	12 9/16"	7/8"	1 1/2"	2 3/8"	7/8"	2.50	Y	\$ 493	\$ 1,016
G610	11"	17 1/16"	13/8"	2 3/4"	4"	13/16"	6.75	Y	\$ 532	\$ 1,094
G600	12"	18 11/16"	13/8"	2 3/4"	4"	13/16"	7.75	Y	\$ 745	\$ 1,520
G674	18"	26 1/4"	13/8"	3 5/8"	4 7/8"	11/16"	9.75	Y	\$ 888	\$ 1,806
G630	31 3/4"	37"	15/16"	2"	4"	7/8"	13.00	Y	\$ 888	\$ 1,806
G692	50"	55"	15/16"	2"	4"	7/8"	21.00	Y	\$ 1,941	\$ 3,912
G698	58 15/16"	68 1/4"	11/2"	2 3/16"	3 7/8"	15/16"	36.00	Y	\$ 2,106	\$ 4,242

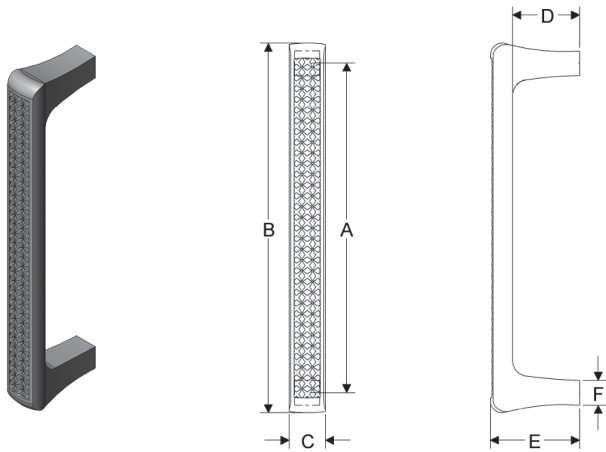


Images shown for Branch Grip may not accurately represent the design of all sizes available. Please visit our website for more details.

- Single grips are thru-bolted.
- Double grips have back-to-back mounting.
- Specify metal, patina, and door thickness.
- Images for each grip may not accurately represent the design of additional sizes available. Please visit our website for more details.

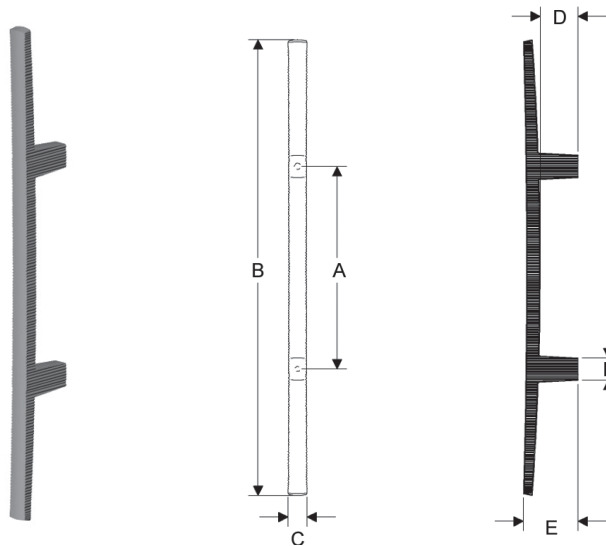
BRIGGS GRIP

	A	B	C	D	E	F	lbs/ea	♿	Single	Double
G10801	10"	11 3/16"	1 1/8"	2"	2 11/16"	3/4"	3.00	Y	\$ 493	\$ 1,016
G10806	20"	21 3/16"	1 1/8"	2"	2 11/16"	7/8"	5.00	Y	\$ 692	\$ 1,414



BRUT GRIP, TED BOERNER COLLECTION

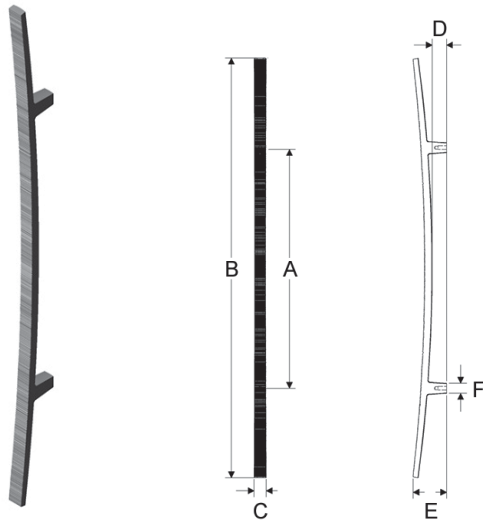
	A	B	C	D	E	F	lbs/ea	♿	Single	Double
G20042	8"	18"	3/4"	1 1/2"	2 3/16"	7/8"	2.25	Y	\$ 745	\$ 1,520
G20043	16"	30"	1"	1 1/2"	2 9/16"	15/16"	5.75	Y	\$ 968	\$ 1,966



- Single grips are thru-bolted.
- Double grips have back-to-back mounting.
- Specify metal, patina, and door thickness.
- Images for each grip may not accurately represent the design of additional sizes available. Please visit our website for more details.

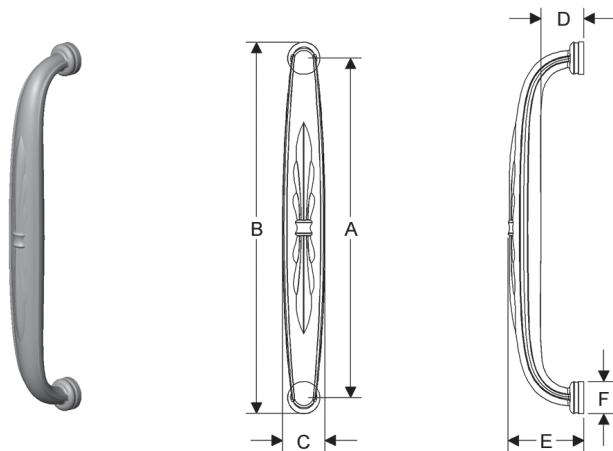
BRUT GRIP, TED BOERNER COLLECTION

	A	B	C	D	E	F	lbs/ea	♿	Single	Double
G20045	24 1/2"	42 3/4"	1 1/4"	1 1/2"	3 7/16"	1"	11.25	Y	\$ 1,019	\$ 2,068



CABERNET GRIP

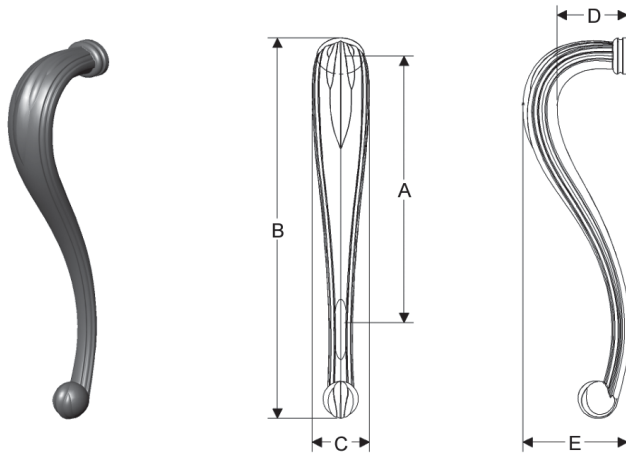
	A	B	C	D	E	F	lbs/ea	♿	Single	Double
G30188	8"	8 3/4"	1"	1"	1 3/4"	3/4"	1.00	N	\$ 493	n/a



- Single grips are thru-bolted.
- Double grips have back-to-back mounting.
- Specify metal, patina, and door thickness.
- Images for each grip may not accurately represent the design of additional sizes available. Please visit our website for more details.

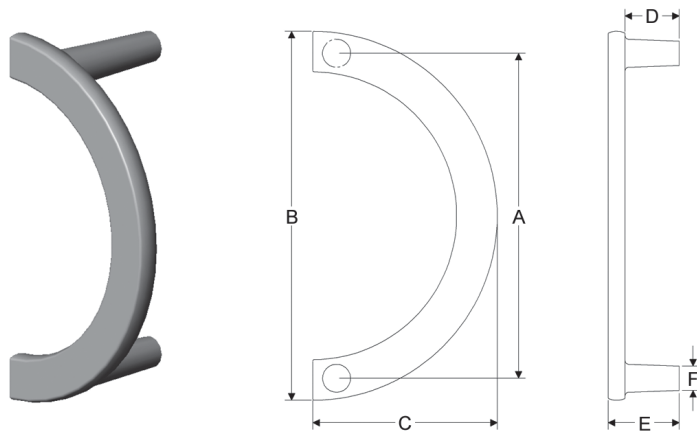
CHATEAU GRIP

	A	B	C	D	E	F	lbs/ea	♿	Single	Double
G30187	7"	10"	11/2"	15/8"	2 3/4"	n/a	1.75	Y	\$ 493	n/a
G30186	8 1/2"	12 1/2"	11/2"	17/8"	2 3/4"	n/a	2.25	Y	\$ 493	n/a
G30185	10"	15"	11/2"	17/8"	2 3/4"	n/a	2.75	Y	\$ 532	n/a



COMPASS GRIP

	A	B	C	D	E	F	lbs/ea	♿	Single	Double
G706	5"	6"	3"	1 1/2"	1 7/8"	9/16"	1.00	Y	\$ 493	\$ 1,016
G714	12"	13 5/8"	6 13/16"	2"	2 5/8"	7/8"	6.25	Y	\$ 692	\$ 1,414
G715	14"	15 5/8"	7 13/16"	2"	2 5/8"	7/8"	7.00	Y	\$ 817	\$ 1,664
G718	18"	19 9/16"	9 3/4"	2"	2 5/8"	7/8"	9.00	Y	\$ 1,063	\$ 2,156

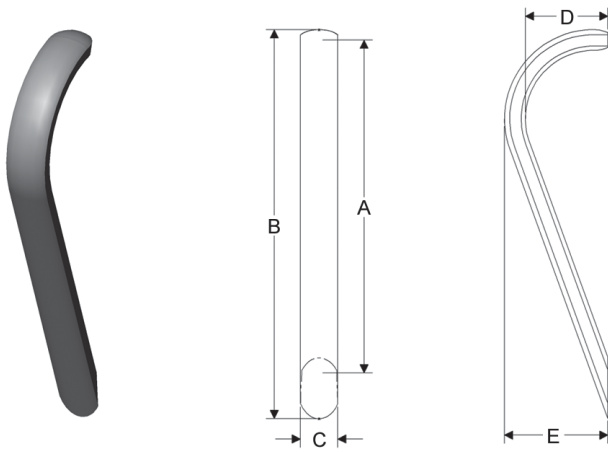


Note: Grip G718 has an additional mounting post located in the center of the curve.

- Single grips are thru-bolted.
- Double grips have back-to-back mounting.
- Specify metal, patina, and door thickness.
- Images for each grip may not accurately represent the design of additional sizes available. Please visit our website for more details.

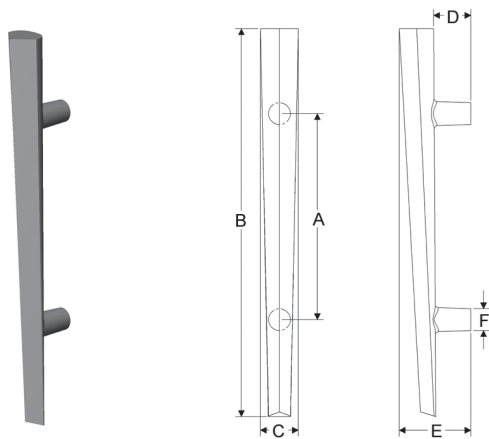
CIVIC GRIP

	A	B	C	D	E	F	lbs/ea	♿	Single	Double
G250	7 1/2"	9"	1 1/8"	2"	2 5/8"	n/a	1.50	Y	\$ 493	n/a
G254	10"	11 11/16"	1 1/8"	2 1/2"	3 1/8"	n/a	2.00	Y	\$ 493	n/a
G256	13 1/2"	16"	1 1/8"	2 1/2"	3 1/8"	n/a	3.00	Y	\$ 532	n/a



CLEAT GRIP

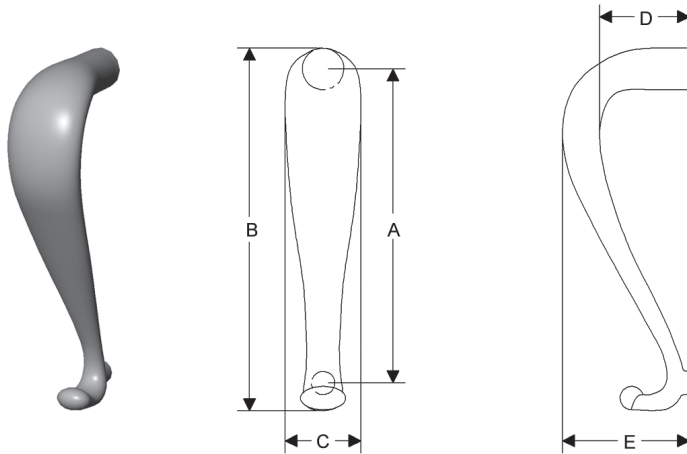
	A	B	C	D	E	F	lbs/ea	♿	Single	Double
G10210	8 1/2"	16"	1 9/16"	1 1/2"	2 15/16"	7/8"	4.75	Y	\$ 532	\$ 1,094
G10213	14"	23 1/4"	1 3/4"	1 1/2"	3 1/4"	7/8"	8.00	Y	\$ 689	\$ 1,408



- Single grips are thru-bolted.
- Double grips have back-to-back mounting.
- Specify metal, patina, and door thickness.
- Images for each grip may not accurately represent the design of additional sizes available. Please visit our website for more details.

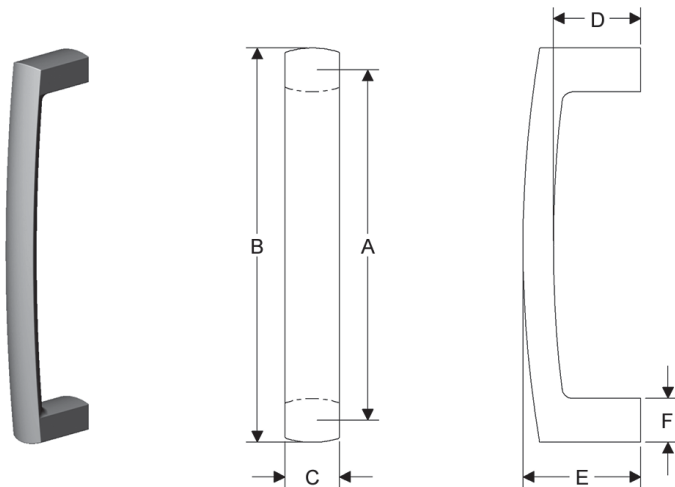
COBRA GRIP

	A	B	C	D	E	F	lbs/ea	♿	Single	Double
G618	6 1/2"	8 1/4"	19/16"	17/8"	2 5/8"	n/a	2.00	Y	\$ 493	n/a



CONVEX GRIP

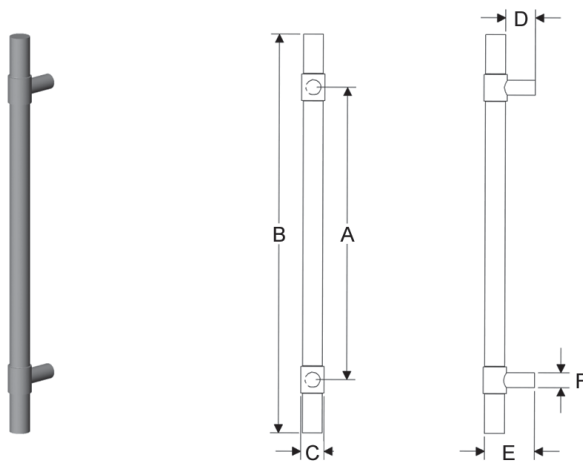
	A	B	C	D	E	F	lbs/ea	♿	Single	Double
G30158	8"	9"	1 1/4"	2"	2 11/16"	1"	3.00	Y	\$ 493	\$ 1,016
G30151	11"	12"	1 1/4"	2"	2 11/16"	1"	3.50	Y	\$ 493	\$ 1,016
G30155	36"	37"	1 1/4"	2"	2 11/16"	1"	8.25	Y	\$ 821	\$ 1,672



- Single grips are thru-bolted.
- Double grips have back-to-back mounting.
- Specify metal, patina, and door thickness.
- Images for each grip may not accurately represent the design of additional sizes available. Please visit our website for more details.

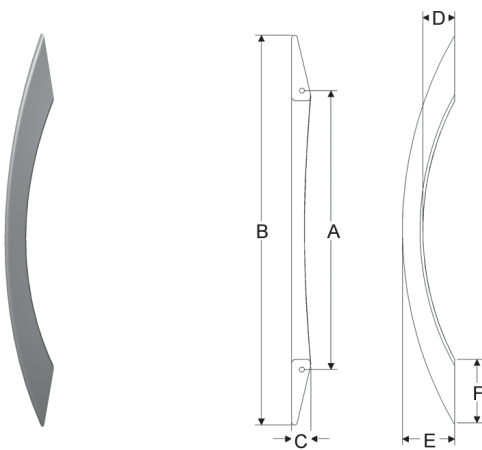
COUPLER GRIP

	A	B	C	D	E	F	lbs/ea	♿	Single	Double
G699	10"	18"	1 1/4"	2 1/4"	3 1/2"	1"	8.25	Y	\$ 678	\$ 1,386
G694	22"	30"	1 3/4"	2 1/4"	3 3/4"	1 1/8"	18.00	Y	\$ 1,019	\$ 2,068
G700	34"	42"	1 3/4"	2 1/4"	3 3/4"	1 1/8"	24.50	Y	\$ 1,360	\$ 2,750



CRESCENT GRIP

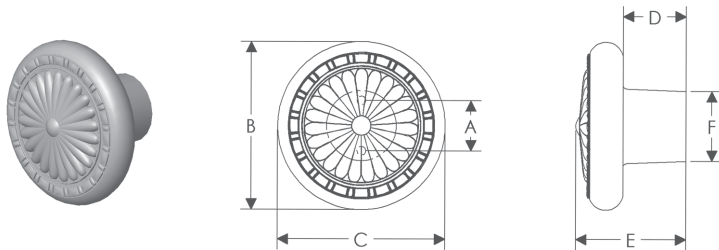
	A	B	C	D	E	F	lbs/ea	♿	Single	Double
G10163	17"	23 3/4"	1 1/4"	1 15/16"	3 3/16"	4"	5.75	Y	\$ 689	n/a
G10165	21"	29 3/4"	1 3/8"	2 5/16"	4"	4 7/8"	10.00	Y	\$ 821	n/a



- Single grips are thru-bolted.
- Double grips have back-to-back mounting.
- Specify metal, patina, and door thickness.
- Images for each grip may not accurately represent the design of additional sizes available. Please visit our website for more details.

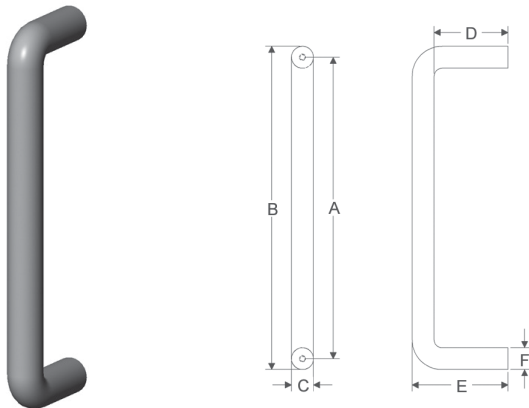
CROWN PULL

	A	B	C	D	E	F	lbs/ea	♿	Single	Double
G30165	113/16"	6"	6"	2 1/4"	3 15/16"	2 1/2"	13.75	N	\$ 932	\$ 1,894



D GRIP

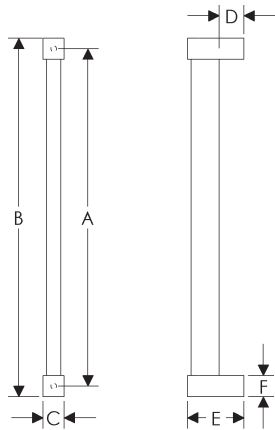
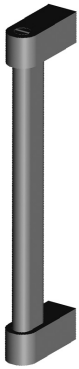
	A	B	C	D	E	F	lbs/ea	♿	Single	Double
DH6	6"	6 3/4"	3/4"	2"	2 13/16"	3/4"	1.50	Y	\$ 154	\$ 338
G609	8"	9"	1"	2"	3"	1"	3.00	Y	\$ 493	\$ 1,016
G619	10"	11"	1"	2"	3"	1"	3.75	Y	\$ 493	\$ 1,016
G628	12"	12 7/8"	7/8"	2 15/16"	3 13/16"	7/8"	3.00	Y	\$ 493	\$ 1,016
G629	18"	18 7/8"	7/8"	2 15/16"	3 13/16"	7/8"	4.00	Y	\$ 493	\$ 1,016
G636	30"	31 1/8"	1 1/8"	2 1/8"	3 1/4"	1 1/8"	11.00	Y	\$ 745	\$ 1,520



- Single grips are thru-bolted.
- Double grips have back-to-back mounting.
- Specify metal, patina, and door thickness.
- Images for each grip may not accurately represent the design of additional sizes available. Please visit our website for more details.

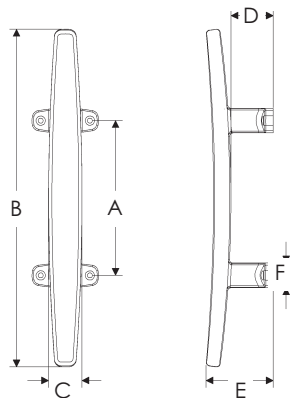
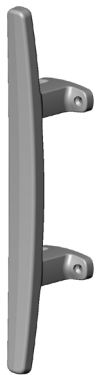
DILEMMA GRIP *PHASES COLLECTION*

	A	B	C	D	E	F	lbs/ea	♿	Single	Double
G10608	8"	8 3/4"	3/4"	7/8"	2"	3/4"	1.75	N	\$ 493	\$ 1,016
G10610	10"	10 3/4"	3/4"	7/8"	2"	3/4"	2.00	N	\$ 493	\$ 1,016
G10612	12"	12 3/4"	3/4"	7/8"	2"	3/4"	2.25	N	\$ 493	\$ 1,016
G10614	14"	14 3/4"	3/4"	7/8"	2"	3/4"	2.50	N	\$ 532	\$ 1,094
G10618	18"	18 3/4"	3/4"	7/8"	2"	3/4"	3.00	N	\$ 532	\$ 1,094
G10624	24"	24 3/4"	3/4"	7/8"	2"	3/4"	3.75	N	\$ 689	\$ 1,408
G10636	36"	36 3/4"	3/4"	7/8"	2"	3/4"	5.50	N	\$ 821	\$ 1,672



DOCK GRIP

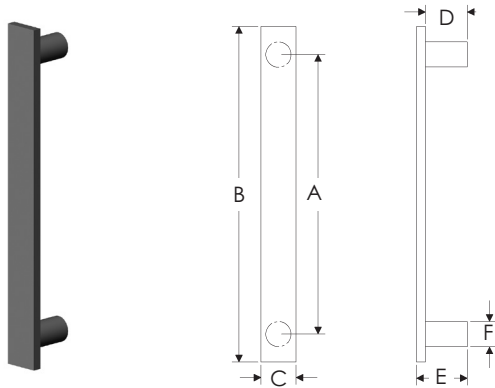
	A	B	C	D	E	F	lbs/ea	♿	Single	Double
G10608	5 1/2"	12"	1 3/16"	1 1/2"	2 3/8"	7/8"	3.00	Y	\$ 493	\$ 1,016
G10610	6"	18"	1 3/16"	1 1/2"	2 3/8"	7/8"	4.00	Y	\$ 532	\$ 1,094
G10612	8"	24"	1 3/16"	1 1/2"	2 3/8"	7/8"	5.00	Y	\$ 689	\$ 1,408



- Single grips are thru-bolted.
- Double grips have back-to-back mounting.
- Specify metal, patina, and door thickness.
- Images for each grip may not accurately represent the design of additional sizes available. Please visit our website for more details.

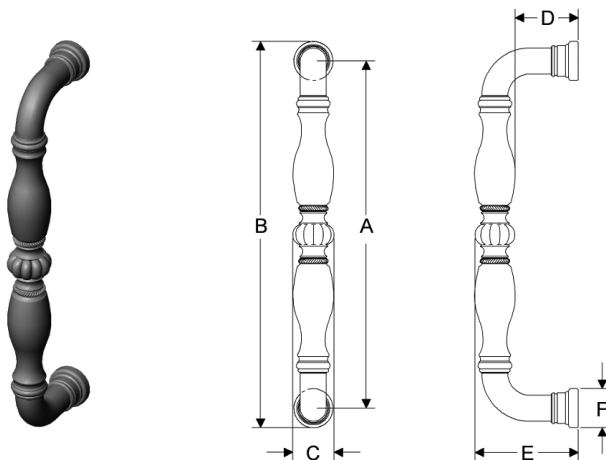
EDGE BAR GRIP *Requires texture choice

	A	B	C	D	E	F	lbs/ea	♿	Single	Double
G10080	7 1/2"	9 1/2"	1 1/4"	1 1/2"	1 7/8"	7/8"	2.00	Y	\$ 493	\$ 1,016
G10081	10"	12"	1 1/4"	1 1/2"	1 7/8"	7/8"	2.25	Y	\$ 493	\$ 1,016
G10082	12"	14"	1 1/4"	1 1/2"	1 7/8"	7/8"	2.50	Y	\$ 493	\$ 1,016
G10083	14"	16"	1 1/4"	1 1/2"	1 7/8"	7/8"	2.75	Y	\$ 532	\$ 1,094
G10084	18"	20"	1 1/4"	1 1/2"	1 7/8"	7/8"	3.25	Y	\$ 532	\$ 1,094
G10085	24"	26"	1 1/4"	1 1/2"	1 7/8"	7/8"	4.00	Y	\$ 689	\$ 1,408



ELLIS GRIP

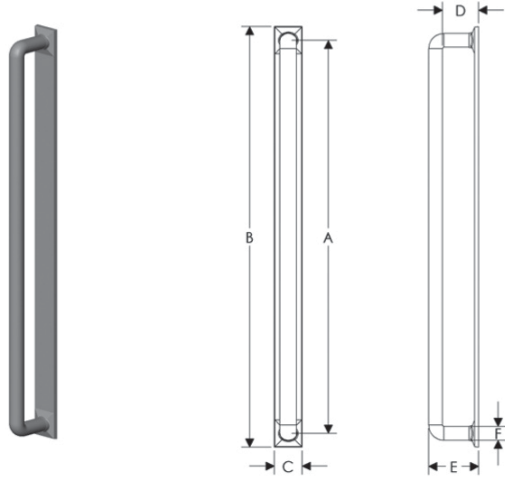
	A	B	C	D	E	F	lbs/ea	♿	Single	Double
G060	7 1/2"	8 3/8"	1"	1 15/16"	2 7/8"	7/8"	1.75	Y	\$ 493	\$ 1,016
G070	10"	11 1/8"	1 3/16"	1 13/16"	3"	1 1/8"	3.75	Y	\$ 493	\$ 1,016



- Single grips are thru-bolted.
- Double grips have back-to-back mounting.
- Specify metal, patina, and door thickness.
- Images for each grip may not accurately represent the design of additional sizes available. Please visit our website for more details.

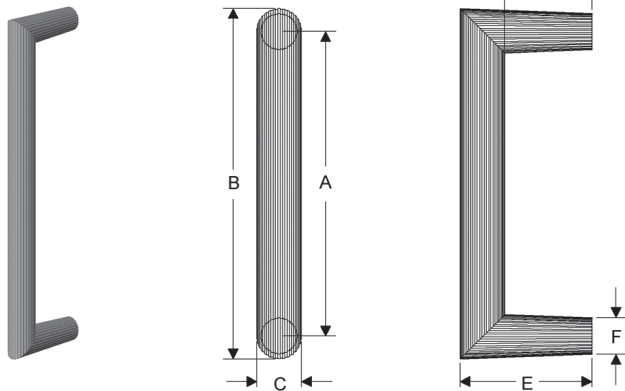
EMPIRE GRIP

	A	B	C	D	E	F	lbs/ea	♿	Single	Double
G419	17 3/4"	19"	1 1/4"	1 5/8"	2 1/4"	5/8"	3.50	Y	\$ 759	n/a
G422	34 3/4"	36"	1 1/4"	1 5/8"	2 1/4"	5/8"	6.50	Y	\$ 1,447	n/a



FLUTE GRIP, ROGER THOMAS COLLECTION

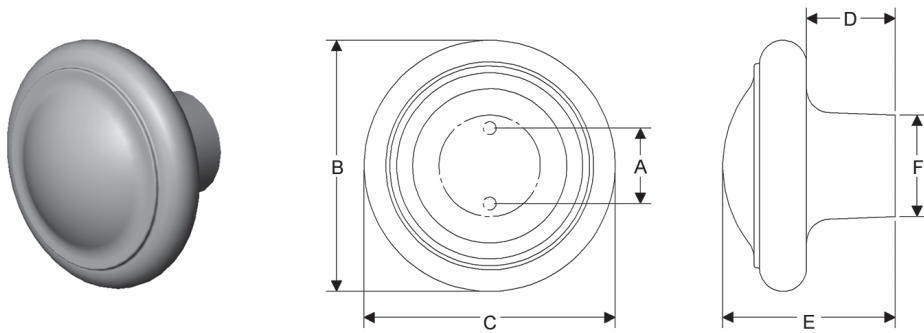
	A	B	C	D	E	F	lbs/ea	♿	Single	Double
G10075	7 1/2"	8 5/8"	11/16"	2 1/8"	3 1/4"	7/8"	3.50	Y	\$ 493	\$ 1,016
G10012	12"	13 1/8"	11/16"	2 1/8"	3 1/4"	7/8"	4.50	Y	\$ 493	\$ 1,016
G10019	18 7/8"	20"	11/16"	2 1/8"	3 1/4"	7/8"	6.50	Y	\$ 532	\$ 1,094
G10023	22 7/8"	24"	11/16"	2 1/8"	3 1/4"	7/8"	7.50	Y	\$ 745	\$ 1,520
G10032	32 1/4"	33 1/4"	11/16"	2 1/8"	3 1/4"	7/8"	10.00	Y	\$ 1,166	\$ 2,362



- Single grips are thru-bolted.
- Double grips have back-to-back mounting.
- Specify metal, patina, and door thickness.
- Images for each grip may not accurately represent the design of additional sizes available. Please visit our website for more details.

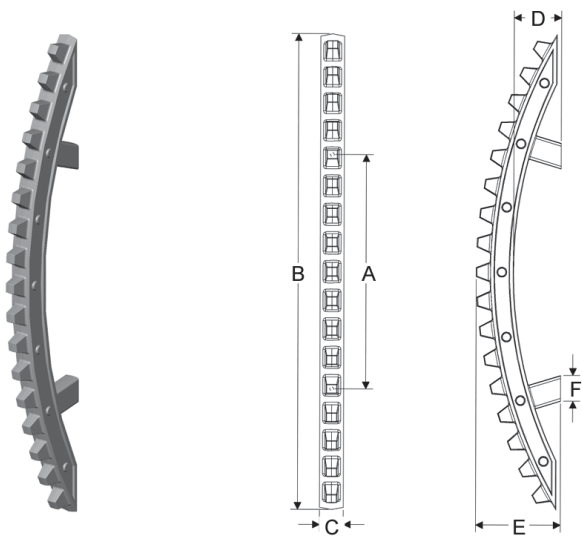
FRIEDMAN PULL

	A	B	C	D	E	F	lbs/ea	♿	Single	Double
G667	1 13/16"	6"	6"	2 1/8"	4 1/8"	2 7/16"	15.00	N	\$ 821	\$ 1,672



GEAR GRIP

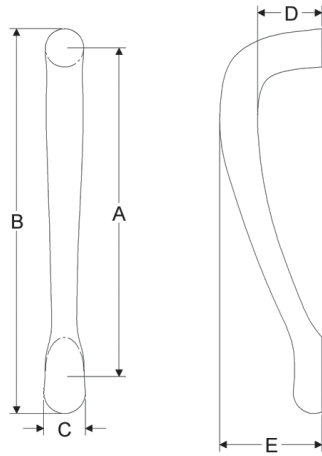
	A	B	C	D	E	F	lbs/ea	♿	Single	Double
G10242	12 1/2"	25 3/8"	1 1/4"	2 1/2"	4 1/2"	13/8"	13.00	Y	\$ 811	\$ 1,652



- Single grips are thru-bolted.
- Double grips have back-to-back mounting.
- Specify metal, patina, and door thickness.
- Images for each grip may not accurately represent the design of additional sizes available. Please visit our website for more details.

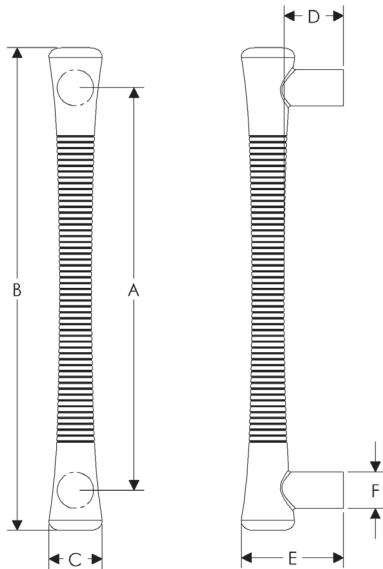
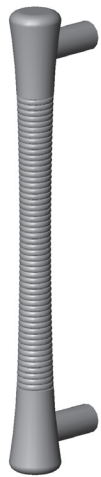
GOOSENECK GRIP

	A	B	C	D	E	F	lbs/ea	♿	Single	Double
G603	7 1/2"	8 11/16"	1 1/4"	1 3/4"	2 9/16"	n/a	2.00	Y	\$ 493	\$ 1,016
G614	12"	14 1/16"	1 1/2"	2 3/8"	3 3/4"	n/a	6.00	Y	\$ 532	\$ 1,094
G646	14"	16"	1 1/2"	2 3/4"	3 13/16"	n/a	6.50	Y	\$ 713	\$ 1,456



GROOVED GRIP

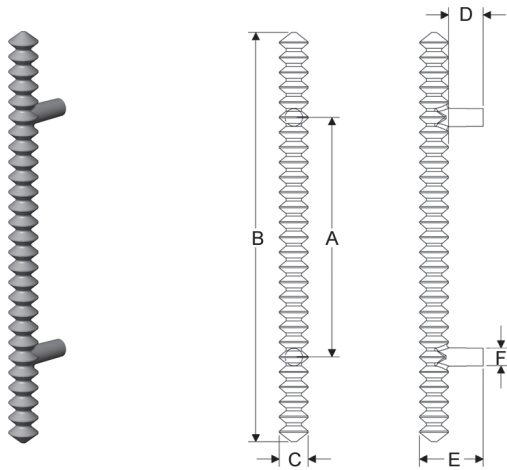
	A	B	C	D	E	F	lbs/ea	♿	Single	Double
G10092	10"	12"	1 5/16"	1 1/2"	2 1/2"	7/8"	3.00	Y	\$ 493	\$ 1,016



- Single grips are thru-bolted.
- Double grips have back-to-back mounting.
- Specify metal, patina, and door thickness.
- Images for each grip may not accurately represent the design of additional sizes available. Please visit our website for more details.

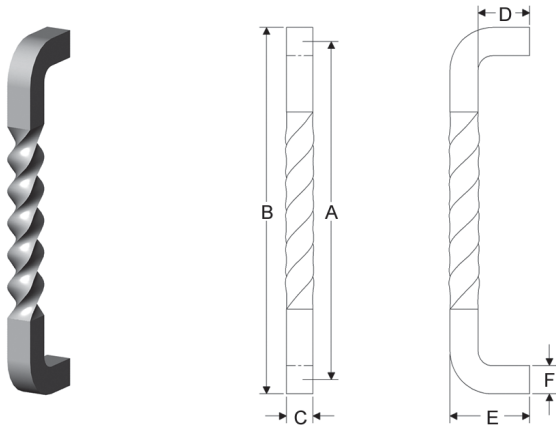
HELIOS GRIP

	A	B	C	D	E	F	lbs/ea	♿	Single	Double
G10171	10"	19 1/4"	2"	19/16"	3 9/16"	11/16"	12.75	Y	\$ 1,019	\$ 2,068
G10172	12"	20 1/2"	17/16"	13/4"	3 3/16"	7/8"	6.75	Y	\$ 689	\$ 1,408
G10174	21 3/4"	30 1/4"	17/16"	13/4"	3 3/16"	7/8"	9.50	Y	\$ 821	\$ 1,672



HELIX GRIP

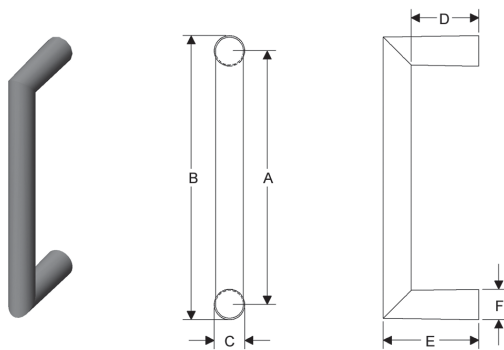
	A	B	C	D	E	F	lbs/ea	♿	Single	Double
G683	8"	9"	1"	113/16"	2 13/16"	1"	3.50	Y	\$ 493	\$ 1,016
G631	12"	13"	15/16"	113/16"	2 13/16"	1"	4.25	Y	\$ 493	\$ 1,016
G697	13 5/8"	14 7/8"	13/16"	111/16"	2 15/16"	11/4"	7.75	Y	\$ 532	\$ 1,094



- Single grips are thru-bolted.
- Double grips have back-to-back mounting.
- Specify metal, patina, and door thickness.
- Images for each grip may not accurately represent the design of additional sizes available. Please visit our website for more details.

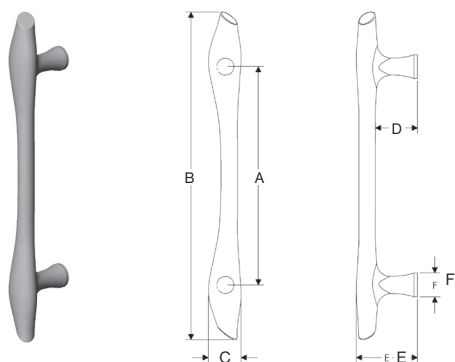
JANE GRIP

	A	B	C	D	E	F	lbs/ea	♿	Single	Double
G365	7 1/2"	8 3/8"	13/16"	2"	2 13/16"	7/8"	2.00	Y	\$ 493	\$ 1,016
G366	9"	9 7/8"	13/16"	2"	2 13/16"	7/8"	2.25	Y	\$ 493	\$ 1,016
G369	24"	24 7/8"	13/16"	2"	2 13/16"	7/8"	4.75	Y	\$ 689	\$ 1,408
G371	48"	49 1/8"	1 1/16"	2"	3 1/16"	1 1/8"	14.00	Y	\$ 1,148	\$ 2,326
G374	84"	85 1/2"	1 3/8"	2"	3 3/8"	1 7/16"	41.00	Y	\$ 2,106	\$ 4,242



KENNET GRIP

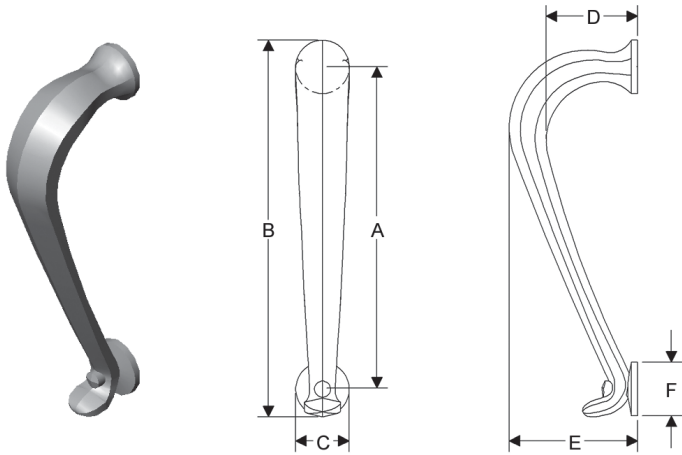
	A	B	C	D	E	F	lbs/ea	♿	Single	Double
G10309	6 11/16"	10"	1"	1 3/16"	1 7/8"	7/8"	1.50	Y	\$ 493	\$ 1,016
G10311	10"	15"	1 1/2"	1 15/16"	2 13/16"	1 1/8"	3.75	Y	\$ 493	\$ 1,016
G10312	13"	18"	1 1/2"	1 15/16"	2 13/16"	1 1/8"	4.25	Y	\$ 689	\$ 1,408
G10314	19"	26"	2 1/16"	1 15/16"	3 1/8"	1 1/8"	10.50	Y	\$ 821	\$ 1,672
G10315	23"	30"	1 1/2"	1 15/16"	2 13/16"	1 1/8"	11.75	Y	\$ 928	\$ 1,886
G10316	28"	36"	2 3/8"	2"	3 3/8"	1 1/4"	17.50	Y	\$ 1,019	\$ 2,068
G10318	40"	48"	2 3/8"	2"	3 3/8"	1 1/4"	22.00	Y	\$ 1,552	\$ 3,134



- Single grips are thru-bolted.
- Double grips have back-to-back mounting.
- Specify metal, patina, and door thickness.
- Images for each grip may not accurately represent the design of additional sizes available. Please visit our website for more details.

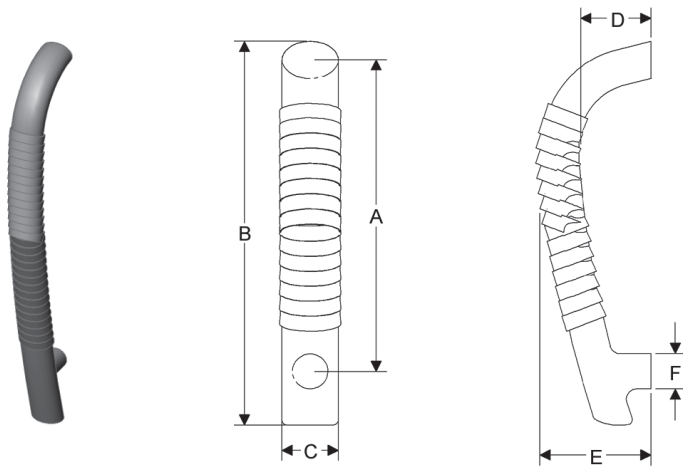
KETTLE GRIP

	A	B	C	D	E	F	lbs/ea	♿	Single	Double
G10802	7 1/2"	8 13/16"	1 1/4"	2 1/8"	3"	1 1/4"	2.25	Y	\$ 493	\$ 1,016



LARIAT GRIP

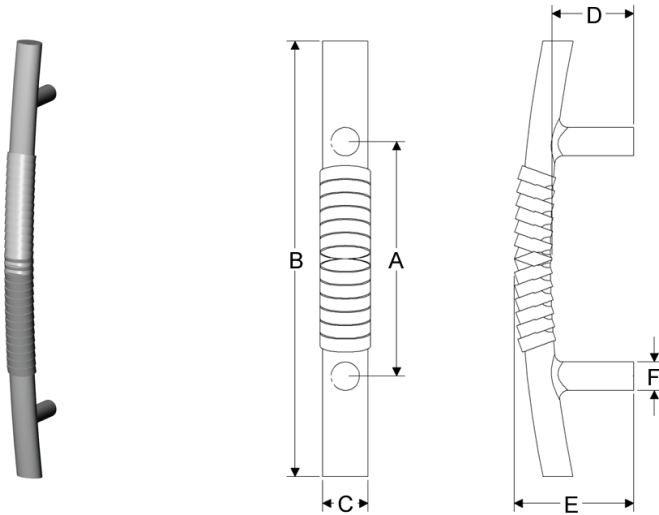
	A	B	C	D	E	F	lbs/ea	♿	Single	Double
G637	7 1/2"	9 1/4"	1 3/8"	1 11/16"	2 11/16"	7/8"	3.50	Y	\$ 493	\$ 1,016
G635	14"	16 3/4"	1 3/8"	2 1/8"	3 3/16"	7/8"	6.00	Y	\$ 713	\$ 1,456



- Single grips are thru-bolted.
- Double grips have back-to-back mounting.
- Specify metal, patina, and door thickness.
- Images for each grip may not accurately represent the design of additional sizes available. Please visit our website for more details.

LARIAT GRIP

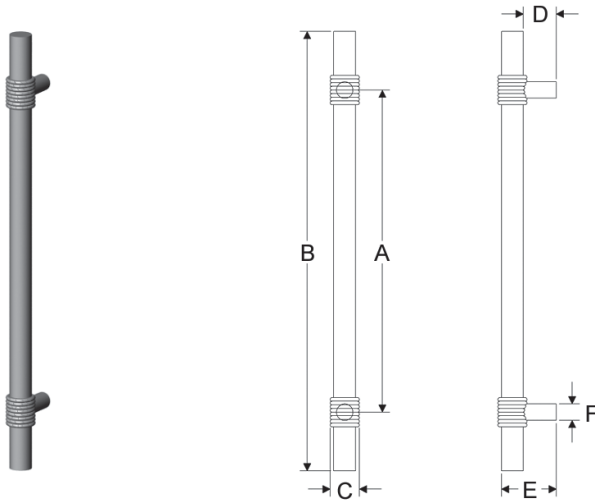
	A	B	C	D	E	F	lbs/ea	♿	Single	Double
G638	7"	13"	13/8"	2 7/16"	3 9/16"	7/8"	4.25	Y	\$ 532	\$ 1,094
G640	16"	22"	13/8"	2 7/16"	3 1/2"	7/8"	8.75	Y	\$ 692	\$ 1,414
G643	22"	28"	1 1/2"	3"	4 1/8"	1"	12.50	Y	\$ 811	\$ 1,652
G647	34"	40"	1 1/2"	3"	4 1/16"	1"	17.00	Y	\$ 1,269	\$ 2,568
G670	35 13/16"	48"	1 3/4"	4 5/16"	5 13/16"	1 1/8"	29.00	Y	\$ 1,269	\$ 2,568



- Single grips are thru-bolted.
- Double grips have back-to-back mounting.
- Specify metal, patina, and door thickness.
- Images for each grip may not accurately represent the design of additional sizes available. Please visit our website for more details.

LASH GRIP

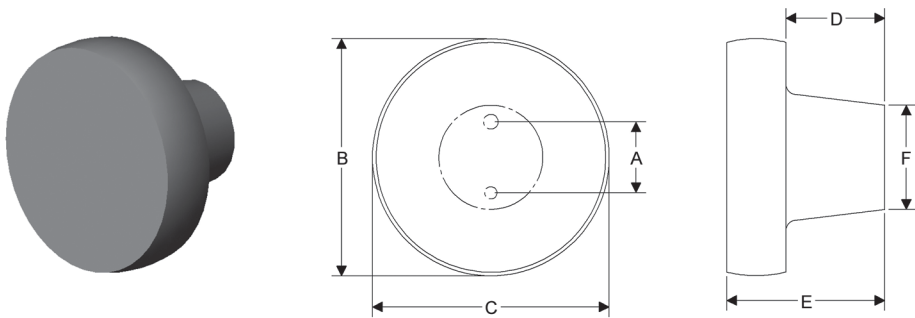
	A	B	C	D	E	F	lbs/ea	♿	Single	Double
G696	16"	22"	2"	2 1/4"	3 3/4"	1 1/8"	14.50	Y	\$ 968	\$ 1,966
G627	22"	30"	2"	2 1/4"	3 3/4"	1 1/8"	17.00	Y	\$ 1,019	\$ 2,068
G705	34"	42"	2"	2 1/4"	3 3/4"	1 1/8"	25.00	Y	\$ 1,444	\$ 2,918
G654	42"	50"	2"	2 1/4"	3 3/4"	1 1/8"	27.00	Y	\$ 1,740	\$ 3,510
G569	60"	84"	2"	2 1/4"	3 3/4"	1 1/8"	47.50	Y	\$ 2,494	\$ 5,018



- Single grips are thru-bolted.
- Double grips have back-to-back mounting.
- Specify metal, patina, and door thickness.
- Images for each grip may not accurately represent the design of additional sizes available. Please visit our website for more details.

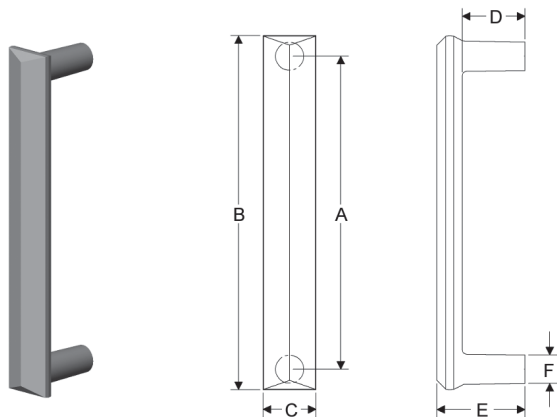
LUNA PULL

	A	B	C	D	E	F	lbs/ea	♿	Single	Double
G675	1 13/16"	6"	6"	2"	4"	2 5/8"	17.00	N	\$ 821	\$ 1,672



MACK GRIP

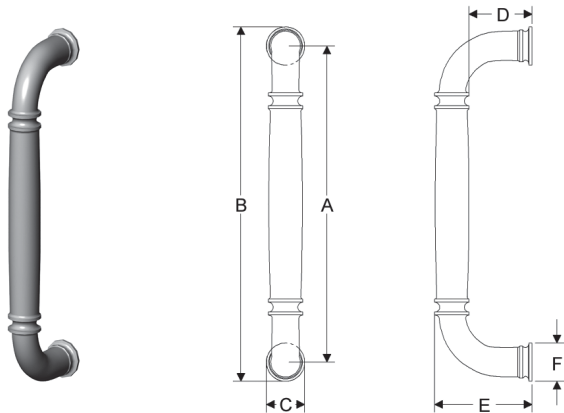
	A	B	C	D	E	F	lbs/ea	♿	Single	Double
G21075	7 1/2"	8 13/16"	1 1/8"	2"	2 13/16"	7/8"	2.25	Y	\$ 493	\$ 1,016
G21010	10"	11 5/16"	1 11/16"	2"	2 13/16"	7/8"	3.75	Y	\$ 493	\$ 1,016
G21018	18"	19 5/16"	1 11/16"	2"	2 13/16"	7/8"	6.00	Y	\$ 532	\$ 1,094
G21024	24"	25 5/16"	1 11/16"	2"	2 13/16"	7/8"	7.75	Y	\$ 745	\$ 1,520
G21042	42"	43 5/16"	1 11/16"	2"	2 13/16"	7/8"	12.50	Y	\$ 1,038	\$ 2,106



- Single grips are thru-bolted.
- Double grips have back-to-back mounting.
- Specify metal, patina, and door thickness.
- Images for each grip may not accurately represent the design of additional sizes available. Please visit our website for more details.

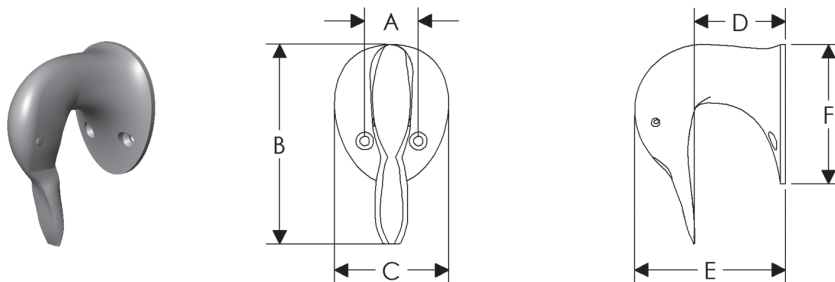
MADDOX GRIP

	A	B	C	D	E	F	lbs/ea	♿	Single	Double
G570	7 1/2"	8 3/4"	1 1/8"	1 3/4"	2 3/4"	1 1/8"	2.00	Y	\$ 493	\$ 1,016
G580	10"	11 1/4"	1 3/16"	2"	3 1/16"	1 3/16"	2.75	Y	\$ 493	\$ 1,016
G590	18"	19 3/16"	1 3/16"	2"	3 1/16"	1 3/16"	5.00	Y	\$ 532	\$ 1,094
G591	20"	21 3/16"	1 3/16"	2"	3 1/16"	1 3/16"	5.50	Y	\$ 689	\$ 1,408
G592	30"	31 3/16"	1 3/16"	2"	3 1/16"	1 3/16"	8.00	Y	\$ 821	\$ 1,672



MALLARD PULL

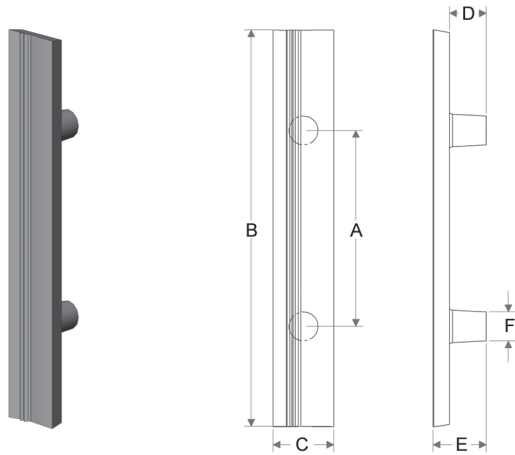
	A	B	C	D	E	F	lbs/ea	♿	Single	Double
G10269	1"	3 3/4"	2 1/8"	1 11/16"	2 13/16"	2 5/8"	1.25	N	\$ 303	n/a



- Single grips are thru-bolted.
- Double grips have back-to-back mounting.
- Specify metal, patina, and door thickness.
- Images for each grip may not accurately represent the design of additional sizes available. Please visit our website for more details.

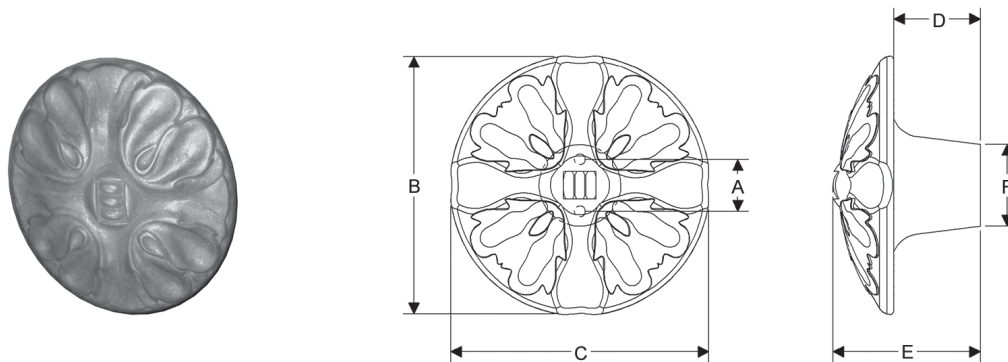
MARRAKESH GRIP

	A	B	C	D	E	F	lbs/ea	♿	Single	Double
G10200	7"	14 3/16"	2 3/16"	15/16"	17/8"	1"	5.00	N	\$ 532	\$ 1,094
G10203	12"	23 3/8"	2 3/16"	15/16"	17/8"	1"	7.75	N	\$ 745	\$ 1,520
G10209	70"	80"	2 3/16"	15/16"	2"	1"	27.5	N	\$ 2,391	\$ 4,812



MEDALLION PULL

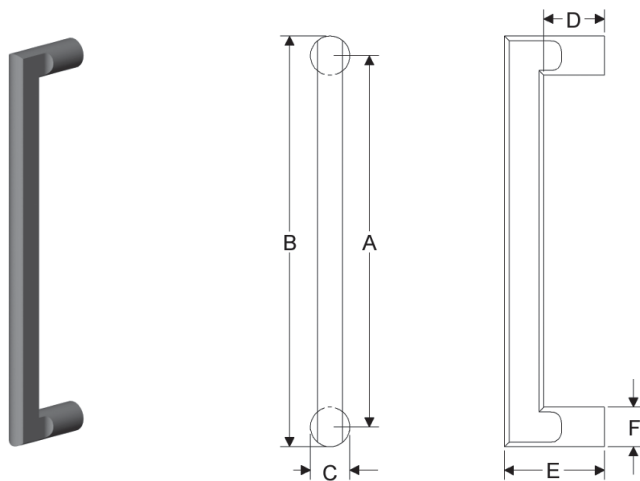
	A	B	C	D	E	F	lbs/ea	♿	Single	Double
G666	113/16"	6"	6"	2 1/2"	4 1/8"	2 5/8"	14.50	N	\$ 932	\$ 1,894
G665	113/16"	7"	7"	2 1/2"	4 1/8"	2 13/16"	17.25	N	\$ 1,119	\$ 2,268
G662	113/16"	9"	9"	3"	5 1/8"	2 13/16"	27.25	N	\$ 1,380	\$ 2,790



- Single grips are thru-bolted.
- Double grips have back-to-back mounting.
- Specify metal, patina, and door thickness.
- Images for each grip may not accurately represent the design of additional sizes available. Please visit our website for more details.

OLYMPUS GRIP

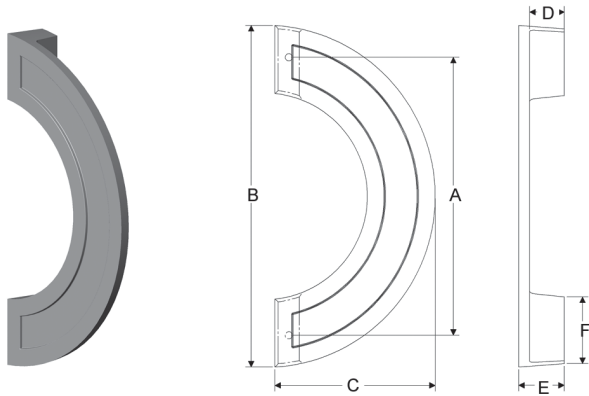
	A	B	C	D	E	F	lbs/ea	♿	Single	Double
G650	7 1/2"	8 1/2"	1"	15/8"	2 5/8"	1"	2.25	Y	\$ 493	\$ 1,016
G651	10"	11 1/16"	1 1/16"	15/8"	2 11/16"	1 1/16"	3.00	Y	\$ 493	\$ 1,016
G713	12"	13 1/8"	1 1/8"	2"	3 1/8"	1 1/8"	4.25	Y	\$ 493	\$ 1,016
G652	14"	15 1/8"	1 1/8"	2"	3 1/8"	1 1/8"	4.75	Y	\$ 532	\$ 1,094
G659	15"	16 1/8"	1 1/8"	2"	3 1/8"	1 1/8"	5.00	Y	\$ 532	\$ 1,094
G689	18"	19 1/16"	1 1/16"	15/8"	2 11/16"	1 1/16"	4.75	Y	\$ 532	\$ 1,094
G653	22 7/8"	24"	1 1/8"	2 1/2"	3 5/8"	1 1/8"	7.00	Y	\$ 745	\$ 1,520
G657	24"	25 1/8"	1 1/8"	2 1/2"	3 5/8"	1 1/8"	7.25	Y	\$ 745	\$ 1,520
G711	36"	37 1/8"	1 1/8"	2 1/2"	3 5/8"	1 1/8"	10.00	Y	\$ 928	\$ 1,886
G671	42"	43 1/8"	1 1/8"	2"	3 1/8"	1 1/8"	11.50	Y	\$ 1,019	\$ 2,068
G712	48"	49 3/8"	1 3/8"	2"	3 3/8"	1 3/8"	19.25	Y	\$ 1,148	\$ 2,326
G663	60"	61 3/8"	1 3/8"	2"	3 3/8"	1 3/8"	23.00	Y	\$ 1,752	\$ 3,534
G691	84"	85 1/2"	1 1/2"	2"	3 1/2"	1 1/2"	39.50	Y	\$ 2,106	\$ 4,242



- Single grips are thru-bolted.
- Double grips have back-to-back mounting.
- Specify metal, patina, and door thickness.
- Images for each grip may not accurately represent the design of additional sizes available. Please visit our website for more details.

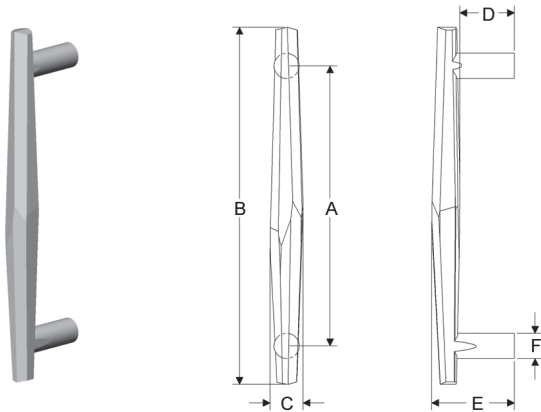
ORBIT GRIP

	A	B	C	D	E	F	lbs/ea	♿	Single	Double
G10118	12"	14 3/4"	6 15/16"	1 1/2"	2"	2 7/8"	9.00	Y	\$ 692	\$ 1,414



ORE GRIP

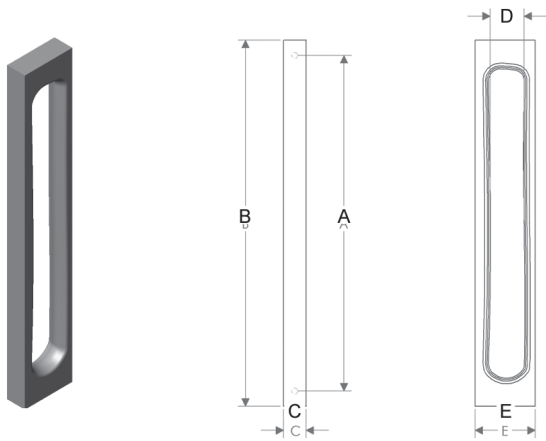
	A	B	C	D	E	F	lbs/ea	♿	Single	Double
G392	7 1/2"	10 3/8"	1 1/8"	1 15/16"	2 7/8"	7/8"	3.00	Y	\$ 493	\$ 1,016
G393	10"	12 3/4"	1 3/16"	1 15/16"	2 15/16"	7/8"	3.75	Y	\$ 493	\$ 1,016
G395	18"	21"	1 3/16"	1 15/16"	2 15/16"	7/8"	4.75	Y	\$ 532	\$ 1,094
G396	24"	27"	1 3/16"	1 15/16"	2 15/16"	7/8"	6.00	Y	\$ 745	\$ 1,520
G399	45"	48"	1 3/16"	1 15/16"	2 15/16"	7/8"	10.25	Y	\$ 1,148	\$ 2,326



- Single grips are thru-bolted.
- Double grips have back-to-back mounting.
- Specify metal, patina, and door thickness.
- Images for each grip may not accurately represent the design of additional sizes available. Please visit our website for more details.

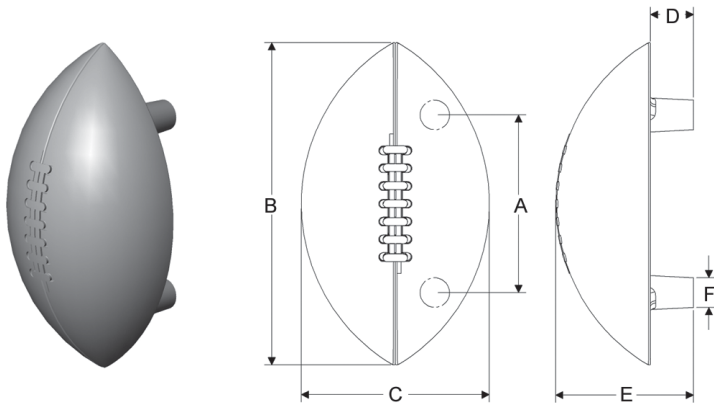
ORGANIC SQUARE GRIP

	A	B	C	D	E	F	lbs/ea	♿	Single	Double
G381	11"	12"	3/4"	11/16"	2"	n/a	2.75	N	\$ 493	\$ 1,016
G380	13"	14"	3/4"	11/16"	2"	n/a	3.00	N	\$ 493	\$ 1,016
G384	23"	24"	1"	15/16"	2 1/4"	n/a	8.50	N	\$ 689	\$ 1,408
G386	35"	36"	1"	15/16"	2 1/4"	n/a	10.75	N	\$1035	\$ 2100



PIG SKIN GRIP

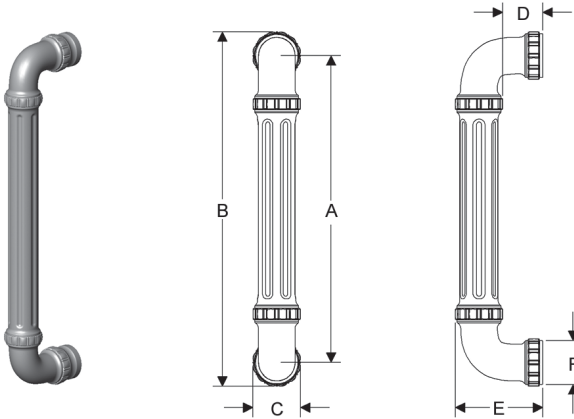
	A	B	C	D	E	F	lbs/ea	♿	Single	Double
G10260	6"	11"	6 3/8"	17/16"	4 11/16"	1"	8.25	N	\$ 745	\$ 1,520



- Single grips are thru-bolted.
- Double grips have back-to-back mounting.
- Specify metal, patina, and door thickness.
- Images for each grip may not accurately represent the design of additional sizes available. Please visit our website for more details.

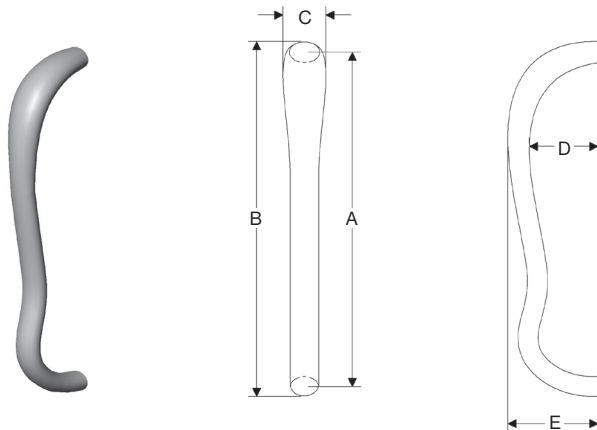
PILLAR GRIP

	A	B	C	D	E	F	lbs/ea	♿	Single	Double
G30168	8"	8 15/16"	15/16"	1 1/8"	2 1/16"	7/8"	1.50	N	\$ 493	\$ 1,016
G30167	8"	9 1/4"	1 1/4"	1 1/16"	2 1/4"	1 1/8"	2.50	N	\$ 493	\$ 1,016



PORTIA GRIP

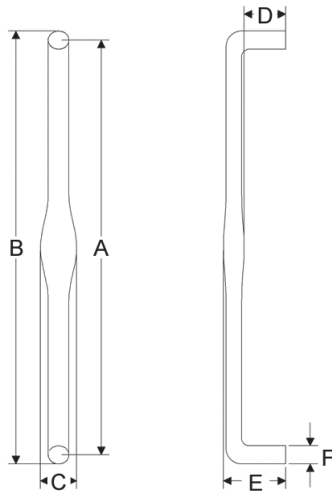
	A	B	C	D	E	F	lbs/ea	♿	Single	Double
G10305	10"	10 5/8"	1 1/4"	2 1/16"	2 11/16"	n/a	2.00	Y	\$ 493	\$ 1,016
G10307	17"	17 13/16"	1 1/2"	2 1/4"	3 1/4"	n/a	4.50	Y	\$ 532	\$ 1,094
G10310	30"	31"	2 1/4"	3 3/8"	4 7/16"	n/a	12.75	Y	\$ 821	\$ 1,672



- Single grips are thru-bolted.
- Double grips have back-to-back mounting.
- Specify metal, patina, and door thickness.
- Images for each grip may not accurately represent the design of additional sizes available. Please visit our website for more details.

PROVENCE GRIP

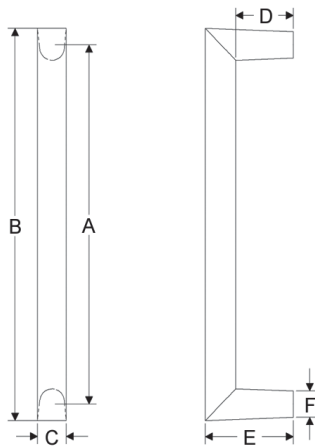
	A	B	C	D	E	F	lbs/ea	♿	Single	Double
G367	10"	10 7/8"	13/4"	2 1/8"	3"	7/8"	3.50	Y	\$ 493	\$ 1,016
G370	14"	14 7/8"	13/4"	2 1/8"	3"	7/8"	4.00	Y	\$ 532	\$ 1,094
G372	20"	20 7/8"	13/4"	2 1/8"	3"	7/8"	5.00	Y	\$ 692	\$ 1,414
G379	84"	85"	17/8"	2 1/8"	3 1/4"	1"	21.00	Y	\$ 2,106	\$ 4,242



- Single grips are thru-bolted.
- Double grips have back-to-back mounting.
- Specify metal, patina, and door thickness.
- Images for each grip may not accurately represent the design of additional sizes available. Please visit our website for more details.

RAIL GRIP

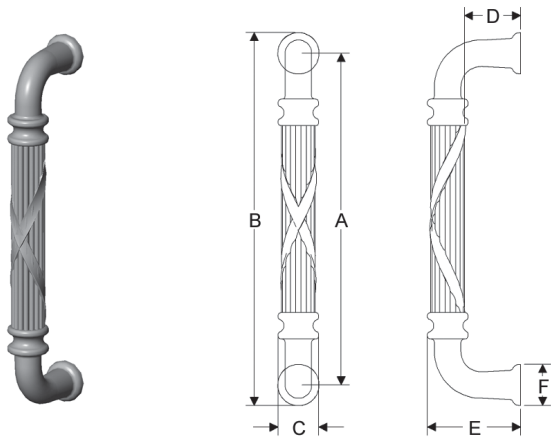
	A	B	C	D	E	F	lbs/ea	♿	Single	Double
G261	7 1/2"	8 5/8"	1"	2"	3 1/16"	7/8"	3.00	Y	\$ 493	\$ 1,016
G284	8"	9 1/8"	1"	2"	3 1/16"	7/8"	3.25	Y	\$ 493	\$ 1,016
G283	10"	11 1/8"	1"	2"	3 1/16"	7/8"	4.00	Y	\$ 493	\$ 1,016
G263	12"	13 1/8"	1"	2"	3 1/16"	7/8"	4.25	Y	\$ 493	\$ 1,016
G264	14"	15 1/8"	1"	2"	3 1/16"	7/8"	4.75	Y	\$ 532	\$ 1,094
G265	16"	17 1/8"	1"	2"	3 1/16"	7/8"	5.25	Y	\$ 532	\$ 1,094
G289	22"	23 1/8"	1"	2"	3 1/16"	7/8"	7.00	Y	\$ 689	\$ 1,408
G268	24"	25 1/8"	1"	2"	3 1/16"	7/8"	7.00	Y	\$ 689	\$ 1,408
G266	30"	31 1/8"	1"	2"	3 1/16"	7/8"	9.00	Y	\$ 821	\$ 1,672
G269	32"	33 1/8"	1"	2"	3 1/16"	7/8"	9.25	Y	\$ 821	\$ 1,672
G267	36"	37 1/8"	1"	2"	3 1/16"	7/8"	10.00	Y	\$ 821	\$ 1,672
G285	48"	49 1/8"	1"	2"	3 1/16"	7/8"	14.00	Y	\$ 1,148	\$ 2,326
G286	60"	61 1/2"	1"	2"	3 1/4"	1 1/16"	18.00	Y	\$ 1,796	\$ 3,622
G287	72"	73 1/2"	1 1/4"	2"	3 3/8"	13/16"	33.00	Y	\$ 1,966	\$ 3,962
G288	82 13/16"	84 1/4"	1 1/4"	2"	3 3/8"	13/16"	34.00	Y	\$ 2,106	\$ 4,242



- Single grips are thru-bolted.
- Double grips have back-to-back mounting.
- Specify metal, patina, and door thickness.
- Images for each grip may not accurately represent the design of additional sizes available. Please visit our website for more details.

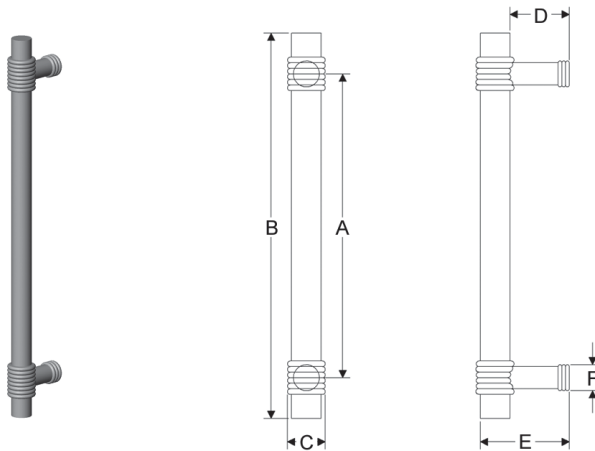
RIBBON & REED GRIP

	A	B	C	D	E	F	lbs/ea	♿	Single	Double
G626	7"	7 15/16"	15/16"	15/8"	2 9/16"	15/16"	1.75	Y	\$ 493	\$ 1,016
G622	10"	11 5/16"	1 1/4"	1 11/16"	2 13/16"	1 1/4"	3.00	Y	\$ 493	\$ 1,016
G658	18"	19 3/8"	1 3/8"	2"	3 5/16"	1 3/8"	6.50	Y	\$ 532	\$ 1,094
G655	24"	25 3/8"	1 5/16"	2 1/16"	3 5/16"	1 3/8"	8.50	Y	\$ 745	\$ 1,520



RING GRIP

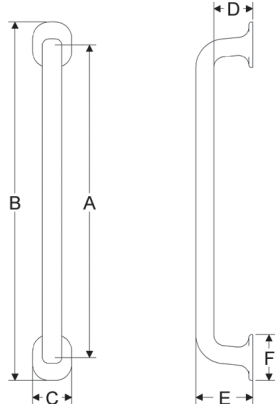
	A	B	C	D	E	F	lbs/ea	♿	Single	Double
G625	10 1/4"	13"	1 1/4"	2"	3 1/8"	7/8"	3.50	Y	\$ 493	\$ 1,016
G633	19 1/2"	24"	1 3/4"	2 1/4"	3 3/4"	1 3/8"	11.50	Y	\$ 1,192	\$ 2,414



- Single grips are thru-bolted.
- Double grips have back-to-back mounting.
- Specify metal, patina, and door thickness.
- Images for each grip may not accurately represent the design of additional sizes available. Please visit our website for more details.

SASH GRIP

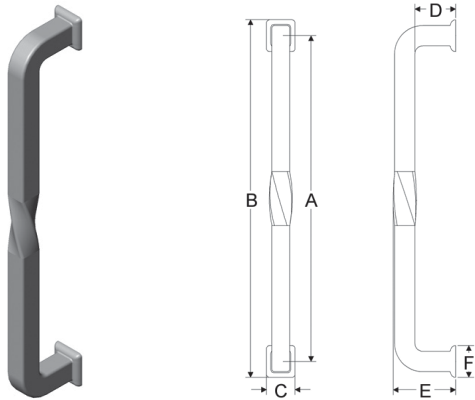
	A	B	C	D	E	F	lbs/ea	♿	Single	Double
G615	6"	8"	113/16"	2 5/16"	3 1/16"	2"	1.50	Y	\$ 493	n/a
G611	8"	9 3/4"	1 1/2"	1 1/2"	2 1/8"	1 3/4"	1.75	Y	\$ 493	\$ 1,016
G612	12"	13 3/4"	1 1/2"	1 1/2"	2 1/8"	1 3/4"	2.00	Y	\$ 493	\$ 1,016
G617	12"	14 1/8"	113/16"	2 1/8"	3 3/16"	2 1/8"	4.75	Y	\$ 493	\$ 1,016
G680	16"	18 1/8"	113/16"	2 1/8"	3 3/16"	2 1/8"	5.75	Y	\$ 532	\$ 1,094
G639	18"	19 3/4"	1 1/2"	1 1/2"	2 1/8"	1 3/4"	2.75	Y	\$ 532	n/a
G632	24"	25 3/4"	1 3/4"	2 1/4"	3 5/16"	1 3/4"	8.50	Y	\$ 692	\$ 1,414
G634	31"	32 3/4"	1 3/4"	2 3/16"	3 5/16"	1 3/4"	11.50	Y	\$ 821	\$ 1,672



- Single grips are thru-bolted.
- Double grips have back-to-back mounting.
- Specify metal, patina, and door thickness.
- Images for each grip may not accurately represent the design of additional sizes available. Please visit our website for more details.

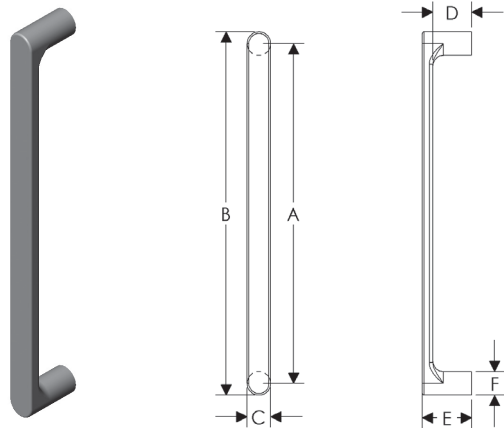
SASH TWIST GRIP

	A	B	C	D	E	F	lbs/ea	♿	Single	Double
G669	16"	17 9/16"	13/8"	2"	3 1/16"	19/16"	5.25	Y	\$ 532	\$ 1,094
G668	24"	25 9/16"	13/8"	13/4"	2 3/4"	19/16"	5.50	Y	\$ 888	\$ 1,806



SEDONA GRIP

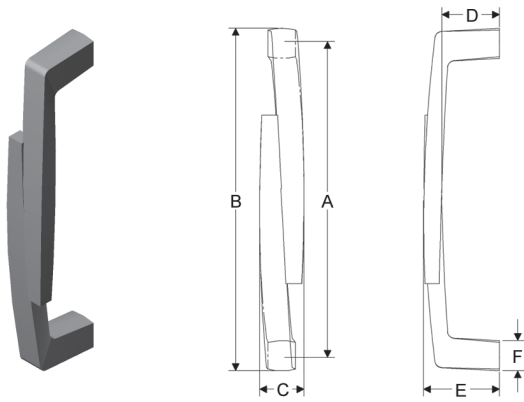
	A	B	C	D	E	F	lbs/ea	♿	Single	Double
G10704	12 1/8"	13"	7/8"	1 3/8"	1 3/4"	7/8"	1.75	N	\$ 493	\$ 1,016
G10707	17 1/4"	18 1/8"	7/8"	1 3/8"	1 3/4"	7/8"	2.25	N	\$ 532	\$ 1,094
G10710	36"	36 13/16"	1 3/16"	1 3/8"	1 7/8"	13/16"	5.00	N	\$ 821	\$ 1,672
G10711	42"	42 13/16"	1 3/16"	1 3/8"	1 7/8"	13/16"	5.75	N	\$ 1019	\$ 2,068



- Single grips are thru-bolted.
- Double grips have back-to-back mounting.
- Specify metal, patina, and door thickness.
- Images for each grip may not accurately represent the design of additional sizes available. Please visit our website for more details.

SHIFT GRIP, TED BOERNER COLLECTION

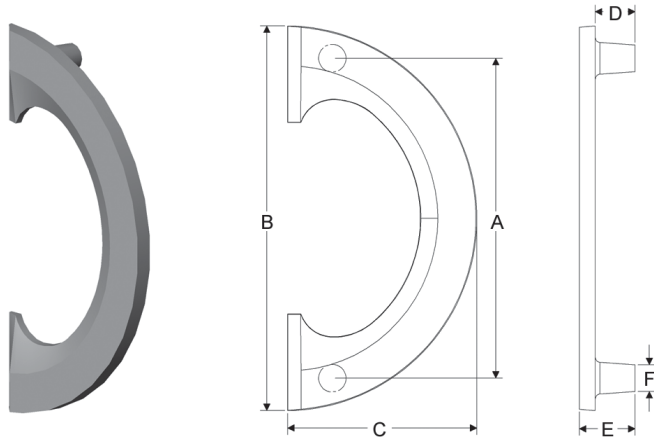
	A	B	C	D	E	F	lbs/ea	♿	Single	Double
G20010	11 1/8"	12 1/16"	19/16"	2 1/16"	2 11/16"	11/16"	3.75	Y	\$ 543	\$ 1,116



- Single grips are thru-bolted.
- Double grips have back-to-back mounting.
- Specify metal, patina, and door thickness.
- Images for each grip may not accurately represent the design of additional sizes available. Please visit our website for more details.

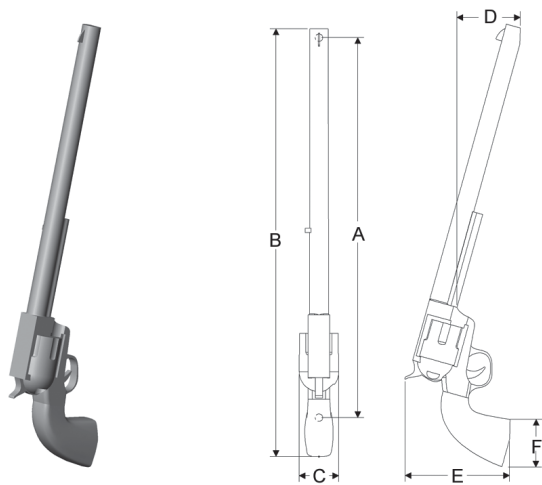
SICKLE GRIP

	A	B	C	D	E	F	lbs/ea	♿	Single	Double
G10112	12"	14 3/8"	7 1/8"	1 1/2"	2 1/8"	1"	6.00	Y	\$ 692	\$ 1,414
G10113	15 1/2"	18 15/16"	9 3/8"	1 3/4"	2 9/16"	1 7/8"	17.75	Y	\$ 1,119	\$ 2,268



SIX SHOOTER GRIP

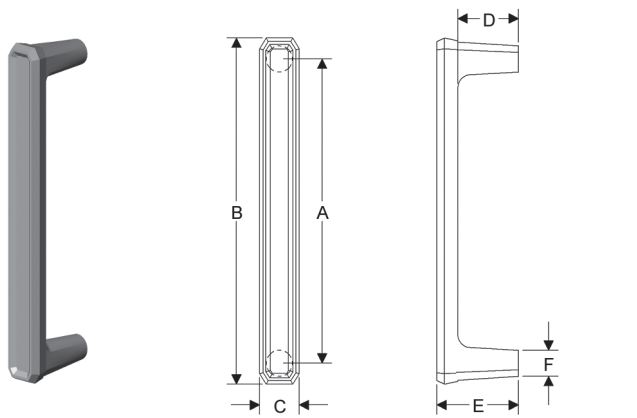
	A	B	C	D	E	F	lbs/ea	♿	Single	Double
G10261	16 3/8"	17 3/4"	15/8"	2 3/8"	4 1/2"	2"	5.50	N	\$ 532	n/a



- Single grips are thru-bolted.
- Double grips have back-to-back mounting.
- Specify metal, patina, and door thickness.
- Images for each grip may not accurately represent the design of additional sizes available. Please visit our website for more details.

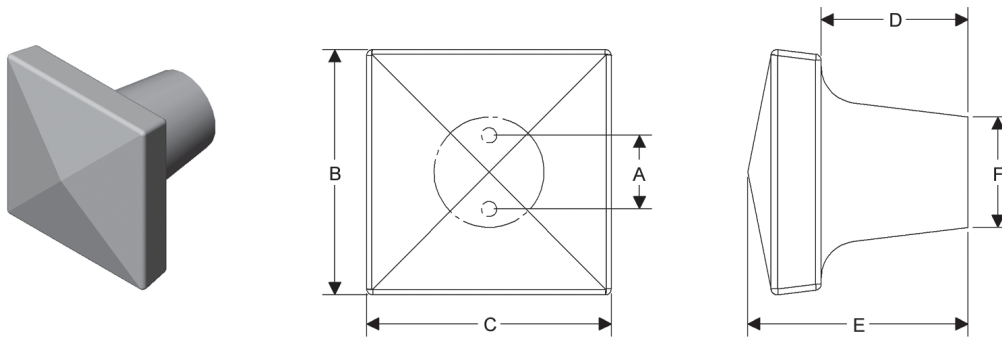
SMITH GRIP

	A	B	C	D	E	F	lbs/ea	♿	Single	Double
G30147	7 1/2"	8 7/8"	15/16"	2"	2 11/16"	7/8"	2.75	Y	\$ 493	\$ 1,016
G30148	10"	11 3/8"	15/16"	2"	2 11/16"	7/8"	3.25	Y	\$ 493	\$ 1,016
G30150	26"	27 3/8"	15/16"	2"	2 11/16"	7/8"	7.00	Y	\$ 689	\$ 1,408



SQUARE PULL

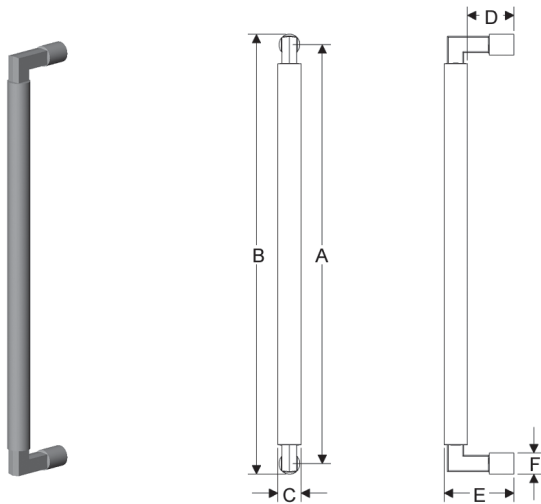
	A	B	C	D	E	F	lbs/ea	♿	Single	Double
G679	1 1/2"	5"	5"	3"	4 1/2"	2 1/4"	13.75	N	\$ 939	\$ 1,908



- Single grips are thru-bolted.
- Double grips have back-to-back mounting.
- Specify metal, patina, and door thickness.
- Images for each grip may not accurately represent the design of additional sizes available. Please visit our website for more details.

STALK GRIP

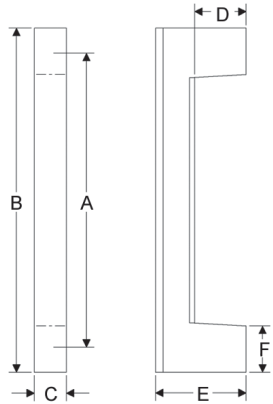
	A	B	C	D	E	F	lbs/ea	♿	Single	Double
G353	18"	18 7/8"	1"	2"	3"	7/8"	5.00	Y	\$ 532	\$ 1,094
G355	31 1/8"	32"	1"	2"	3"	7/8"	8.00	Y	\$ 821	\$ 1,672
G358	56"	56 7/8"	1"	2"	3"	7/8"	14.00	Y	\$ 1,796	\$ 3,622
G359	60"	61 1/8"	1 1/4"	2"	3 1/4"	1 1/8"	23.00	Y	\$ 2,101	\$ 4,232
G360	72"	73 1/8"	1 1/4"	2"	3 1/4"	1 1/8"	28.00	Y	\$ 2,258	\$ 4,546



- Single grips are thru-bolted.
- Double grips have back-to-back mounting.
- Specify metal, patina, and door thickness.
- Images for each grip may not accurately represent the design of additional sizes available. Please visit our website for more details.

STAPLE GRIP

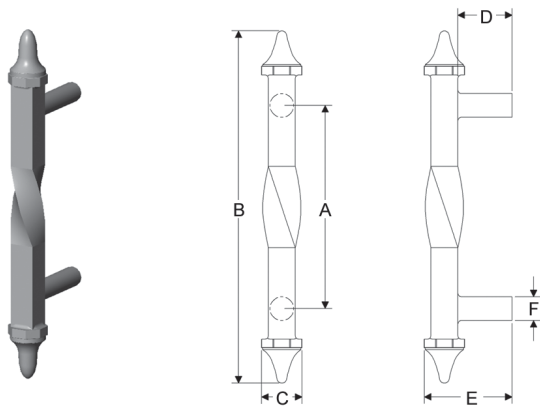
	A	B	C	D	E	F	lbs/ea	♿	Single	Double
G10221	9 1/2"	11 1/8"	11/16"	15/8"	3"	11/2"	5.75	Y	\$ 493	\$ 1,016
G10225	20 1/2"	22"	11/16"	15/8"	3"	11/2"	9.75	Y	\$ 745	\$ 1,520



- Single grips are thru-bolted.
- Double grips have back-to-back mounting.
- Specify metal, patina, and door thickness.
- Images for each grip may not accurately represent the design of additional sizes available. Please visit our website for more details.

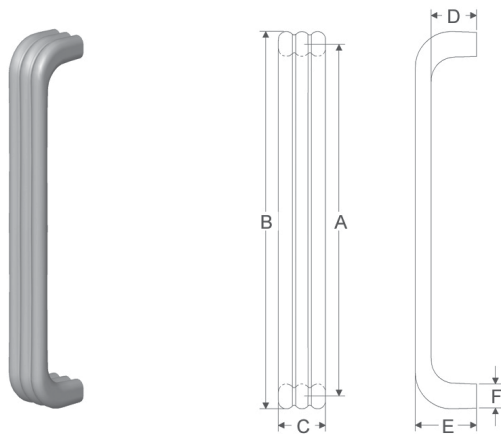
STEEPLE TWIST GRIP

	A	B	C	D	E	F	lbs/ea	♿	Single	Double
G621	4 15/16"	9 5/16"	15/16"	1 3/4"	2 1/2"	1/2"	1.25	Y	\$ 493	n/a
G750	7 1/2"	13"	1 1/2"	2"	3 1/4"	7/8"	4.50	Y	\$ 493	\$ 1,016
G623	12"	20"	1 13/16"	2"	3 1/2"	15/16"	9.00	Y	\$ 698	\$ 1,426
G656	18 7/8"	26 7/8"	1 13/16"	2"	3 9/16"	15/16"	13.00	Y	\$ 1,050	\$ 2,130



STREAM GRIP

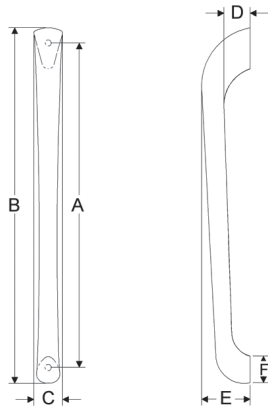
	A	B	C	D	E	F	lbs/ea	♿	Single	Double
G10133	14 11/16"	15 3/4"	2"	1 7/8"	2 9/16"	1"	7.00	Y	\$ 689	\$ 1,408



- Single grips are thru-bolted.
- Double grips have back-to-back mounting.
- Specify metal, patina, and door thickness.
- Images for each grip may not accurately represent the design of additional sizes available. Please visit our website for more details.

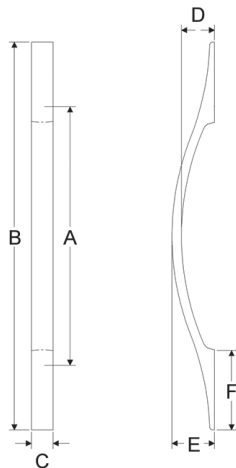
SUBWAY GRIP

	A	B	C	D	E	F	lbs/ea	♿	Single	Double
G10154	20"	21 7/8"	13/4"	15/8"	3"	15/8"	9.00	Y	\$ 745	\$ 1,520



SUMMIT GRIP

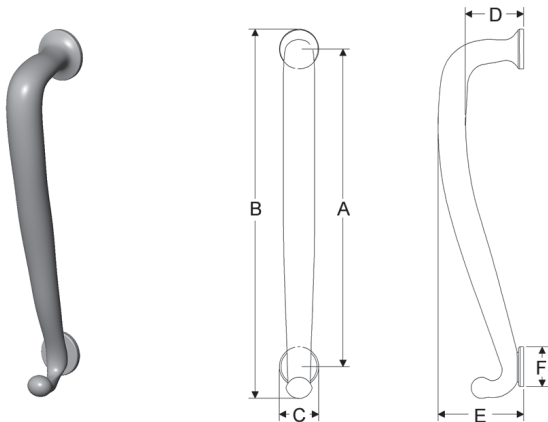
	A	B	C	D	E	F	lbs/ea	♿	Single	Double
G280	12"	18"	1"	19/16"	1 15/16"	3 11/16"	2.50	Y	\$ 532	n/a
G281	16"	22"	1"	19/16"	1 15/16"	3 11/16"	2.75	Y	\$ 692	n/a



- Single grips are thru-bolted.
- Double grips have back-to-back mounting.
- Specify metal, patina, and door thickness.
- Images for each grip may not accurately represent the design of additional sizes available. Please visit our website for more details.

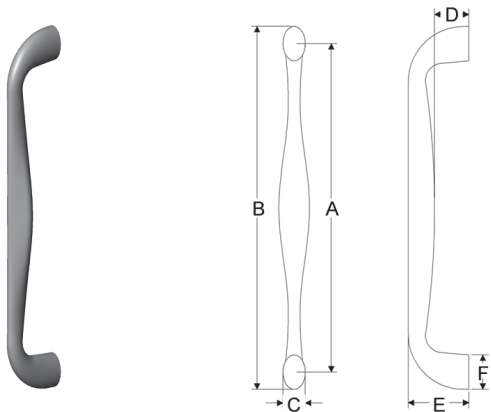
SUN VALLEY GRIP

	A	B	C	D	E	F	lbs/ea	♿	Single	Double
G606	7 1/2"	9"	15/8"	115/16"	2 15/16"	15/16"	2.25	Y	\$ 493	\$ 1,016
G607	10"	11 3/8"	15/8"	115/16"	2 15/16"	1 3/8"	3.25	Y	\$ 493	\$ 1,016
G624	12"	13 15/16"	1 1/2"	2 1/4"	3 1/4"	1 1/2"	3.75	Y	\$ 532	\$ 1,094



SWAN GRIP

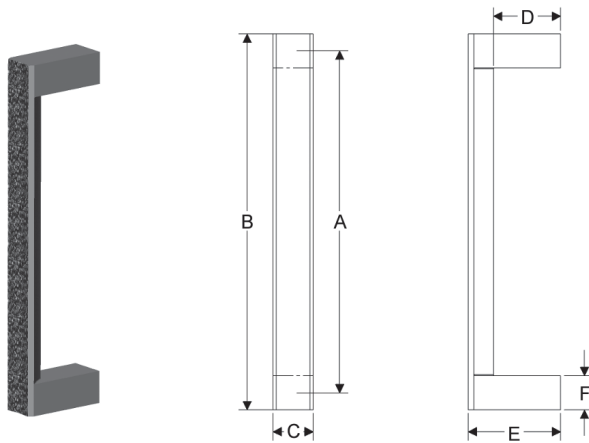
	A	B	C	D	E	F	lbs/ea	♿	Single	Double
G10143	14 5/16"	15 13/16"	15/16"	1 1/2"	2 5/8"	1 1/2"	3.50	Y	\$ 532	\$ 1,094
G10145	20 1/2"	22"	1 1/2"	1 1/2"	2 5/8"	1 1/2"	5.50	Y	\$ 689	\$ 1,408



- Single grips are thru-bolted.
- Double grips have back-to-back mounting.
- Specify metal, patina, and door thickness.
- Images for each grip may not accurately represent the design of additional sizes available. Please visit our website for more details.

TROUSDALE GRIP, *KRAVITZ DESIGN*

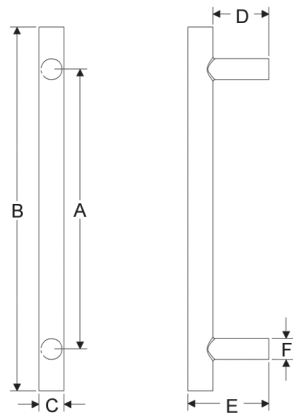
	A	B	C	D	E	F	lbs/ea	♿	Single	Double
G30301	7 1/2"	8 1/2"	13/16"	2"	2 3/4"	1"	3.00	Y	\$ 493	\$ 1,016
G30302	10"	11"	13/16"	2"	2 3/4"	1"	3.50	Y	\$ 493	\$ 1,016
G30303	12"	13"	13/16"	2"	2 3/4"	1"	3.75	Y	\$ 493	\$ 1,016
G30304	18"	19"	13/16"	2"	2 3/4"	1"	5.00	Y	\$ 532	\$ 1,094
G30307	24"	25"	13/16"	2"	2 3/4"	1"	6.00	Y	\$ 745	\$ 1,520
G30308	36"	37"	13/16"	2"	2 3/4"	1"	8.00	Y	\$ 821	\$ 1,672



- Single grips are thru-bolted.
- Double grips have back-to-back mounting.
- Specify metal, patina, and door thickness.
- Images for each grip may not accurately represent the design of additional sizes available. Please visit our website for more details.

TUBE GRIP

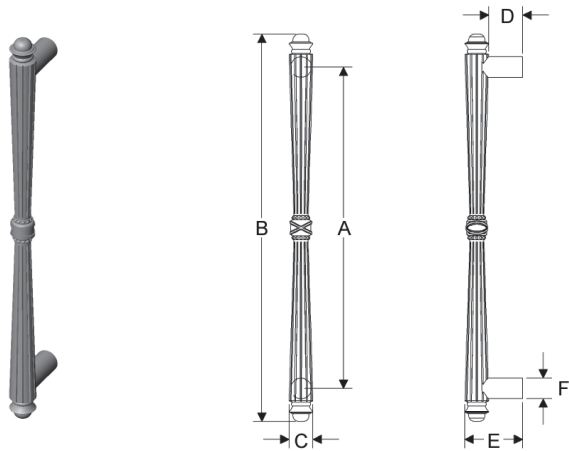
	A	B	C	D	E	F	lbs/ea	♿	Single	Double
G270	8"	11"	7/8"	2"	2 7/8"	3/4"	2.50	Y	\$ 493	\$ 1,016
G271	10"	13"	7/8"	2"	2 7/8"	3/4"	3.00	Y	\$ 493	\$ 1,016
G282	12"	15"	7/8"	2"	2 7/8"	3/4"	3.50	Y	\$ 493	\$ 1,016
G272	14"	17"	7/8"	2"	2 7/8"	3/4"	3.75	Y	\$ 533	\$ 1,096
G273	16"	19"	7/8"	2"	2 7/8"	3/4"	4.00	Y	\$ 533	\$ 1,096
G296	18"	21"	7/8"	2"	2 7/8"	3/4"	4.75	Y	\$ 533	\$ 1,096
G279	20"	24"	7/8"	2"	2 7/8"	3/4"	5.25	Y	\$ 689	\$ 1,408
G274	24"	27"	7/8"	2"	2 7/8"	3/4"	5.75	Y	\$ 689	\$ 1,408
G275	32"	35"	7/8"	2"	2 7/8"	3/4"	7.25	Y	\$ 821	\$ 1,672
G276	36"	42"	7/8"	2"	2 7/8"	3/4"	8.50	Y	\$ 821	\$ 1,672
G277	36"	54"	7/8"	2"	2 7/8"	3/4"	11.00	Y	\$ 823	\$ 1,676
G278	36"	66"	7/8"	2"	2 7/8"	3/4"	13.25	Y	\$ 999	\$ 2,028



- Single grips are thru-bolted.
- Double grips have back-to-back mounting.
- Specify metal, patina, and door thickness.
- Images for each grip may not accurately represent the design of additional sizes available. Please visit our website for more details.

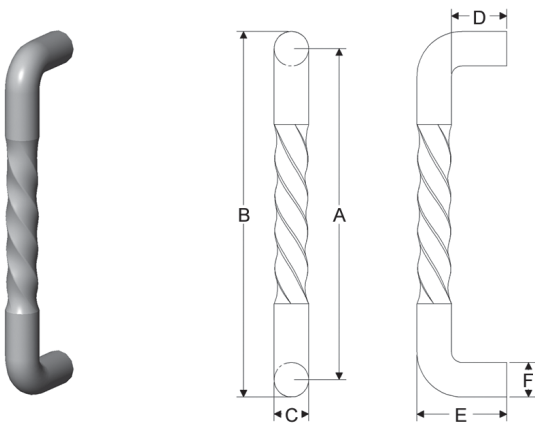
TUXEDO GRIP

	A	B	C	D	E	F	lbs/ea	♿	Single	Double
G599	14"	16 7/8"	11/16"	1 1/2"	2 1/2"	7/8"	3.25	Y	\$ 713	\$ 1,456



TWISTED D GRIP

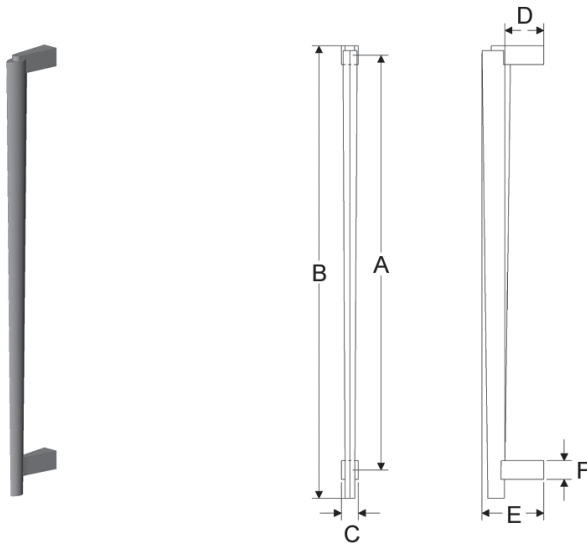
	A	B	C	D	E	F	lbs/ea	♿	Single	Double
G605	8"	9"	1"	2"	3"	1"	3.00	Y	\$ 493	\$ 1,016
G620	12"	13 1/4"	1 1/4"	2"	3 1/4"	1 1/4"	5.50	Y	\$ 532	\$ 1,094
G676	16"	17 1/4"	1 1/4"	2 1/4"	3 1/2"	1 1/4"	7.00	Y	\$ 532	\$ 1,094
G678	22"	23 1/4"	1 1/4"	2 1/4"	3 1/2"	1 1/4"	8.50	Y	\$ 689	\$ 1,408
G677	33"	34 1/4"	1 1/4"	2 1/4"	3 1/2"	1 1/4"	13.00	Y	\$ 821	\$ 1,672



- Single grips are thru-bolted.
- Double grips have back-to-back mounting.
- Specify metal, patina, and door thickness.
- Images for each grip may not accurately represent the design of additional sizes available. Please visit our website for more details.

VERDURA GRIP, HOK PRODUCT DESIGN

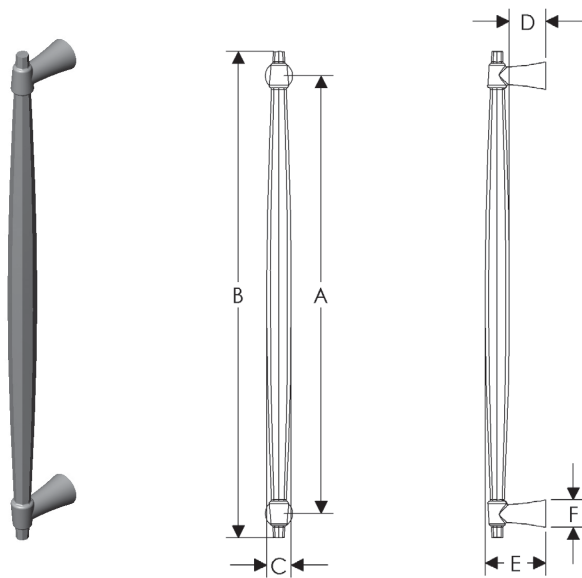
	A	B	C	D	E	F	lbs/ea	♿	Single	Double
G10516	7"	9"	7/8"	2 1/16"	3 1/4"	1"	2.50	Y	\$ 493	\$ 1,016
G10521	13"	15"	7/8"	2 1/16"	3 1/4"	1"	3.25	Y	\$ 532	\$ 1,094
G10523	18"	20"	7/8"	2 1/16"	3 1/4"	1"	4.00	Y	\$ 532	\$ 1,094
G10525	22"	24"	7/8"	2 1/16"	3 1/4"	1"	4.50	Y	\$ 745	\$ 1,520
G10526	28"	30"	7/8"	2 1/16"	3 1/4"	1"	6.00	Y	\$ 821	\$ 1,672
G10528	34"	36"	7/8"	2 1/16"	3 1/4"	1"	6.50	Y	\$ 821	\$ 1,672
G10529	46"	48"	7/8"	2 1/16"	3 1/4"	1"	9.50	Y	\$ 1,019	\$ 2,068
G10531	58"	60"	7/8"	2 1/16"	3 1/4"	1"	10.50	Y	\$ 1,796	\$ 3,622



- Single grips are thru-bolted.
- Double grips have back-to-back mounting.
- Specify metal, patina, and door thickness.
- Images for each grip may not accurately represent the design of additional sizes available. Please visit our website for more details.

ZEPPELIN GRIP, *ROGER THOMAS COLLECTION*

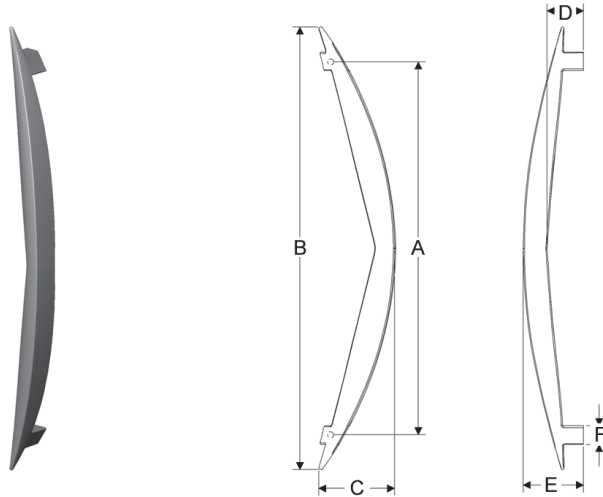
	A	B	C	D	E	F	lbs/ea	♿	Single	Double
G10042	12"	14"	1"	1 1/2"	2 1/2"	1 1/8"	2.75	Y	\$ 493	\$ 1,016
G10044	18"	20"	1"	1 1/2"	2 1/2"	1 1/8"	3.50	Y	\$ 532	\$ 1,094
G10046	28"	30"	1"	1 1/2"	2 1/2"	1 1/8"	5.00	Y	\$ 821	\$ 1,672



- Single grips are thru-bolted.
- Double grips have back-to-back mounting.
- Specify metal, patina, and door thickness.
- Images for each grip may not accurately represent the design of additional sizes available. Please visit our website for more details.

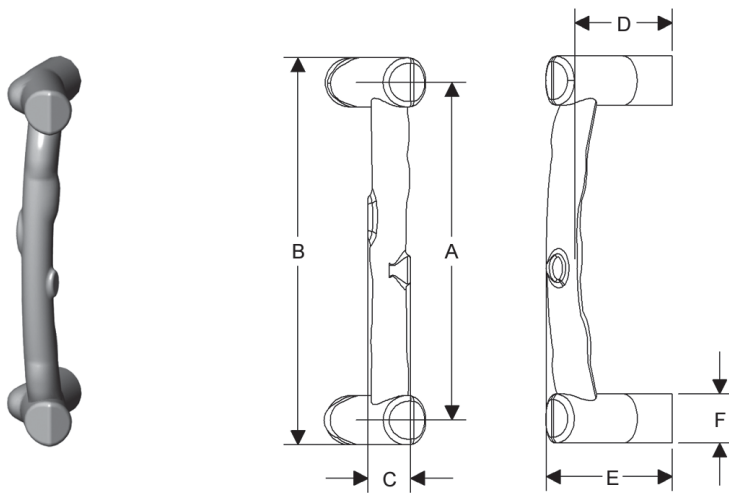
OFFSET ARC GRIP

	A	B	C	D	E	F	lbs/ea	♿	Single	Double
G10194	19 3/8"	23"	4"	17/8"	3 1/8"	7/8"	7.25	Y	\$ 745	\$ 1,520



OFFSET BRANCH GRIP

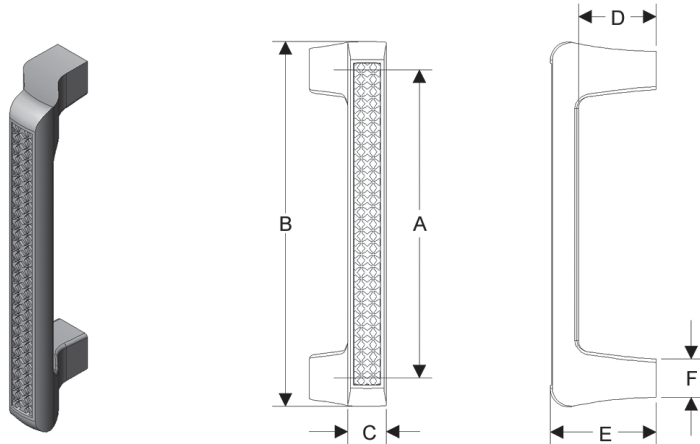
	A	B	C	D	E	F	lbs/ea	♿	Single	Double
SDT6	6"	6 7/8"	11/16"	13/4"	2 1/4"	7/8"	1.50	Y	\$ 154	\$ 338



- Single grips are thru-bolted.
- Double grips have back-to-back mounting.
- Specify metal, patina, and door thickness.
- Images for each grip may not accurately represent the design of additional sizes available. Please visit our website for more details.

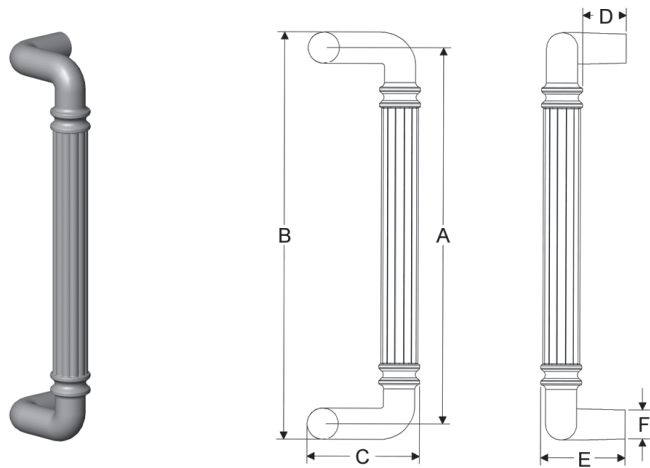
OFFSET BRIGGS GRIP

	A	B	C	D	E	F	lbs/ea	♿	Single	Double
G10810	6"	7 1/16"	3/4"	1 1/2"	2 1/16"	3/4"	1.50	Y	\$ 154	\$ 338



OFFSET COLONNADE GRIP

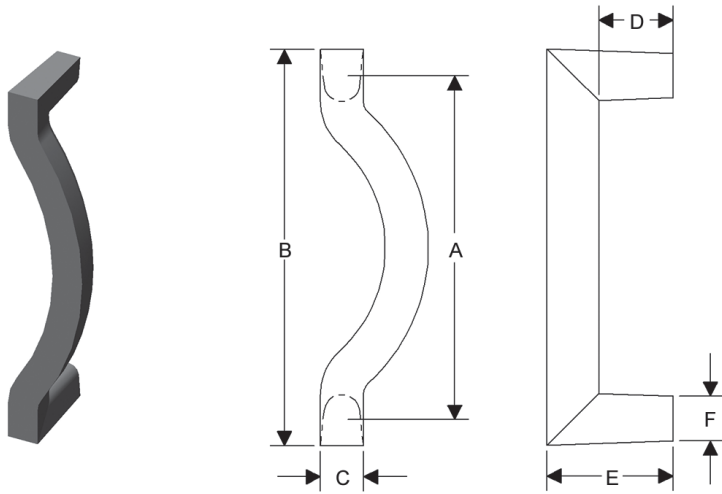
	A	B	C	D	E	F	lbs/ea	♿	Single	Double
G10253	12 7/8"	14"	3 7/8"	1 1/2"	2 7/8"	1"	6.75	Y	\$ 532	\$ 1,094



- Single grips are thru-bolted.
- Double grips have back-to-back mounting.
- Specify metal, patina, and door thickness.
- Images for each grip may not accurately represent the design of additional sizes available. Please visit our website for more details.

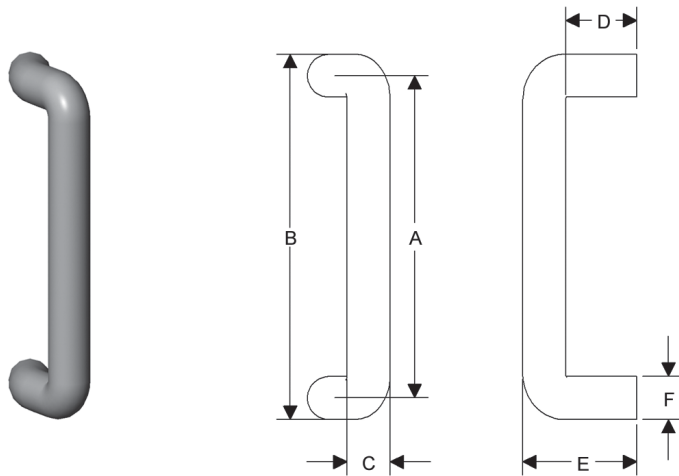
OFFSET CURVED RAIL GRIP

	A	B	C	D	E	F	lbs/ea	♿	Single	Double
G260	6"	6 7/8"	3/4"	15/16"	2 3/16"	3/4"	1.50	N	\$ 154	\$ 338
G259	8 1/16"	9"	3/4"	15/16"	2 3/16"	3/4"	2.00	N	\$ 493	\$ 1,016



OFFSET D GRIP

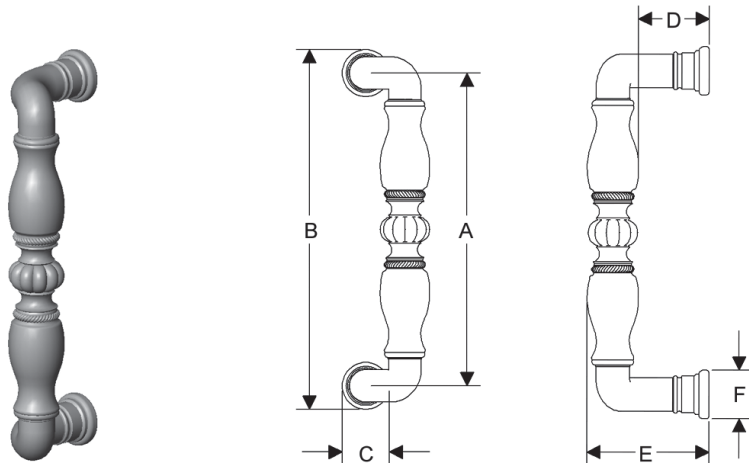
	A	B	C	D	E	F	lbs/ea	♿	Single	Double
SDP6	6"	6 13/16"	13/16"	15/16"	2 1/8"	13/16"	1.50	N	\$ 154	\$ 338



- Single grips are thru-bolted.
- Double grips have back-to-back mounting.
- Specify metal, patina, and door thickness.
- Images for each grip may not accurately represent the design of additional sizes available. Please visit our website for more details.

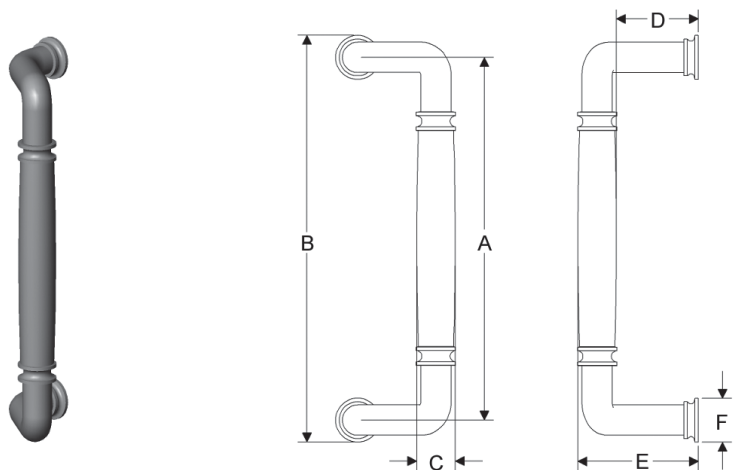
OFFSET ELLIS GRIP

	A	B	C	D	E	F	lbs/ea	♿	Single	Double
G059	6"	6 5/8"	7/8"	13/8"	2 5/16"	7/8"	1.25	N	\$ 154	n/a



OFFSET MADDOX GRIP

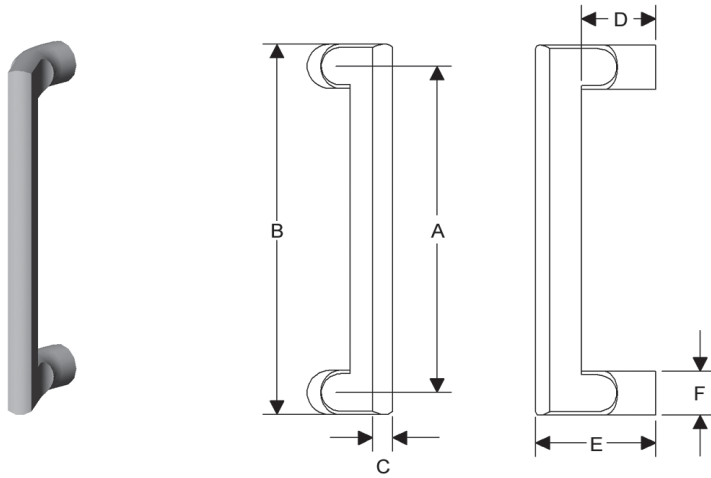
	A	B	C	D	E	F	lbs/ea	♿	Single	Double
G587	7 1/2"	8 5/8"	1"	2"	3"	1 1/8"	2.50	Y	\$ 493	\$ 1,016
G588	10"	11 3/16"	11/16"	2 1/4"	3 5/16"	13/16"	3.50	Y	\$ 493	\$ 1,016



- Single grips are thru-bolted.
- Double grips have back-to-back mounting.
- Specify metal, patina, and door thickness.
- Images for each grip may not accurately represent the design of additional sizes available. Please visit our website for more details.

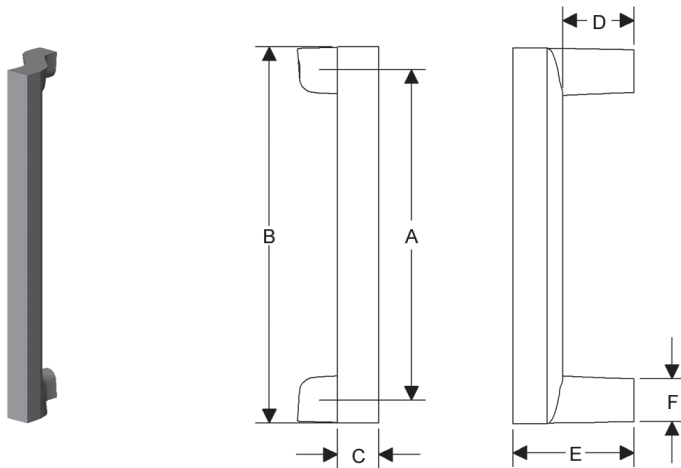
OFFSET OLYMPUS GRIP

	A	B	C	D	E	F	lbs/ea	♿	Single	Double
G645	6"	6 13/16"	7/16"	15/16"	2 1/8"	13/16"	1.25	N	\$ 154	\$ 338
G661	22 7/8"	24"	3/4"	2"	3 1/8"	1 1/8"	7.00	Y	\$ 689	\$ 1,408



OFFSET RAIL GRIP

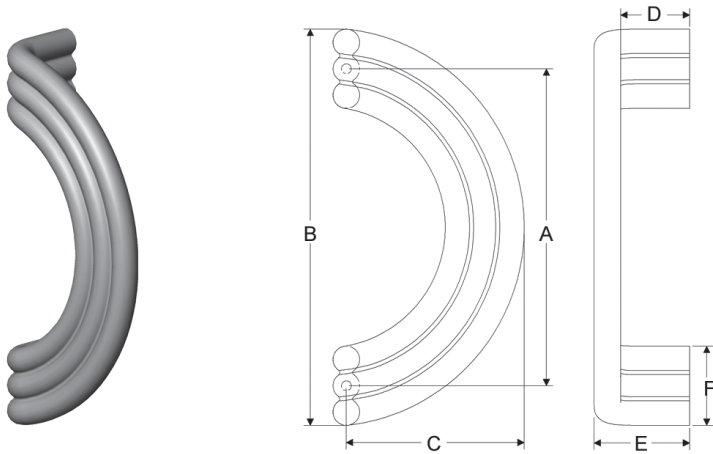
	A	B	C	D	E	F	lbs/ea	♿	Single	Double
G258	6"	6 13/16"	3/4"	15/16"	2 3/16"	3/4"	1.50	N	\$ 154	\$ 338
G257	12"	12 13/16"	1"	2"	3 1/16"	1"	4.50	Y	\$ 493	\$ 1,016
G262	24"	24 13/16"	1"	2"	3 1/16"	1"	7.75	Y	\$ 689	\$ 1,408



- Single grips are thru-bolted.
- Double grips have back-to-back mounting.
- Specify metal, patina, and door thickness.
- Images for each grip may not accurately represent the design of additional sizes available. Please visit our website for more details.

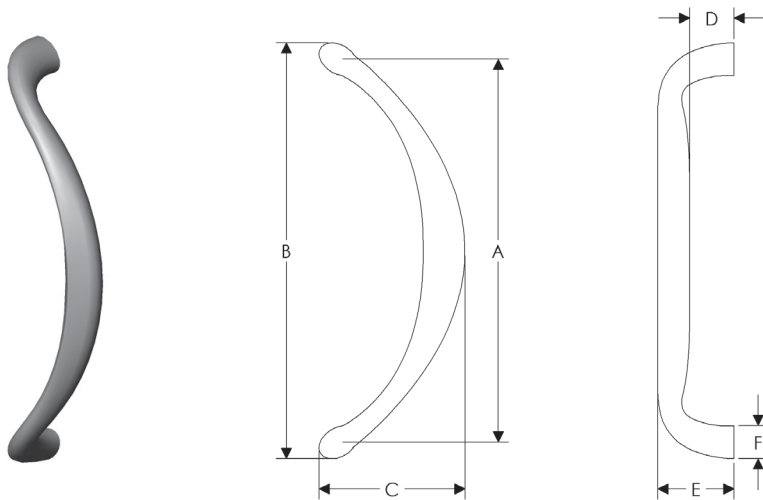
OFFSET STREAM GRIP

	A	B	C	D	E	F	lbs/ea	♿	Single	Double
G10122	12"	15"	7 1/4"	2 5/8"	3 5/8"	3"	16.75	Y	\$ 1,119	\$ 2,268



OFFSET SWAN GRIP

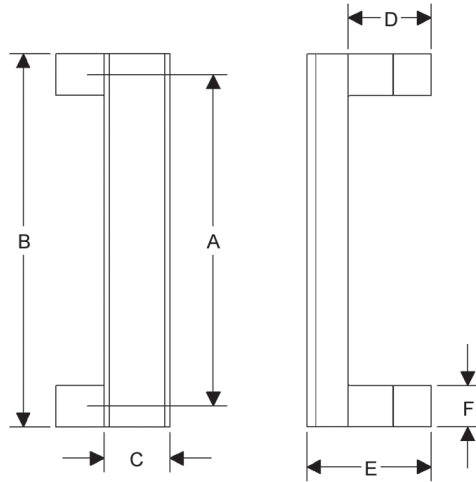
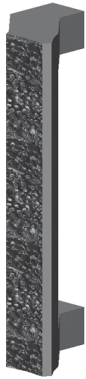
	A	B	C	D	E	F	lbs/ea	♿	Single	Double
G10128	13 13/16"	15"	5 1/4"	19/16"	2 3/4"	1 1/8"	5.00	Y	\$ 692	\$ 1,414



- Single grips are thru-bolted.
- Double grips have back-to-back mounting.
- Specify metal, patina, and door thickness.
- Images for each grip may not accurately represent the design of additional sizes available. Please visit our website for more details.

OFFSET TROUSDALE GRIP, *KRAVITZ DESIGN*

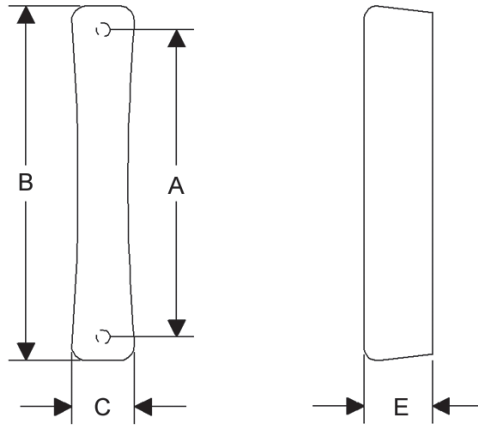
	A	B	C	D	E	F	lbs/ea	♿	Single	Double
G30300	6"	6 3/4"	13/16"	1 1/2"	2 1/4"	3/4"	2.00	Y	\$ 154	\$ 338



- Single grips are thru-bolted.
- Double grips have back-to-back mounting.
- Specify metal, patina, and door thickness.
- Images for each grip may not accurately represent the design of additional sizes available. Please visit our website for more details.

LOW-PROJECTION SLIDING DOOR GRIP

	A	B	C	D	E	F	lbs/ea	♿	Single	Double
G830	4 1/2"	5 3/16"	15/16"	n/a	1"	n/a	1.00	N	\$ 154	n/a

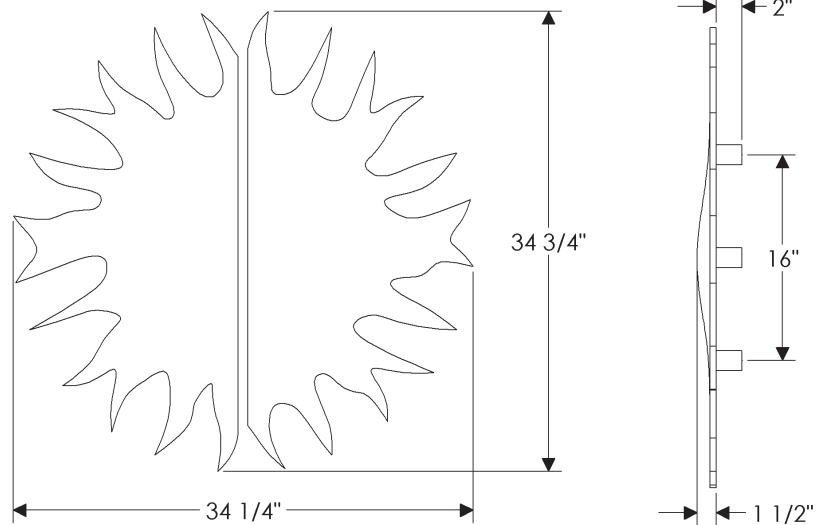


- Specify metal, patina, and door thickness.
- Not available for back-to-back mounting.

SUN PULL

G2636 Sun Pull \$ 11,041

Note: Not available for back-to-back mounting.



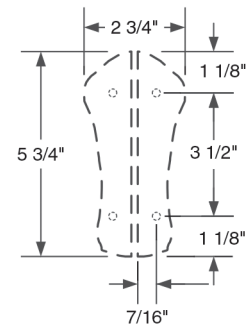
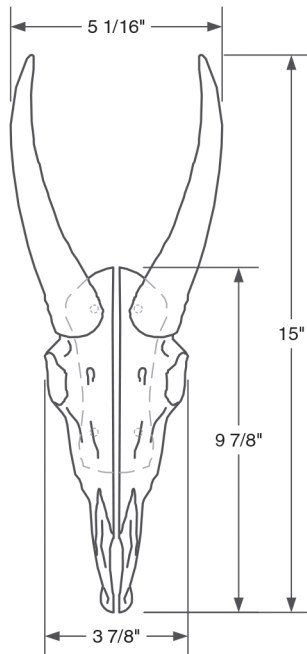
- Specify metal, patina, and door thickness.
- Not available for back-to-back mounting.

GOAT SKULL PULL

G900 Goat Skull Pull . . . \$ 2,730

Note: Not available for back-to-back mounting. Specify split or full.

Weight 15.00 lbs

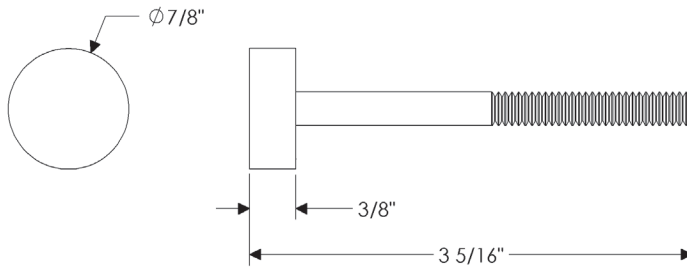
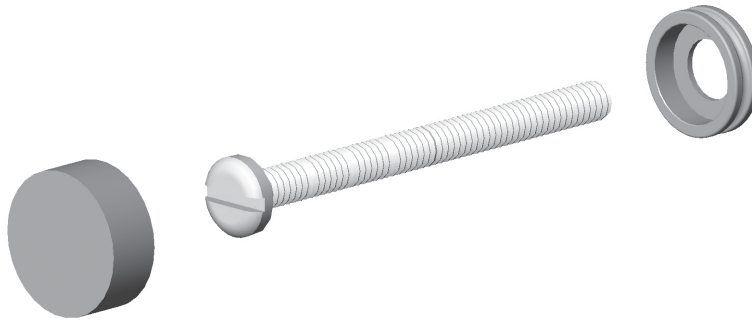


- Specify metal, patina, and door thickness.




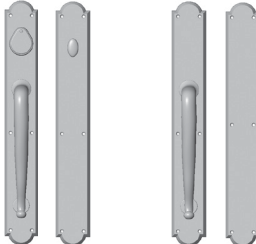
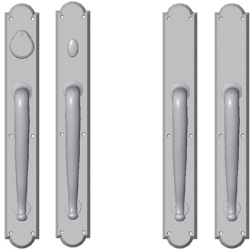
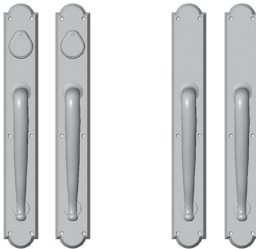
THRU-BOLT SCREW CAP

TBCAP1 Thru-Bolt Screw Cap
7/8" Diameter..... \$68.00


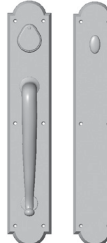

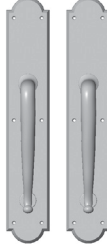

- Thru-Bolt included




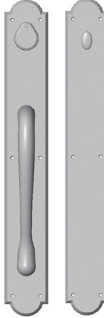
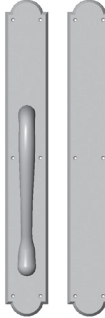

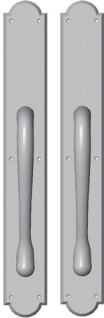
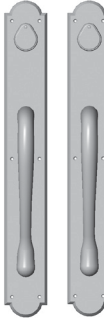

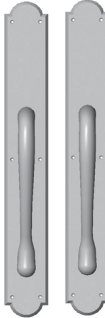

- Combinations below are shown with G607 10" Sun Valley Grip. Call RMH for pricing and compatibility of other grips.
- Specify metal, patina, backset, door thickness, and lock type.
- Refer to Section B for Escutcheon Specifications.

ACTIVE	DUMMY	ACTIVE	DUMMY	ESCUTCHEON OPTIONS
A	 E780 E780	B	 E707 E707	A 2 1/2" x 13" Arched Escutcheon E780 Push Single \$ 222 E780 / E780 Push Double \$ 444 B 3" x 13" Arched Escutcheon E707 Push Single \$ 257 E707 / E707 Push Double \$ 514
C	 G763 G763	D	 G761 G762 G763 G763	C 2 3/4" x 20" Arched Escutcheon G763 Push Single \$ 349 G763 / G763 Push Double \$ 698 D 2 3/4" x 20" Arched Escutcheon G761 / G762 Push/Pull Dead Bolt \$ 1,415 G763 / G763 Push/Pull Dummy \$ 1,191 E 2 3/4" x 20" Arched Escutcheon G761 / G762 Push/Pull Dead Bolt \$ 1,908 G763 / G763 Push/Pull Dummy \$ 1,684
E	 G761 G762 G763 G763	F	 G761 G761 G763 G763	F 2 3/4" x 20" Arched Escutcheon G761 / G761 Push/Pull Double Cylinder Dead Bolt \$ 2,020 G763 / G763 Push/Pull Dummy \$ 1,684



- Combinations below are shown with G607 10" Sun Valley Grip. Call RMH for pricing and compatibility of other grips.
- Specify metal, patina, backset, door thickness, and lock type.
- Refer to Section B for Escutcheon Specifications.

	ACTIVE	DUMMY	ACTIVE	DUMMY	ESCUTCHEON OPTIONS
A			B		A 3 1/2" x 20" Arched Escutcheon G771 Push Single..... \$ 349 G771 / G771 Push Double..... \$ 698
		G771 G771		G770 G772 G771 G771	B 3 1/2" x 20" Arched Escutcheon G770 / G772 Push/Pull Dead Bolt..... \$ 1,415 G771 / G771 Push/Pull Dummy..... \$ 1,191
C			D		C 3 1/2" x 20" Arched Escutcheon G770 / G772 Push/Pull Dead Bolt..... \$ 1,908 G771 / G771 Push/Pull Full Dummy..... \$ 1,684
	G770 G772	G771 G771		G770 G770 G771 G771	D 3 1/2" x 20" Arched Escutcheon G770 / G770 Push/Pull Double Cylinder Dead Bolt..... \$ 2,020 G771 / G771 Push/Pull Dummy..... \$ 1,684

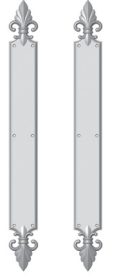
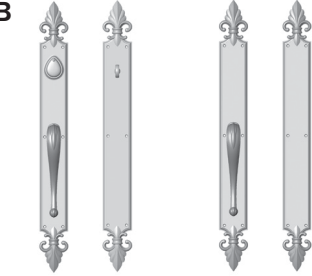
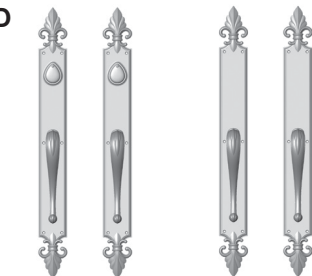
- Combinations below are shown with G614 12" Gooseneck Grip. Call RMH for pricing and compatibility of other grips.
- Specify metal, patina, backset, door thickness, and lock type.
- Refer to Section B for Escutcheon Specifications.

	ACTIVE	DUMMY	ACTIVE	DUMMY	ESCUTCHEON OPTIONS
A					A 3 1/2" x 26" Arched Escutcheon G784 Push Single \$ 440 G784 / G784 Push Double \$ 880
		G784 G784			
B					B 3 1/2" x 26" Arched Escutcheon G781 / G782 Push/Pull Dead Bolt \$ 1,637 G784 / G784 Push/Pull Dummy \$ 1,412
			G781 G782	G784 G784	
C					C 3 1/2" x 26" Arched Escutcheon G781 / G782 Push/Pull Dead Bolt \$ 2,169 G784 / G784 Push/Pull Dummy \$ 1,944
	G781 G782	G784 G784			
D					D 3 1/2" x 26" Arched Escutcheon G781 / G781 Push/Pull Double Cylinder Dead Bolt \$ 2,282 G784 / G784 Push/Pull Dummy \$ 1,944
	G781 G782	G781 G781	G784 G784	G784 G784	

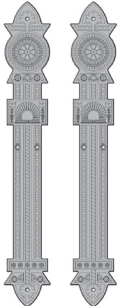
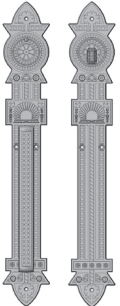
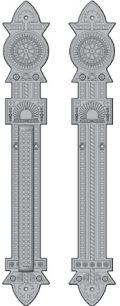
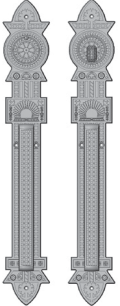
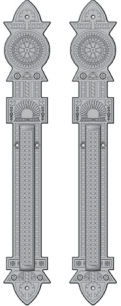
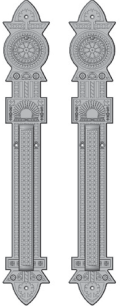
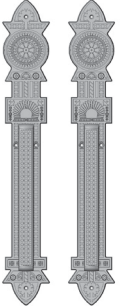
- Combinations below are shown with G30188 8" Cabernet Grip. Call RMH for pricing and compatibility of other grips.
- Specify metal, patina, backset, door thickness, and lock type.
- Refer to Section B for Escutcheon Specifications.

ACTIVE	DUMMY	ACTIVE	DUMMY	ESCUTCHEON OPTIONS
A		B		<p>A 2" x 18 7/8" Bordeaux Escutcheon</p> <p>E30880 Push Single\$ 318</p> <p>E30880 / E30880 Push Double.....\$ 636</p> <p>B 2" x 18 7/8" Bordeaux Escutcheon</p> <p>E30880 Push Single \$ 811</p> <p>E30880 / E30880 Push Double.....\$ 1,622</p>
	E30880 E30880		E30880 E30880	




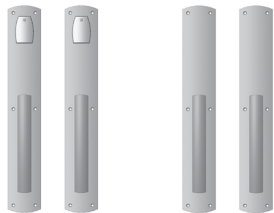
- Combinations below are shown with G30187 7" Chateau Grip. Call RMH for pricing and compatibility of other grips.
- Specify metal, patina, backset, door thickness, and lock type.
- Refer to Section B for Escutcheon Specifications.

ACTIVE	DUMMY	ACTIVE	DUMMY	ESCUTCHEON OPTIONS
<p>A</p>  <p>G30831 G30831</p>		<p>B</p>  <p>G30833 G30832 G30831 G30831</p>		<p>A 3" x 28 13/16" Bordeaux Escutcheon G30831 Push Single\$ 789 G30831 / G30831 Push Double.....\$ 1,578</p>
				<p>B 3" x 28 13/16" Bordeaux Escutcheon G30833 / G30832 Push/Pull Dead Bolt\$ 2,294 G30831 / G30831 Push/Pull Dummy\$ 2,071</p>
				<p>C 3" x 28 13/16" Bordeaux Escutcheon G30833 / G30832 Push/Pull Dead Bolt\$ 2,787 G30831 / G30831 Push/Pull Dummy\$ 2,564</p>
<p>C</p>  <p>G30833 G30832 G30831 G30831</p>		<p>D</p>  <p>G30833 G30833 G30831 G30831</p>		<p>D 3" x 28 13/16" Bordeaux Escutcheon G30833 / G30833 Push/Pull Double Cylinder Dead Bolt.....\$ 2,899 G30831 / G30831 Push/Pull Dummy\$ 2,564</p>

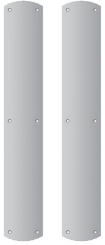


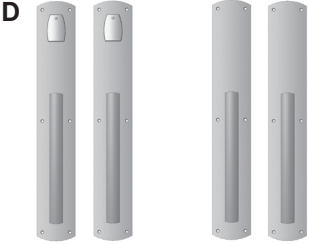
- Combinations below are shown with G10801 10" Briggs Grip. Call RMH for pricing and compatibility of other grips.
- Specify metal, patina, backset, door thickness, and lock type.
- Refer to Section B for Escutcheon Specifications.

ACTIVE	DUMMY	ACTIVE	DUMMY	ESCUTCHEON OPTIONS
<p>A</p>  <p>G10852 G10852</p>		<p>B</p>  <p>G10850 G10851</p>  <p>G10852 G10852</p>		<p>A 3 9/16" x 23 1/4" Briggs Escutcheon G10852 Push Single..... \$ 440 G10852 / G10852 Push Double..... \$ 880</p>
<p>C</p>  <p>G10850 G10851</p>  <p>G10852 G10852</p>		<p>D</p>  <p>G10850 G10850</p>  <p>G10852 G10852</p>		<p>B 3 9/16" x 23 1/4" Briggs Escutcheon G10850 / G10851 Push/Pull Dead Bolt \$ 1,637 G10852 / G10852 Push/Pull Dummy \$ 1,373</p> <p>C 3 9/16" x 23 1/4" Briggs Escutcheon G10850 / G10851 Push/Pull Dead Bolt \$ 2,169 G10852 / G10852 Push/Pull Dummy..... \$ 1,866</p> <p>D 3 9/16" x 23 1/4" Briggs Escutcheon G10850 / G10850 Push/Pull Double Cylinder Dead Bolt \$ 2,282 G10852 / G10852 Push/Pull Dummy..... \$ 1,866</p>


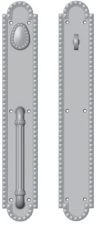
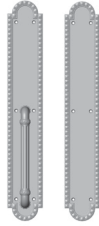
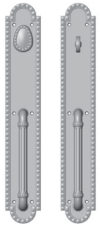
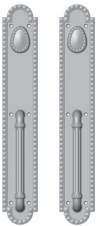
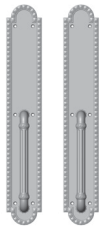
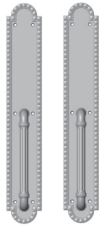
- Combinations below are shown with G30158 9" Convex Grip. Combinations below are only available with grip shown.
- Specify metal, patina, backset, door thickness, and lock type.
- Refer to Section B for Escutcheon Specifications.

ACTIVE	DUMMY	ACTIVE	DUMMY	ESCUTCHEON OPTIONS
A		B		A 3" x 19" Convex Escutcheon G30530 Push Single\$ 789 G30530 / G30530 Push Double\$ 1,578
	G30530 G30530		G30532 G30531 G30530 G30530	B 3" x 19" Convex Escutcheon G30532 / G30531 Push/Pull Dead Bolt\$ 2,294 G30530 / G30530 Push/Pull Dummy\$ 2,071
C		D		C 3" x 19" Convex Escutcheon G30532 / G30531 Push/Pull Dead Bolt\$ 2,787 G30530 / G30530 Push/Pull Dummy\$ 2,564
	G30532 G30531 G30530 G30530		G30532 G30532 G30530 G30530	D 3" x 19" Convex Escutcheon G30532 / G30532 Push/Pull Double Cylinder Dead Bolt\$ 2,899 G30530 / G30530 Push/Pull Dummy\$ 2,564

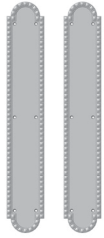
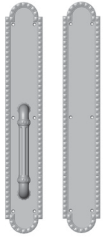
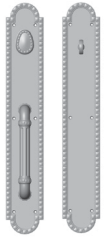

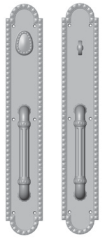
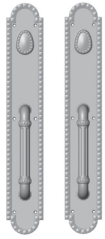
- Combinations below are shown with G30151 12" Convex Grip. Combinations below are only available with grip shown.
- Specify metal, patina, backset, door thickness, and lock type.
- Refer to Section B for Escutcheon Specifications.

ACTIVE	DUMMY	ACTIVE	DUMMY	ESCUTCHEON OPTIONS
A		B		A 3 1/2" x 22" Convex Escutcheon G30533 Push Single\$ 789 G30533 / G30533 Push Double\$ 1,578
	G30533 G30533	G30535 G30534	G30533 G30533	B 3 1/2" x 22" Convex Escutcheon G30535 / G30534 Push/Pull Dead Bolt.....\$ 2,294 G30533 / G30533 Push/Pull Dummy\$ 2,071
C		D		C 3 1/2" x 22" Convex Escutcheon G30535 / G30534 Push/Pull Dead Bolt.....\$ 2,787 G30533 / G30533 Push/Pull Dummy\$ 2,564
G30535 G30534	G30533 G30533	G30535 G30535	G30533 G30533	D 3 1/2" x 22" Convex Escutcheon G30535 / G30535 Push/Pull Double Cylinder Dead Bolt.....\$ 2,899 G30533 / G30533 Push/Pull Dummy\$ 2,564


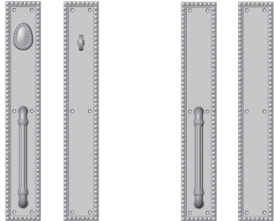
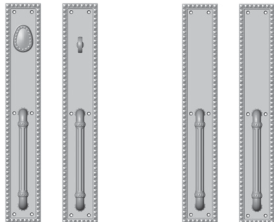
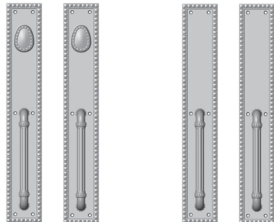
- Combinations below are shown with G30168 8" Pillar Grip. Call RMH for pricing and compatibility of other grips.
- Specify metal, patina, backset, door thickness, and lock type.
- Refer to Section B for Escutcheon Specifications.

ACTIVE	DUMMY	ACTIVE	DUMMY	ESCUTCHEON OPTIONS
A	 G30631 G30631	B	 G30633 G30632	A 3" x 19" Corbel Arched Escutcheon G30631 Push Single\$ 789 G30631 / G30631 Push Double.....\$ 1,578
			 G30631 G30631	B 3" x 19" Corbel Arched Escutcheon G30633 / G30632 Push/Pull Dead Bolt\$ 2,294 G30631 / G30631 Push/Pull Dummy\$ 2,071
C	 G30633 G30632	D	 G30633 G30633	C 3" x 19" Corbel Arched Escutcheon G30633 / G30632 Push/Pull Dead Bolt\$ 2,787 G30631 / G30631 Push/Pull Dummy.....\$ 2,564
	 G30631 G30631		 G30631 G30631	D 3" x 19" Corbel Arched Escutcheon G30633 / G30633 Push/Pull Double Cylinder Dead Bolt.....\$ 2,899 G30631 / G30631 Push/Pull Dummy\$ 2,564

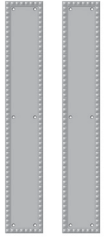
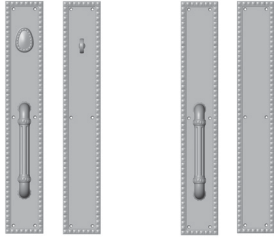
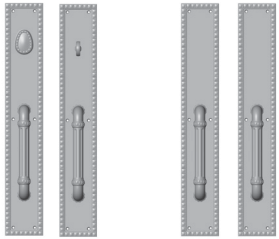
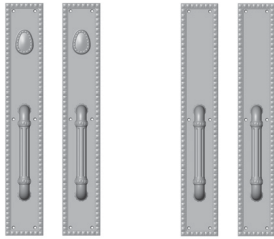
- Combinations below are shown with G30167 8" Pillar Grip. Call RMH for pricing and compatibility of other grips.
- Specify metal, patina, backset, door thickness, and lock type.
- Refer to Section B for Escutcheon Specifications.

ACTIVE	DUMMY	ACTIVE	DUMMY	ESCUTCHEON OPTIONS
A		B		A 3 1/2" x 22" Corbel Arched Escutcheon G30634 Push Single\$ 789 G30634 / G30634 Push Double\$ 1,578
	G30634 G30634			B 3 1/2" x 22" Corbel Arched Escutcheon G30636 / G30635 Push/Pull Dead Bolt\$ 2,294 G30634 / G30634 Push/Pull Dummy\$ 2,071
		G30636 G30635	G30634 G30634	C 3 1/2" x 22" Corbel Arched Escutcheon G30636 / G30635 Push/Pull Dead Bolt\$ 2,787 G30634 / G30634 Push/Pull Dummy\$ 2,564
C		D		D 3 1/2" x 22" Corbel Arched Escutcheon G30636 / G30636 Push/Pull Double Cylinder Dead Bolt.....\$ 2,899 G30634 / G30634 Push/Pull Dummy\$ 2,564
G30636 G30635	G30634 G30634	G30636 G30636	G30634 G30634	

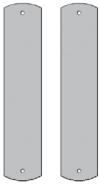



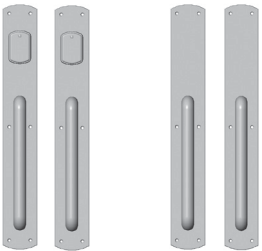
- Combinations below are shown with G30168 8" Pillar Grip. Call RMH for pricing and compatibility of other grips.
- Specify metal, patina, backset, door thickness, and lock type.
- Refer to Section B for Escutcheon Specifications.

ACTIVE	DUMMY	ACTIVE	DUMMY	ESCUTCHEON OPTIONS
A		B		A 3" x 19" Corbel Rectangular Escutcheon G30731 Push Single\$ 789 G30731 / G30731 Push Double\$ 1,578
	G30731 G30731		G30733 G30732 G30731 G30731	B 3" x 19" Corbel Rectangular Escutcheon G30733 / G30732 Push/Pull Dead Bolt\$ 2,294 G30731 / G30731 Push/Pull Dummy\$ 2,071
C		D		C 3" x 19" Corbel Rectangular Escutcheon G30733 / G30732 Push/Pull Dead Bolt\$ 2,787 G30731 / G30731 Push/Pull Dummy\$ 2,564
	G30733 G30732 G30731 G30731		G30733 G30733 G30731 G30731	D 3" x 19" Corbel Rectangular Escutcheon G30733 / G30733 Push/Pull Double Cylinder Dead Bolt\$ 2,899 G30731 / G30731 Push/Pull Dummy\$ 2,564

- Combinations below are shown with G30167 8" Pillar Grip. Call RMH for pricing and compatibility of other grips.
- Specify metal, patina, backset, door thickness, and lock type.
- Refer to Section B for Escutcheon Specifications.

ACTIVE	DUMMY	ACTIVE	DUMMY	ESCUTCHEON OPTIONS
<p>A</p>  <p>G30734 G30734</p>		<p>B</p>  <p>G30736 G30735 G30734 G30734</p>		<p>A 3 1/2" x 22" Corbel Rectangular Escutcheon G30734 Push Single.....\$ 789 G30734 / G30734 Push Double.....\$ 1,578</p>
<p>C</p>  <p>G30736 G30735 G30734 G30734</p>		<p>D</p>  <p>G30736 G30736 G30734 G30734</p>		<p>B 3 1/2" x 22" Corbel Rectangular Escutcheon G30736 / G30735 Push/Pull Dead Bolt.....\$ 2,294 G30734 / G30734 Push/Pull Dummy.....\$ 2,071</p> <p>C 3 1/2" x 22" Corbel Rectangular Escutcheon G30736 / G30735 Push/Pull Dead Bolt.....\$ 2,787 G30734 / G30734 Push/Pull Dummy.....\$ 2,564</p> <p>D 3 1/2" x 22" Corbel Rectangular Escutcheon G30736 / G30736 Push/Pull Double Cylinder Dead Bolt.....\$ 2,899 G30734 / G30734 Push/Pull Dummy.....\$ 2,564</p>

- Combinations below are shown with G619 10" D Grip. Call RMH for pricing and compatibility of other grips.
- Specify metal, patina, backset, door thickness, and lock type.
- Refer to Section B for Escutcheon Specifications.

ACTIVE	DUMMY	ACTIVE	DUMMY	ESCUTCHEON OPTIONS
A	 G560 G560	B	 G504 G504	A 2 3/4" x 13" Curved Escutcheon G560 Push Single.....\$ 257 G560 / G560 Push Double.....\$ 514 B 2 3/4" x 20" Curved Escutcheon G504 Push Single\$ 349 G504 / G504 Push Double.....\$ 698
C	 G501 G502 G504 G504	D	 G501 G502 G504 G504	C 2 3/4" x 20" Curved Escutcheon G501 / G502 Push/Pull Dead Bolt.....\$ 1,415 G504 / G504 Push/Pull Dummy.....\$ 1,191 D 2 3/4" x 20" Curved Escutcheon G501 / G502 Push/Pull Dead Bolt.....\$ 1,908 G504 / G504 Push/Pull Dummy.....\$ 1,684
E	 G501 G501 G504 G504			E 2 3/4" x 20" Curved Escutcheon G501 / G501 Push/Pull Double Cylinder Dead Bolt.....\$ 2,020 G504 / G504 Push/Pull Dummy.....\$ 1,684





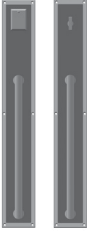



- Combinations below are shown with G628 12" D Grip. Call RMH for pricing and compatibility of other grips.
- Specify metal, patina, backset, door thickness, and lock type.
- Refer to Section B for Escutcheon Specifications.

	ACTIVE	DUMMY	ACTIVE	DUMMY	ESCUTCHEON OPTIONS
A					
		G508 G508			
B					
	G505 G507	G508 G508			A 3 1/2" x 26" Curved Escutcheon G508 Push Single.....\$ 440 G508 / G508 Push Double.....\$ 880
C					
	G505 G507	G508 G508			B 3 1/2" x 26" Curved Escutcheon G505 / G507 Push/Pull Dead Bolt\$ 1,637 G508 / G508 Push/Pull Dummy.....\$ 1,373
D					
	G505 G505	G508 G508			C 3 1/2" x 26" Curved Escutcheon G505 / G507 Push/Pull Dead Bolt\$ 2,169 G508 / G508 Push/Pull Dummy.....\$ 1,866
					D 3 1/2" x 26" Curved Escutcheon G505 / G505 Push/Pull Double Cylinder Dead Bolt.....\$ 2,282 G508 / G508 Push/Pull Dummy.....\$ 1,866






- Combinations below are shown with G651 10" Olympus Grip. Call RMH for pricing and compatibility of other grips.
- Specify metal, patina, leather or texture, backset, door thickness, and lock type.
- Refer to page Gi for leather and texture choices. Refer to website or brochure for details.
- Refer to Section B for Escutcheon Specifications.

ACTIVE		DUMMY		ACTIVE		DUMMY		ESCUTCHEON OPTIONS	
A									
		G133	G133						
				B					A 3 1/2" x 18" Designer Escutcheon
					G130	G132	G133	G133	G133 Push Single \$ 759
									G133 / G133 Push Double..... \$ 1,518
									B 3 1/2" x 18" Designer Escutcheon
									G130 / G132 Push/Pull Dead Bolt..... \$ 2,237
									G133 / G133 Push/Pull Dummy \$ 2,011
C									C 3 1/2" x 18" Designer Escutcheon
	G130	G132	G133	G133					G130 / G132 Push/Pull Dead Bolt..... \$ 2,730
									G133 / G133 Push/Pull Dummy \$ 2,504
				D					D 3 1/2" x 18" Designer Escutcheon
					G130	G130	G133	G133	G130 / G130 Push/Pull Double Cylinder
									Dead Bolt..... \$ 2,843
									G133 / G133 Push/Pull Dummy \$ 2,504

- Combinations below are shown with G652 14" Olympus Grip. Call RMH for pricing and compatibility of other grips.
- Specify metal, patina, leather or texture, backset, door thickness, and lock type.
- Refer to page Gi for leather and texture choices. Refer to website or brochure for details.
- Refer to Section B for Escutcheon Specifications.

ACTIVE		DUMMY		ACTIVE		DUMMY		ESCUTCHEON OPTIONS		
A					B			A 3 1/2" x 24" Designer Escutcheon		
	G137	G137			G135	G136	G137	G137	G137 Push Single.....	\$1,082
									G137 / G137 Push Double.....	\$ 2,164
								B 3 1/2" x 24" Designer Escutcheon		
									G135 / G136 Push/Pull Dead Bolt.....	\$ 2,919
									G137 / G137 Push/Pull Dummy.....	\$ 2,696
C					D			C 3 1/2" x 24" Designer Escutcheon		
	G135	G136	G137	G137	G135	G135	G137	G137	G135 / G136 Push/Pull Dead Bolt.....	\$ 3,448
									G137 / G137 Push/Pull Dummy.....	\$ 3,228
								D 3 1/2" x 24" Designer Escutcheon		
									G135 / G135 Push/Pull Double Cylinder	
									Dead Bolt.....	\$ 3,562
									G137 / G137 Push/Pull Dummy.....	\$ 3,228

- Combinations below are shown with G653 22 7/8" Olympus Grip. Call RMH for pricing and compatibility of other grips.
- Specify metal, patina, leather or texture, backset, door thickness, and lock type.
- Refer to page Gi for leather and texture choices. Refer to website or brochure for details.
- Refer to Section B for Escutcheon Specifications.

	ACTIVE	DUMMY	ACTIVE	DUMMY	ESCUTCHEON OPTIONS
A			B		<p>A 3 9/16" x 34 1/8" Designer Escutcheon G147 Push Single.....\$ 1,507 G147 / G147 Push Double.....\$ 3,014</p> <p>B 3 9/16" x 34 1/8" Designer Escutcheon G145 / G146 Push/Pull Dead Bolt.....\$ 3,984 G147 / G147 Push/Pull Dummy.....\$ 3,759</p> <p>C 3 9/16" x 34 1/8" Designer Escutcheon G145 / G146 Push/Pull Dead Bolt.....\$ 4,726 G147 / G147 Push/Pull Dummy.....\$ 4,504</p> <p>D 3 9/16" x 34 1/8" Designer Escutcheon G145 / G145 Push/Pull Double Cylinder Dead Bolt.....\$ 4,839 G147 / G147 Push/Pull Dummy.....\$ 4,504</p>
		G147 G147	G145 G146	G147 G147	
C			D		
	G145 G146	G147 G147	G145 G145	G147 G147	


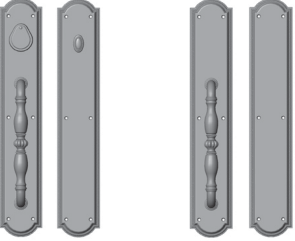
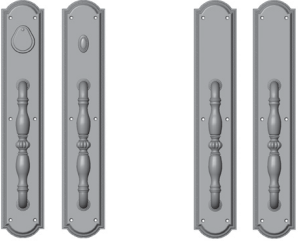
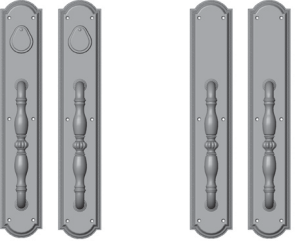
- Combinations below are shown with G283 10" Rail Grip. Call RMH for pricing and compatibility of other grips.
- These escutcheons (G181 and G182) are not compatible with a 2 1/8" face bore.
- Specify metal, style, patina, backset, door thickness, and lock type.
- Requires a minimum of 1 3/4" door thickness.
- Refer to Section B for Escutcheon Specifications.

	ACTIVE	DUMMY	ACTIVE	DUMMY	ESCUTCHEON OPTIONS
A					
		G180 G180			
B					
	G182 G181	G180 G180			A 2" x 18" Edge Escutcheon G180 Push Single \$ 349 G180 / G180 Push Double \$ 698
C					
	G182 G181	G180 G180			B 2" x 18" Edge Escutcheon G182 / G181 Push/Pull Dead Bolt \$ 1,415 G180 / G180 Push/Pull Dummy \$ 1,191
D					
	G182 G182	G180 G180			C 2" x 18" Edge Escutcheon G182 / G181 Push/Pull Dead Bolt \$ 1,908 G180 / G180 Push/Pull Dummy \$ 1,684
					D 2" x 18" Edge Escutcheon G182 / G182 Push/Pull Double Cylinder Dead Bolt \$ 2,020 G180 / G180 Push/Pull Dummy \$ 1,684








- Combinations below are shown with G265 16" Rail Grip. Call RMH for pricing and compatibility of other grips.
- These escutcheons (G184 and G185) are not compatible with a 2 1/8" face bore.
- Specify metal, style, patina, backset, door thickness, and lock type.
- Requires a minimum of 1 3/4" door thickness.
- Refer to Section B for Escutcheon Specifications.

	ACTIVE	DUMMY	ACTIVE	DUMMY	ESCUTCHEON OPTIONS
A					A 2" x 24" Edge Escutcheon G183 Push Single \$421 G183 / G183 Push Double\$842 B 2" x 24" Edge Escutcheon G185 / G184 Push/Pull Dead Bolt.....\$ 1,558 G183 / G183 Push/Pull Dummy\$ 1,374 C 2" x 24" Edge Escutcheon G185 / G184 Push/Pull Dead Bolt..... \$ 2,051 G183 / G183 Push/Pull Dummy\$ 1,906 D 2" x 24" Edge Escutcheon G185 / G185 Push/Pull Double Cylinder Dead Bolt.....\$ 2,164 G183 / G183 Push/Pull Dummy\$ 1,906
		G183 G183			
			G185 G184	G183 G183	
			G183 G183		
C					
	G185 G184	G183 G183			
D					
	G185 G185	G183 G183			

- Combinations below are shown with G070 10" Ellis Grip. Call RMH for pricing and compatibility of other grips.
- Specify metal, patina, backset, door thickness, and lock type.
- Refer to Section B for Escutcheon Specifications.

ACTIVE	DUMMY	ACTIVE	DUMMY	ESCUTCHEON OPTIONS
A	 G030 G030	B	 G033 G031 G030 G030	A 3 1/2" x 20" Ellis Escutcheon G030 Push Single \$ 789 G030 / G030 Push Double..... \$ 1,578 B 3 1/2" x 20" Ellis Escutcheon G033 / G031 Push/Pull Dead Bolt. \$ 2,294 G030 / G030 Push/Pull Dummy \$ 2,071
C	 G033 G031 G030 G030	D	 G033 G033 G030 G030	C 3 1/2" x 20" Ellis Escutcheon G033 / G031 Push/Pull Dead Bolt. \$ 2,787 G030 / G030 Push/Pull Dummy \$ 2,564 D 3 1/2" x 20" Ellis Escutcheon G033 / G033 Push/Pull Double Cylinder Dead Bolt..... \$ 2,899 G030 / G030 Push/Pull Dummy \$ 2,564


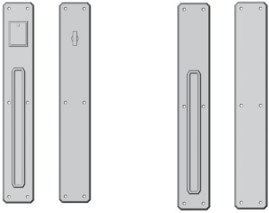
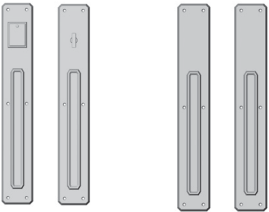
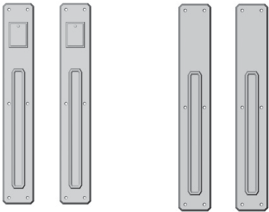
- Combinations below are shown with G607 10" Sun Valley Grip. Call RMH for pricing and compatibility of other grips.
- Specify metal, patina, backset, door thickness, and lock type.
- Refer to Section B for Escutcheon Specifications.

ACTIVE	DUMMY	ACTIVE	DUMMY	ESCUTCHEON OPTIONS
<p>A</p>  <p>G843 G843</p>		<p>B</p>  <p>G841 G842</p>  <p>G843 G843</p>		<p>A 3 1/4" x 27" Fleur De Lis Escutcheon G843 Push Single..... \$ 429 G843 / G843 Push Double \$ 858</p> <p>B 3 1/4" x 27" Fleur De Lis Escutcheon G841/ G842 Push/Pull Dead Bolt..... \$ 1,576 G843 / G843 Push/Pull Dummy \$ 1,351</p> <p>C 3 1/4" x 27" Fleur De Lis Escutcheon G841 / G842 Push/Pull Dead Bolt \$ 2,067 G843 / G843 Push/Pull Dummy \$ 1,844</p> <p>D 3 1/4" x 27" Fleur De Lis Escutcheon G841 / G841 Push/Pull Double Cylinder Dead Bolt..... \$ 2,181 G843 / G843 Push/Pull Dummy \$ 1,844</p>
<p>C</p>  <p>G841 G842</p>  <p>G843 G843</p>		<p>D</p>  <p>G841 G841</p>  <p>G843 G843</p>		

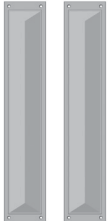
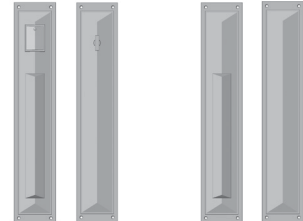
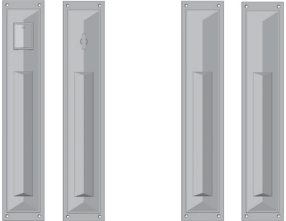
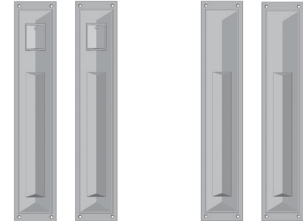
- Combinations below are shown with G607 10" Sun Valley Grip. Call RMH for pricing and compatibility of other grips.
- Specify metal, patina, backset, door thickness, and lock type.
- These escutcheons (G801 and G802) require a backset of 2 3/4" or greater.
- Refer to Section B for Escutcheon Specifications.

ACTIVE		DUMMY		ACTIVE		DUMMY		ESCUTCHEON OPTIONS			
A					B					A 4 3/16" x 18" Gothic Escutcheon G804 Push Single..... \$ 349 G804 / G804 Push Double..... \$ 698	
											B 4 3/16" x 18" Gothic Escutcheon G801 / G802 Push/Pull Dead Bolt..... \$ 1,415 G804 / G804 Push/Pull Dummy..... \$ 1,191
C					D					C 4 3/16" x 18" Gothic Escutcheon G801 / G802 Push/Pull Dead Bolt..... \$ 1,908 G804 / G804 Push/Pull Dummy..... \$ 1,684	
											D 4 3/16" x 18" Gothic Escutcheon G801 / G801 Push/Pull Double Cylinder Dead Bolt..... \$ 2,020 G804 / G804 Push/Pull Dummy..... \$ 1,684
G804 G804		G804 G804		G801 G802		G804 G804					
G801 G802		G804 G804		G801 G801		G804 G804					

- Combinations below are shown with G30148 10" Smith Grip. Call RMH for pricing and compatibility of other grips.
- Specify metal, patina, backset, door thickness, and lock type.
- These escutcheons require a backset that is 2 1/2" or greater.
- Refer to Section B for Escutcheon Specifications.

ACTIVE	DUMMY	ACTIVE	DUMMY	ESCUTCHEON OPTIONS
A		B		A 3" x 19" Hammered Escutcheon G30431 Push Single.....\$ 349 G30431 / G30431 Push Double.....\$ 698
	G30431 G30431		G30433 G30432 G30431 G30431	B 3" x 19" Hammered Escutcheon G30433 / G30432 Push/Pull Dead Bolt.....\$ 1,415 G30431 / G30431 Push/Pull Dummy\$ 1,191
C		D		C 3" x 19" Hammered Escutcheon G30433 / G30432 Push/Pull Dead Bolt.....\$ 1,908 G30431 / G30431 Push/Pull Dummy\$ 1,684
	G30433 G30432 G30431 G30431		G30433 G30433 G30431 G30431	D 3" x 19" Hammered Escutcheon G30433 / G30433 Push/Pull Double Cylinder Dead Bolt.....\$ 2,020 G30431 / G30431 Push/Pull Dummy\$ 1,684

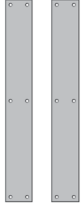



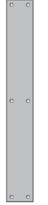








- Combinations below are shown with G21010 10" Mack Grip. Call RMH for pricing and compatibility of other grips.
- Specify metal, patina, backset, door thickness, and lock type.
- These escutcheons require a backset that is 2 1/2" or greater.
- Refer to Section B for Escutcheon Specifications.

ACTIVE	DUMMY	ACTIVE	DUMMY	ESCUTCHEON OPTIONS
A	 G21030 G21030	B	 G21033 G21031 G21030 G21030	A 3 3/4" x 20" Mack Escutcheon G21030 Push Single..... \$ 429 G21030/ G21030 Push Double..... \$ 858 B 3 3/4" x 20" Mack Escutcheon G21033 / G21031 Push/Pull Dead Bolt \$ 1,576 G21030 / G21030 Push/Pull Dummy \$ 1,351 C 3 3/4" x 20" Mack Escutcheon G21033 / G21031 Push/Pull Dead Bolt \$ 2,067 G21030 / G21030 Push/Pull Dummy \$ 1,844 D 3 3/4" x 20" Mack Escutcheon G21033 / G21033 Push/Pull Double Cylinder Dead Bolt..... \$ 2,181 G21030 / G21030 Push/Pull Dummy \$ 1,844
C	 G21033 G21031 G21030 G21030	D	 G21033 G21033 G21030 G21030	

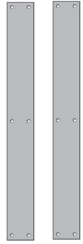


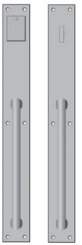
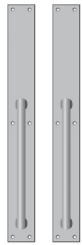


- Combinations below are shown with G580 10" Maddox Grip. Call RMH for pricing and compatibility of other grips.
- Specify metal, patina, backset, door thickness, and lock type.
- Refer to Section B for Escutcheon Specifications.

ACTIVE		DUMMY		ACTIVE		DUMMY		ESCUTCHEON OPTIONS			
A			G584 G584		B			A 3 1/2" x 22" Maddox Escutcheon			
								G584 Push Single..... \$ 789 G584 / G584 Push Double \$ 1,578			
C			G581 G582 G584 G584						B 3 1/2" x 22" Maddox Escutcheon		
									G581/ G582 Push/Pull Dead Bolt..... \$ 2,294 G584 / G584 Push/Pull Dummy..... \$ 2,071		
D			G581 G581 G584 G584						C 3 1/2" x 22" Maddox Escutcheon		
									G581/ G582 Push/Pull Dead Bolt..... \$ 2,787 G584 / G584 Push/Pull Dummy..... \$ 2,564		
										D 3 1/2" x 22" Maddox Escutcheon	
										G581 / G581 Push/Pull Double Cylinder Dead Bolt..... \$ 2,899 G584 / G584 Push/Pull Dummy..... \$ 2,564	

- Combinations below are shown with G650 7 1/2" Olympus Grip. Call RMH for pricing and compatibility of other grips.
- These escutcheons (G225 and G226) are not compatible with a 2 1/8" face bore.
- Specify metal, patina, backset, door thickness, and lock type.
- Refer to Section B for Escutcheon Specifications.

	ACTIVE	DUMMY	ACTIVE	DUMMY	ESCUTCHEON OPTIONS
A					A 2 1/4" x 17" Metro Escutcheon
		G227 G227			G227 Push Single \$ 349
					G227 / G227 Push Double \$ 698
B					B 2 1/4" x 17" Metro Escutcheon
	G225	G226	G227	G227	G225 / G226 Push/Pull Dead Bolt \$ 1,415
					G227 / G227 Push/Pull Dummy \$ 1,191
C					C 2 1/4" x 17" Metro Escutcheon
	G225	G226	G227	G227	G225 / G226 Push/Pull Dead Bolt \$ 1,908
					G227 / G227 Push/Pull Dummy \$ 1,684
D					D 2 1/4" x 17" Metro Escutcheon
	G225	G225	G227	G227	G225 / G225 Push/Pull Double Cylinder
					Dead Bolt \$ 2,020
					G227 / G227 Push/Pull Dummy \$ 1,684


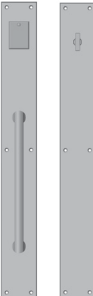
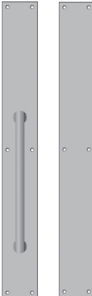
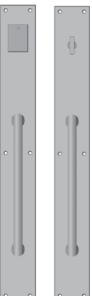
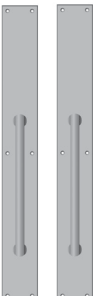
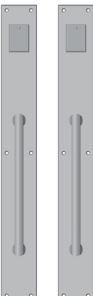
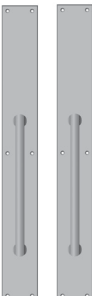
- Combinations below are shown with G651 10" Olympus Grip. Call RMH for pricing and compatibility of other grips.
- These escutcheons (G231 and G233) are not compatible with a 2 1/8" face bore.
- Specify metal, patina, backset, door thickness, and lock type.
- Refer to Section B for Escutcheon Specifications.

	ACTIVE	DUMMY	ACTIVE	DUMMY	ESCUTCHEON OPTIONS
A					A 2 1/4" x 20" Metro Escutcheon G230 Push Single.....\$ 349 G230 / G230 Push Double.....\$ 698
		G230 G230			
B					B 2 1/4" x 20" Metro Escutcheon G233 / G231 Push/Pull Dead Bolt.....\$ 1,415 G230 / G230 Push/Pull Dummy.....\$ 1,191
	G233 G231	G230 G230			
C					C 2 1/4" x 20" Metro Escutcheon G233 / G231 Push/Pull Dead Bolt.....\$ 1,908 G230 / G230 Push/Pull Dummy.....\$ 1,684
	G233 G231	G230 G230			
D					D 2 1/4" x 20" Metro Escutcheon G233 / G233 Push/Pull Double Cylinder Dead Bolt.....\$ 2,020 G230 / G230 Push/Pull Dummy.....\$ 1,684
	G233 G233	G230 G230			


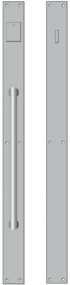
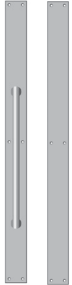
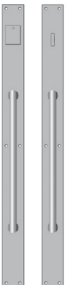
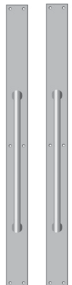
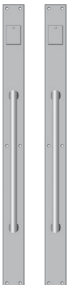
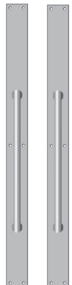
- Combinations below are shown with G651 10" Olympus Grip. Call RMH for pricing and compatibility of other grips.
- Specify metal, patina, backset, door thickness, and lock type.
- Refer to Section B for Escutcheon Specifications.

	ACTIVE	DUMMY	ACTIVE	DUMMY	ESCUTCHEON OPTIONS
A					
		G240 G240			
B					A 2 3/4" x 20" Metro Escutcheon G240 Push Single.....\$ 349 G240 / G240 Push Double\$ 698 B 2 3/4" x 20" Metro Escutcheon G242 / G241 Push/Pull Dead Bolt\$ 1,415 G240 / G240 Push/Pull Dummy\$ 1,191
		G242 G241	G240 G240		
C					C 2 3/4" x 20" Metro Escutcheon G242 / G241 Push/Pull Dead Bolt\$ 1,908 G240 / G240 Push/Pull Dummy\$ 1,684
		G242 G241	G240 G240		
D					D 2 3/4" x 20" Metro Escutcheon G242 / G242 Push/Pull Double Cylinder Dead Bolt.....\$ 2,020 G240 / G240 Push/Pull Dummy\$ 1,684
		G242 G242	G240 G240		

- Combinations below are shown with G651 10" Olympus Grip. Call RMH for pricing and compatibility of other grips.
- Specify metal, patina, backset, door thickness, and lock type.
- Refer to Section B for Escutcheon Specifications.

	ACTIVE	DUMMY	ACTIVE	DUMMY	ESCUTCHEON OPTIONS
A					A 2 3/4" x 23" Metro Escutcheon G236 Push Single..... \$421 G236 / G236 Push Double\$842 B 2 3/4" x 23" Metro Escutcheon G238 / G237 Push/Pull Dead Bolt.....\$ 1,558 G236 / G236 Push/Pull Dummy\$ 1,335 C 2 3/4" x 23" Metro Escutcheon G238 / G237 Push/Pull Dead Bolt..... \$ 2,051 G236 / G236 Push/Pull Dummy\$ 1,828 D 2 3/4" x 23" Metro Escutcheon G238 / G238 Push/Pull Double Cylinder Dead Bolt.....\$ 2,164 G236 / G236 Push/Pull Dummy\$ 1,828
		G236 G236			
C					
	G238 G237	G236 G236			
			G238 G238	G236 G236	

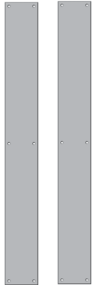

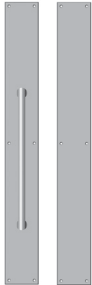
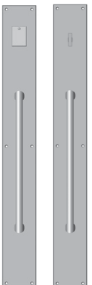
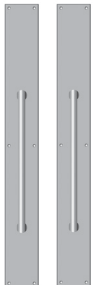
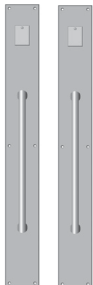
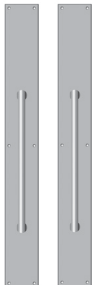
- Combinations below are shown with G652 14" Olympus Grip. Call RMH for pricing and compatibility of other grips.
- These escutcheons (G207 and G208) are not compatible with a 2 1/8" face bore.
- Specify metal, patina, backset, door thickness, and lock type.
- Refer to Section B for Escutcheon Specifications.

	ACTIVE	DUMMY	ACTIVE	DUMMY	ESCUTCHEON OPTIONS
A					A 2 1/4" x 30" Metro Escutcheon G209 Push Single..... \$ 440 G209 / G209 Push Double..... \$ 880 B 2 1/4" x 30" Metro Escutcheon G207 / G208 Push/Pull Dead Bolt \$ 1,637 G209 / G209 Push/Pull Dummy..... \$ 1,412 C 2 1/4" x 30" Metro Escutcheon G207 / G208 Push/Pull Dead Bolt \$ 2,169 G209 / G209 Push/Pull Dummy..... \$ 1,944 D 2 1/4" x 30" Metro Escutcheon G207 / G207 Push/Pull Double Cylinder Dead Bolt..... \$ 2,282 G209 / G209 Push/Pull Dummy..... \$ 1,944
		G209 G209			
			G207 G208	G209 G209	
C					
	G207 G208	G209 G209			
D					
	G207 G207		G209 G209		

- Combinations below are shown with G650 7 1/2" Olympus Grip. Call RMH for pricing and compatibility of other grips.
- Specify metal, patina, backset, door thickness, and lock type.
- Refer to Section B for Escutcheon Specifications.

	ACTIVE	DUMMY	ACTIVE	DUMMY	ESCUTCHEON OPTIONS
A					
		G204 G204			
B					A 3 1/2" x 18" Metro Escutcheon G204 Push Single..... \$ 318 G204 / G204 Push Double..... \$ 636 B 3 1/2" x 18" Metro Escutcheon G206 / G205 Push/Pull Dead Bolt \$ 1,353 G204 / G204 Push/Pull Dummy..... \$ 1,129 C 3 1/2" x 18" Metro Escutcheon G206 / G205 Push/Pull Dead Bolt \$ 1,846 G204 / G204 Push/Pull Dummy..... \$ 1,622 D 3 1/2" x 18" Metro Escutcheon G206 / G206 Push/Pull Double Cylinder Dead Bolt..... \$ 1,960 G204 / G204 Push/Pull Dummy..... \$ 1,622
		G206 G205	G204 G204		
C					
	G204 G205	G204 G204			
D					
	G204 G205	G204 G204			











- Combinations below are shown with G652 14" Olympus Grip. Call RMH for pricing and compatibility of other grips.
- Specify metal, patina, backset, door thickness, and lock type.
- Refer to Section B for Escutcheon Specifications.

	ACTIVE	DUMMY	ACTIVE	DUMMY	ESCUTCHEON OPTIONS
A					
		G203 G203			
B					
	G201 G202		G203 G203		
C					
	G201 G202	G203 G203			
D					
	G201 G201		G203 G203		
					A 3 1/2" x 30" Metro Escutcheon G203 Push Single..... \$ 622 G203 / G203 Push Double \$ 1,244 B 3 1/2" x 30" Metro Escutcheon G201 / G202 Push/Pull Dead Bolt..... \$ 2,000 G203 / G203 Push/Pull Dummy..... \$ 1,776 C 3 1/2" x 30" Metro Escutcheon G201 / G202 Push/Pull Dead Bolt..... \$ 2,529 G203 / G203 Push/Pull Dummy..... \$ 2,308 D 3 1/2" x 30" Metro Escutcheon G201 / G201 Push/Pull Double Cylinder Dead Bolt..... \$ 2,644 G203 / G203 Push/Pull Dummy..... \$ 2,308

- Combinations below are shown with G10305 10" Portia Grip. Call RMH for pricing and compatibility of other grips.
- Specify metal, patina, backset, door thickness, and lock type.
- Refer to Section B for Escutcheon Specifications.

	ACTIVE	DUMMY	ACTIVE	DUMMY	ESCUTCHEON OPTIONS
A					
		G10273 G10273			
B					A 3" x 20" Oasis Escutcheon G10273 Push Single \$ 349 G10273 / G10273 Push Double \$ 698 B 3" x 20" Oasis Escutcheon G10275 / G10274 Push/Pull Dead Bolt \$ 1,415 G10273 / G10273 Push/Pull Dummy \$ 1,191
		G10275 G10274	G10273 G10273		
C					C 3" x 20" Oasis Escutcheon G10275 / G10274 Push/Pull Dead Bolt \$ 1,908 G10273 / G10273 Push/Pull Dummy \$ 1,684
	G10275 G10274	G10273 G10273			
D					D 3" x 20" Oasis Escutcheon G10275 / G10275 Push/Pull Double Cylinder Dead Bolt \$ 2,020 G10273 / G10273 Push/Pull Dummy \$ 1,684
	G10275 G10275	G10273 G10273			


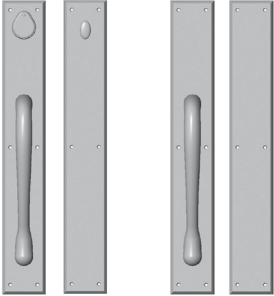
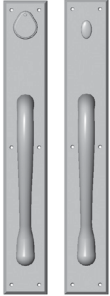
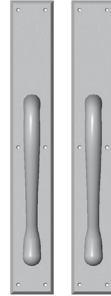
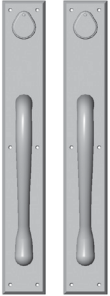

- Combinations below are shown with G607 10" Sun Valley Grip. Call RMH for pricing and compatibility of other grips.
- Specify metal, patina, backset, door thickness, and lock type.
- Refer to Section B for Escutcheon Specifications.

	ACTIVE	DUMMY	ACTIVE	DUMMY	ESCUTCHEON OPTIONS
A					A 2 1/2" x 13" Rectangular Escutcheon E480 Push Single \$ 222 E480 / E480 Push Double \$ 444
		E480 E480			
B					B 3 1/2" x 13" Rectangular Escutcheon E465 Push Single \$ 257 E465 / E465 Push Double \$ 514
			E465 E465		
C					C 2 3/4" x 18" Rectangular Escutcheon G644 Push Single \$ 257 G644 / G644 Push Double \$ 514
		G644 G644			
D					D 2 3/4" x 18" Rectangular Escutcheon G641 / G642 Push/Pull Dead Bolt \$ 1,229 G644 / G644 Push/Pull Dummy \$ 1,007
			G641 G642	G644 G644	
E					E 2 3/4" x 18" Rectangular Escutcheon G641 / G642 Push/Pull Dead Bolt \$ 1,722 G644 / G644 Push/Pull Dummy \$ 1,500
	G641 G642	G644 G644			
F					F 2 3/4" x 18" Rectangular Escutcheon G641 / G641 Push/Pull Double Cylinder Dead Bolt \$ 1,834 G644 / G644 Push/Pull Dummy \$ 1,500
	G641 G641	G644 G644	G644 G644		














- Combinations below are shown with G607 10" Sun Valley Grip. Call RMH for pricing and compatibility of other grips.
- Specify metal, patina, backset, door thickness, and lock type.
- Refer to Section B for Escutcheon Specifications.

ACTIVE		DUMMY		ACTIVE		DUMMY		ESCUTCHEON OPTIONS			
A							A 3 1/2" x 18" Rectangular Escutcheon				
	G604 G604		B						G604 Push Single.....	\$ 318	
				G601 G602	G604 G604	B 3 1/2" x 18" Rectangular Escutcheon					
							G601 / G602 Push/Pull Dead Bolt.....	\$ 1,353			
C									C 3 1/2" x 18" Rectangular Escutcheon		
	G601 G602		G604 G604				G604 / G604 Push/Pull Dummy.....	\$ 1,129			
D									D 3 1/2" x 18" Rectangular Escutcheon		
	G601 G601		G604 G604				G601 / G601 Push/Pull Double Cylinder				
								Dead Bolt.....	\$ 1,960		
								G604 / G604 Push/Pull Dummy.....	\$ 1,622		















- Combinations below are shown with G614 12" Gooseneck Grip. Call RMH for pricing and compatibility of other grips.
- Specify metal, patina, backset, door thickness, and lock type.
- Refer to Section B for Escutcheon Specifications.

	ACTIVE	DUMMY	ACTIVE	DUMMY	ESCUTCHEON OPTIONS
A					A 3 1/2" x 24" Rectangular Escutcheon G684 Push Single..... \$ 440 G684 / G684 Push Double \$ 880
		G684 G684			
B					B 3 1/2" x 24" Rectangular Escutcheon G681 / G682 Push/Pull Dead Bolt..... \$ 1,637 G684 / G684 Push/Pull Dummy..... \$ 1,412
			G681 G682	G684 G684	
C					C 3 1/2" x 24" Rectangular Escutcheon G681 / G682 Push/Pull Dead Bolt..... \$ 2,169 G684 / G684 Push/Pull Dummy..... \$ 1,944
	G681 G682	G684 G684			
D					D 3 1/2" x 24" Rectangular Escutcheon G681 / G681 Push/Pull Double Cylinder Dead Bolt..... \$ 2,282 G684 / G684 Push/Pull Dummy..... \$ 1,944
	G681 G681	G684 G684			

- Combinations below are shown with G619 10" D Grip. Call RMH for pricing and compatibility of other grips.
- Specify metal, patina, backset, door thickness, and lock type.
- Refer to Section B for Escutcheon Specifications.

	ACTIVE	DUMMY	ACTIVE	DUMMY	ESCUTCHEON OPTIONS
A					
		G304 G304			
B					
	G301 G302	G304 G304			A 2 3/4" x 20" Stepped Escutcheon G304 Push Single.....\$ 349 G304 / G304 Push Double.....\$ 698
C					
	G301 G302	G304 G304			B 2 3/4" x 20" Stepped Escutcheon G301 / G302 Push/Pull Dead Bolt.....\$ 1,415 G304 / G304 Push/Pull Dummy.....\$ 1,191
D					
	G301 G301	G304 G304			C 2 3/4" x 20" Stepped Escutcheon G301 / G302 Push/Pull Dead Bolt.....\$ 1,908 G304 / G304 Push/Pull Dummy.....\$ 1,684
					D 2 3/4" x 20" Stepped Escutcheon G301 / G301 Push/Pull Double Cylinder Dead Bolt.....\$ 2,020 G304 / G304 Push/Pull Dummy.....\$ 1,684

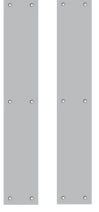
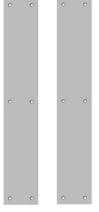
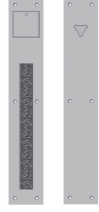
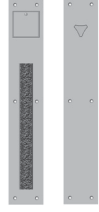
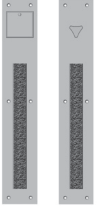
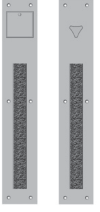
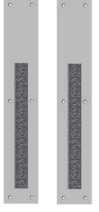
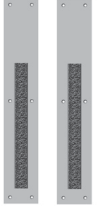
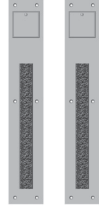
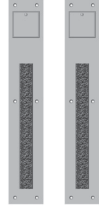
- Combinations below are shown with G619 10" D Grip. Call RMH for pricing and compatibility of other grips.
- Specify metal, patina, backset, door thickness, and lock type.
- Refer to Section B for Escutcheon Specifications.

	ACTIVE	DUMMY	ACTIVE	DUMMY	ESCUTCHEON OPTIONS
A					
		G324 G324			
B					A 3 1/2" x 20" Stepped Escutcheon G324 Push Single \$ 349 G324 / G324 Push Double \$ 698 B 3 1/2" x 20" Stepped Escutcheon G320 / G322 Push/Pull Dead Bolt \$ 1,415 G324 / G324 Push/Pull Dummy \$ 1,191 C 3 1/2" x 20" Stepped Escutcheon G320 / G322 Push/Pull Dead Bolt \$ 1,908 G324 / G324 Push/Pull Dummy \$ 1,684 D 3 1/2" x 20" Stepped Escutcheon G320 / G320 Push/Pull Double Cylinder Dead Bolt \$ 2,020 G324 / G324 Push/Pull Dummy \$ 1,684
		G320 G322	G324 G324		
C					
		G320 G322	G324 G324		
D					
		G320 G320	G324 G324		

- Combinations below are shown with G628 12" D Grip. Call RMH for pricing and compatibility of other grips.
- Specify metal, patina, backset, door thickness, and lock type.
- Refer to Section B for Escutcheon Specifications.

	ACTIVE	DUMMY	ACTIVE	DUMMY	ESCUTCHEON OPTIONS
A					
		G327 G327			
B					
	G326 G328	G327 G327			A 3 1/2" x 24" Stepped Escutcheon G327 Push Single \$ 440 G327 / G327 Push Double..... \$ 880
C					
	G326 G328	G327 G327			B 3 1/2" x 24" Stepped Escutcheon G326 / G328 Push/Pull Dead Bolt \$ 1,598 G327 / G327 Push/Pull Dummy \$ 1,373
D					
	G326 G326	G327 G327			C 3 1/2" x 24" Stepped Escutcheon G326 / G328 Push/Pull Dead Bolt \$ 2,090 G327 / G327 Push/Pull Dummy \$ 1,866
					D 3 1/2" x 24" Stepped Escutcheon G326 / G326 Push/Pull Double Cylinder Dead Bolt..... \$ 2,205 G327 / G327 Push/Pull Dummy \$ 1,866

- Combinations below are shown with G30302 10" Trousdale Grip. Call RMH for pricing and compatibility of other grips.
- Specify metal, patina, backset, door thickness, and lock type.
- Refer to Section B for Escutcheon Specifications.

ACTIVE		DUMMY		ACTIVE		DUMMY		ESCUTCHEON OPTIONS	
A					B				A 3" x 18" Trousdale Escutcheon Kravitz Design Collection G30331 Push Single \$ 789 G30331 / G30331 Push Double \$ 1,578
									B 3" x 18" Trousdale Escutcheon Kravitz Design Collection G30333 / G30332 Push/Pull Dead Bolt \$ 2,294 G30331 / G30331 Push/Pull Dummy \$ 2,071
C					D				C 3" x 18" Trousdale Escutcheon Kravitz Design Collection G30333 / G30332 Push/Pull Dead Bolt \$ 2,787 G30331 / G30331 Push/Pull Dummy \$ 2,564
									D 3" x 18" Trousdale Escutcheon Kravitz Design Collection G30333 / G30333 Push/Pull Double Cylinder Dead Bolt \$ 2,899 G30331 / G30331 Push/Pull Dummy \$ 2,564