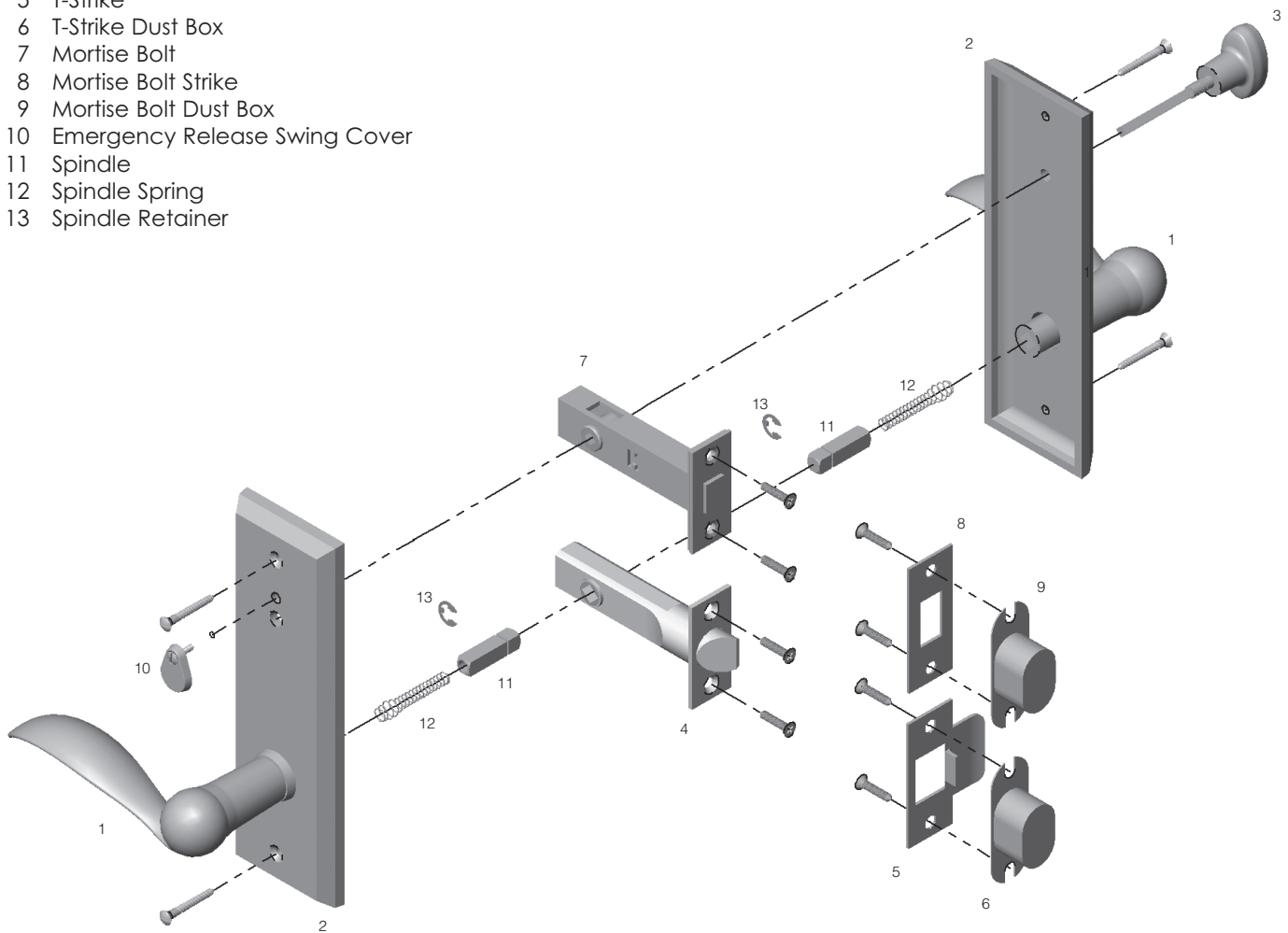


# ROCKY MOUNTAIN

H A R D W A R E

## Privacy Spring Latch / Mortise Bolt - Lever to Lever

- 1 Lever
- 2 Escutcheon
- 3 Turn Piece
- 4 Spring Latch
- 5 T-Strike
- 6 T-Strike Dust Box
- 7 Mortise Bolt
- 8 Mortise Bolt Strike
- 9 Mortise Bolt Dust Box
- 10 Emergency Release Swing Cover
- 11 Spindle
- 12 Spindle Spring
- 13 Spindle Retainer



Note: Cut Shank on Turn Piece so that it goes halfway through the Mortise Bolt. This will allow a space for the emergency release key to operate the Mortise Bolt.

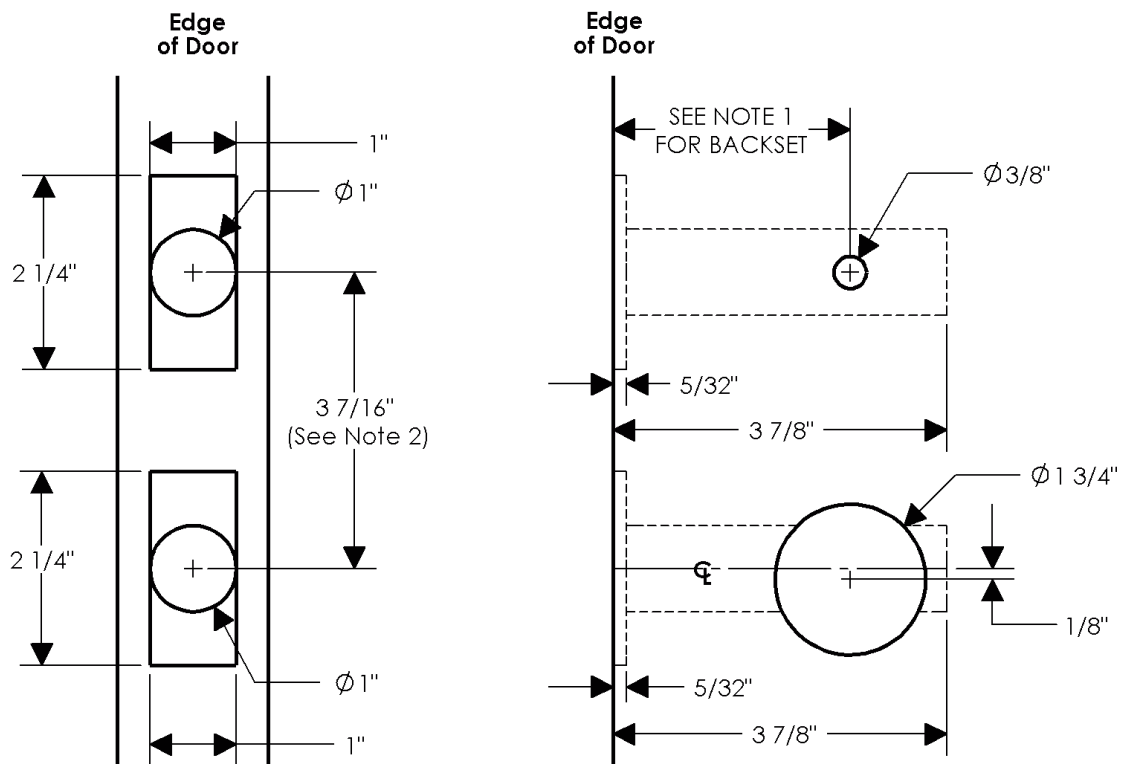
## EDGE COLLECTION - DOOR PREPARATORY SPECIFICATIONS

### Privacy Spring Latch/Mortise Bolt - Interior & Exterior

Not Applicable to Element, or Bluetooth Options

Notes:

1. This bore specification is applicable for 2 3/8" or 2 3/4" backset spring latches/mortise bolts.
2. This center-to-center dimension may change with escutcheon selection.
3. 1 3/4" minimum door thickness.





## EDGE COLLECTION - DOOR PREPARATORY SPECIFICATIONS

### Strike - Privacy Spring Latch/Mortise Bolt

Notes:

1. This dimension is 1/2 of door thickness, eg., 1 3/4" divided by 2 = 7/8". This dimension will have to be adjusted for different door thicknesses and unusual jamb or door conditions.
2. This center-to-center dimension may be changed with escutcheon selection.
3. 1 3/4" minimum door thickness.

