

**Sample Order / Cheat Sheet**  
K Builder Series 1/2

QUOTE     ORDER

NAME: \_\_\_\_\_

PO# \_\_\_\_\_

ADDRESS: \_\_\_\_\_

DELIVERY: \_\_\_\_\_

\_\_\_\_\_

ADDRESS: \_\_\_\_\_



ORDER DATE: \_\_\_\_\_

OFFICE PHONE: \_\_\_\_\_

CONTACT: \_\_\_\_\_

FAX PHONE: \_\_\_\_\_

JOB NAME: \_\_\_\_\_

JOB PHONE: \_\_\_\_\_

**HARDWARE WORK ORDER**

Toll Free 888.788.2013 or 208.788.2013; Fax 208.788.2577

201012

LINE NO.	FUNCTION	HANDLE		ESCUTCHEON		METAL	PATINA	HANDING OR LENGTH	BACKSET	DOOR THICKNESS	LOCK TYPE	DEAD BOLT TRIM	DESCRIPTION	LOCATION #	QTY.	PRICE QUOTED
		EXTERIOR	INTERIOR	EXTERIOR	INTERIOR											
1	BPA	LB60	LB60	EB40	EB40	B	D	R	238	138	SL			1	1	315.00
2	BPR	LB50	LB50	EB75	EB75	B	R	L	234	134	SL			2	1	354.00
3	BDU	KB60	KB60	EB50	EB50	W	L	L						3	1	234.00
4	BDU	LB50	N	EB55	N	W	M	R						4	1	131.00

**FUNCTION**

BPA = Builder Passage  
BPR = Builder Privacy  
BDU = Builder Dummy  
BHNG = Extruded Door Hinge

**HANDLE**

For a list of Levers and Knobs available for Builder Series Sets, see next page.

For specifications, refer to Page K1.

**ESCUTCHEONS**

For a list of Escutcheons available for Builder Series Sets, see next page.

For configurations, specifications, and pricing, refer to content of this section.

**METAL**

B = Silicon Bronze  
W = White Bronze

**PATINA**

L = Light  
M = Medium  
D = Dark  
R = Rust  
BB = Brushed  
DL = Dark Lustre  
HP = High Polished \*  
\*Up-charge applies.

**HANDING**

See Hinged Door Handing diagram, next page.

L = Left Hand  
R = Right Hand  
LR = Left Hand Reverse  
RR = Right Hand Reverse

**BACKSET**

238 = 2 3/8" SL  
212 = 2 1/2" ML  
234 = 2 3/4" SL  
234 = 2 3/4" ML  
N = No

**DOOR THICKNESS**

138 = 1 3/8"  
112 = 1 1/2"  
134 = 1 3/4"

Up-charge for sizes below.  
Call for pricing.

214 = 2 1/4"  
212 = 2 1/2"  
258 = 2 5/8"  
234 = 2 3/4"  
3 = 3"  
314 = 3 1/4"  
312 = 3 1/2"  
4 = 4"  
N = No

**LOCK TYPE**

Complete Sets  
SL = Spring Latch  
ML = Mortise Lock

**DEAD BOLT TRIM**

Not Applicable

**DESCRIPTION**

See Page Kii

**LOCATION #**

Room Number or Door Number, etc.

**QTY**

Number of each desired

**PRICE**

\$ List price each

**Sample Order / Cheat Sheet**

K Builder Series 2/2

**HANDLES**

- Levers**  
 LB30 = Small Reed Lever  
 LB50 = Small Beaver Tail Lever  
 LB60 = Small Olympus Lever  
 LB61 = Small Rail Lever  
 LB70 = Small Coupler Lever

- Knobs**  
 KB40 = Small Squash Knob  
 KB50 = Small Potato Knob  
 KB60 = Small Luna Knob

**ESCUTCHEONS**

- Arched**  
 EB70 = 2 1/2" x 3 3/4" Arched  
 EB75 = 2 1/2" x 6 1/2" Arched  
 EB76 = 2 1/2" x 6 1/2" Arched (TP)  
 EB77 = 2 1/2" x 6 1/2" Arched (ER)

- Curved**  
 EB80 = 2 1/2" x 3 3/4" Curved  
 EB85 = 2 1/2" x 6 1/2" Curved  
 EB86 = 2 1/2" x 6 1/2" Curved (TP)  
 EB87 = 2 1/2" x 6 1/2" Curved (ER)

- Metro**  
 EB20 = 2 1/2" x 3 3/4" Metro  
 EB25 = 2 1/2" x 6 1/2" Metro  
 EB26 = 2 1/2" x 6 1/2" Metro (TP)  
 EB27 = 2 1/2" x 6 1/2" Metro (ER)

- Rectangular**  
 EB50 = 2 1/2" x 3 3/4" Rect  
 EB55 = 2 1/2" x 6 1/2" Rect  
 EB56 = 2 1/2" x 6 1/2" Rect (TP)  
 EB57 = 2 1/2" x 6 1/2" Rect (ER)

- Stepped**  
 EB40 = 2 1/2" x 3 3/4" Stepped  
 EB45 = 2 1/2" x 6 1/2" Stepped  
 EB46 = 2 1/2" x 6 1/2" Stepped (TP)  
 EB47 = 2 1/2" x 6 1/2" Stepped (ER)

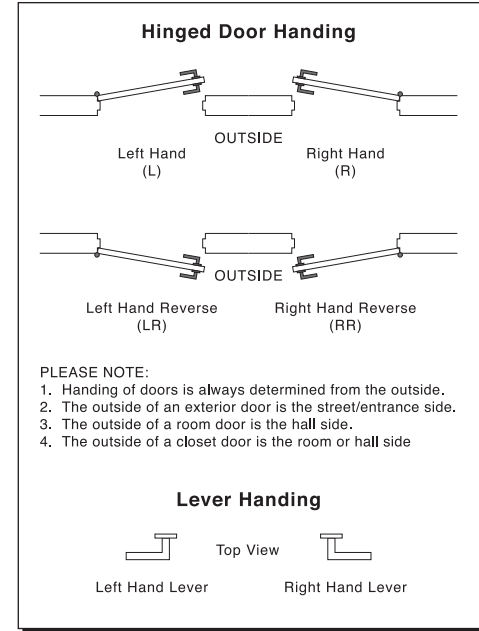
- Key**  
 (ER) = Emergency Release Escutcheon  
 (TP) = Turn Piece Escutcheon

**DESCRIPTION**

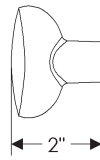
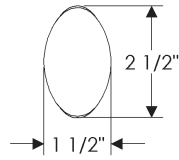
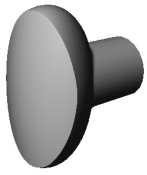
- 1/2" Barrel Extruded Hinges**  
 HNG3.5B = Plain Bearing Hinge, 3 1/2" x 3 1/2"  
 HNG4B = Plain Bearing Hinge, 4" x 4"  
 HNG4.5B = Plain Bearing Hinge, 4 1/2" x 4 1/2"

- Finial Caps**  
 XT50 = Finial Cap, 1/2" Standard  
 BT50 = Finial Cap, 1/2" Ball  
 AT50 = Finial Cap, 1/2" Acorn

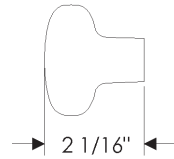
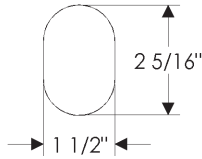
**HANDING**



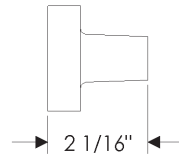
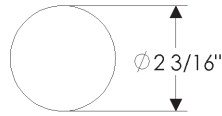
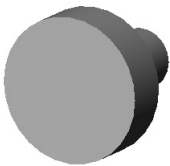
Knobs and Levers available for Builder Series combinations



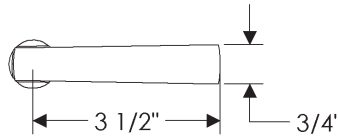
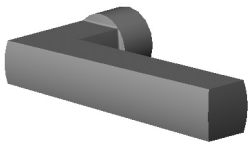
**KB40** Small Squash Knob



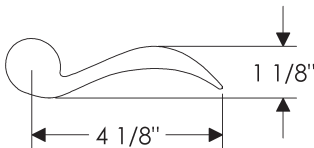
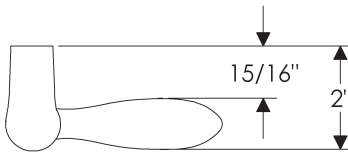
**KB50** Small Potato Knob



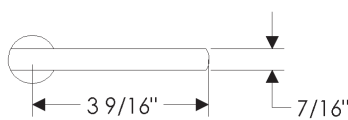
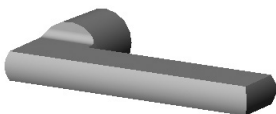
**KB60** Small Luna Knob



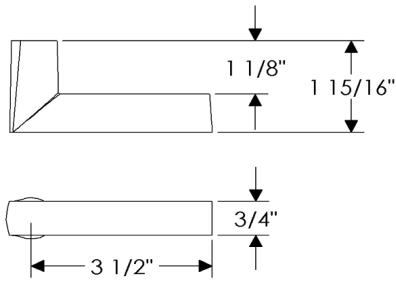
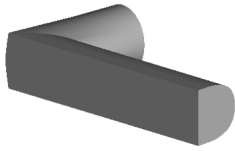
**LB30** Small Reed Lever



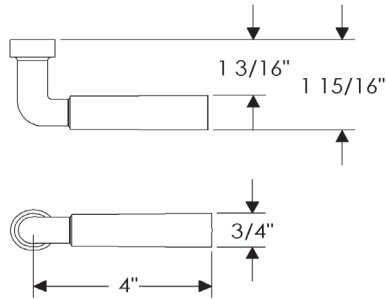
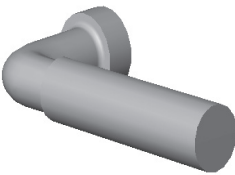
**LB50** Small Beaver Tail Lever



**LB60** Small Olympus Lever

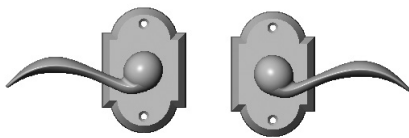
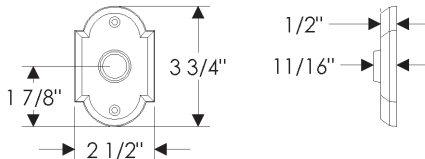
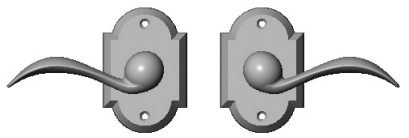


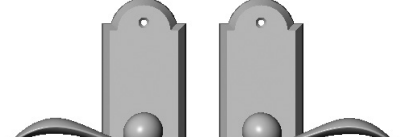
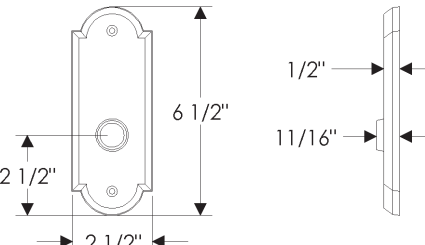
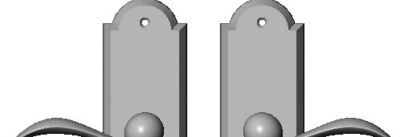
**LB61** Small Rail Lever

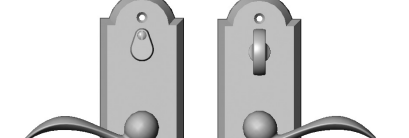
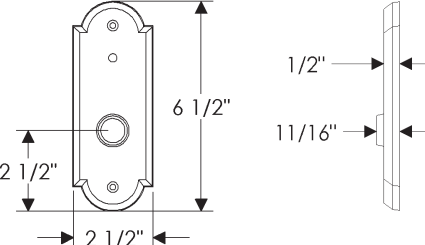


**LB70** Small Coupler Lever

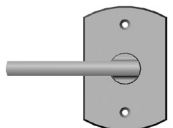
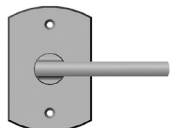
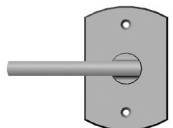
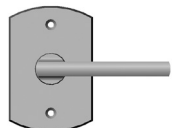
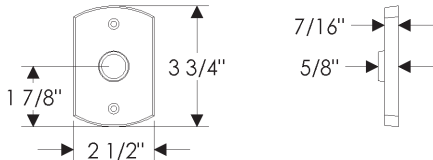
- Price includes your choice of any Builder Series knob or lever (KB40, KB50, KB60, LB30, LB50, LB60, LB61 or LB70).
- Combinations are shown with LB50 Small Beaver Tail Lever for illustration purposes only. Refer to page K1 for desired handle.
- Specify metal, patina, handing, backset, door thickness, and lock type.

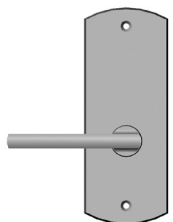
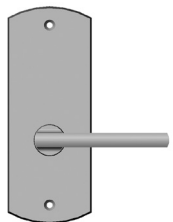
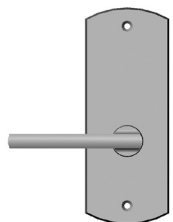
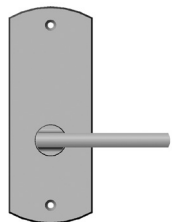
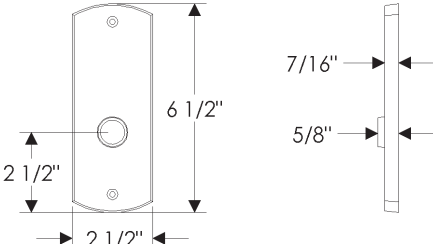
EXTERIOR	INTERIOR		EXTERIOR	INTERIOR
		<p><b>ARCHED ESCUTCHEONS</b> 2 1/2" x 3 3/4" Escutcheons</p> 		
	<p>EB70      EB70</p>			
<p>Passage Spring Latch ..... \$ 315.00 Privacy Spring Latch..... \$ 325.00</p>			<p>Single Dummy .....\$ 117.00 Full Dummy .....\$ 234.00</p>	

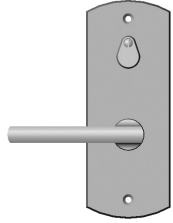
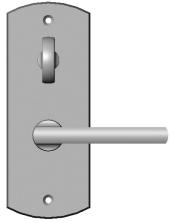


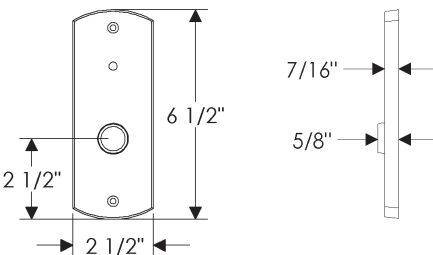
		<p><b>ARCHED ESCUTCHEONS</b> 2 1/2" x 6 1/2" Escutcheons</p> 		
	<p>EB75      EB75</p>			
<p>Passage Spring Latch ..... \$ 344.00 Passage Mortise Lock..... \$ 542.00 Privacy Spring Latch..... \$ 354.00</p>			<p>Single Dummy .....\$ 131.00 Full Dummy .....\$ 262.00</p>	

		
	<p>EB77      EB76</p>	
<p>Privacy Mortise Lock ..... \$ 674.00</p>		

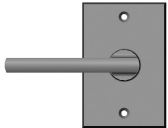
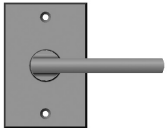
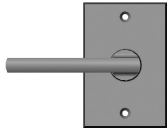
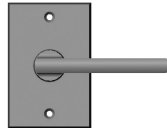
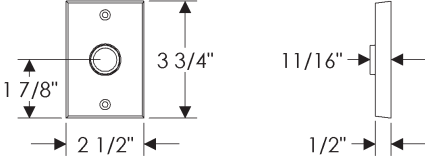
- Price includes your choice of any Builder Series knob or lever (KB40, KB50, KB60, LB30, LB50, LB60, LB61 or LB70).
- Combinations are shown with LB60 Small Olympus Lever for illustration purposes only. Refer to page K1 for desired handle.
- Specify metal, patina, handing, backset, door thickness, and lock type.

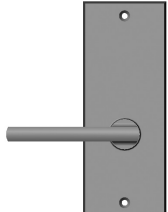
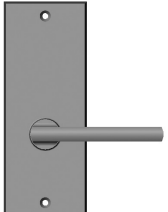
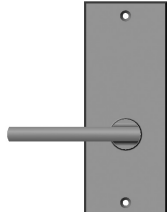
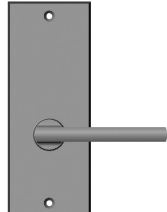
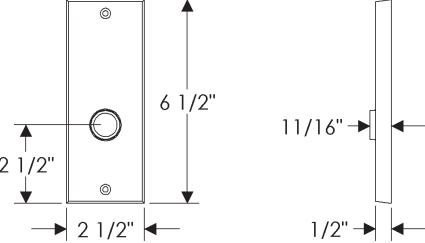
EXTERIOR	INTERIOR			EXTERIOR	INTERIOR
		<b>CURVED ESCUTCHEONS</b> 2 1/2" x 3 3/4" Escutcheons			
EB80	EB80			EB80	EB80
Passage Spring Latch .....	\$ 315.00			Single Dummy .....	\$ 117.00
Privacy Spring Latch .....	\$ 325.00			Full Dummy .....	\$ 234.00

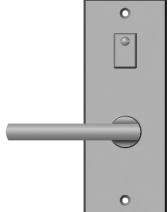
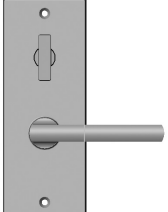
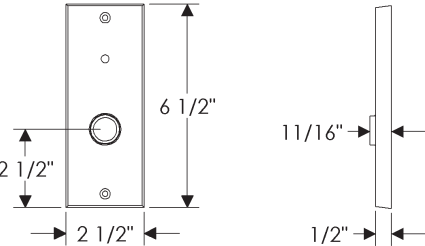
		<b>CURVED ESCUTCHEONS</b> 2 1/2" x 6 1/2" Escutcheons			
EB85	EB85			EB85	EB85
Passage Spring Latch .....	\$ 344.00			Single Dummy .....	\$ 131.00
Passage Mortise Lock .....	\$ 542.00			Full Dummy .....	\$ 262.00
Privacy Spring Latch .....	\$ 354.00				

		<b>CURVED ESCUTCHEONS</b> 2 1/2" x 6 1/2" Escutcheons			
EB87	EB86			EB86	EB87
Privacy Mortise Lock .....	\$ 674.00				

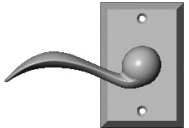
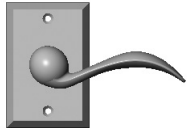
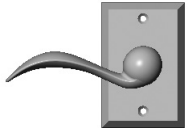
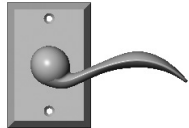
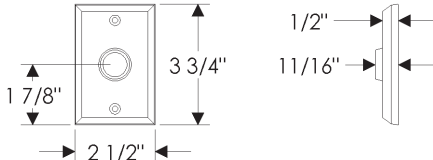
- Price includes your choice of any Builder Series knob or lever (KB40, KB50, KB60, LB30, LB50, LB60, LB61 or LB70).
- Combinations are shown with LB60 Small Olympus Lever for illustration purposes only. Refer to page K1 for desired handle.
- Specify metal, patina, handing, backset, door thickness, and lock type.

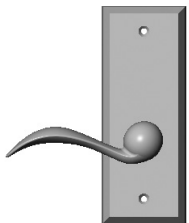
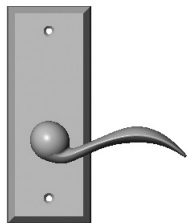
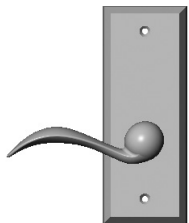
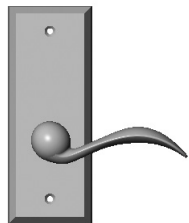
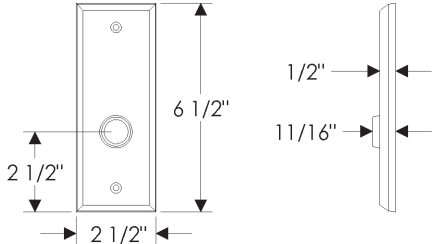
EXTERIOR	INTERIOR		EXTERIOR	INTERIOR
		<b>METRO ESCUTCHEONS</b> 2 1/2" x 3 3/4" Escutcheons		
EB20	EB20		EB20	EB20
Passage Spring Latch .....	\$ 315.00		Single Dummy .....	\$ 117.00
Privacy Spring Latch .....	\$ 325.00		Full Dummy .....	\$ 234.00

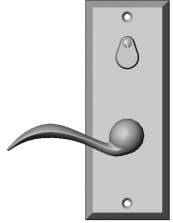
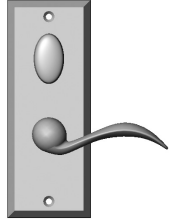
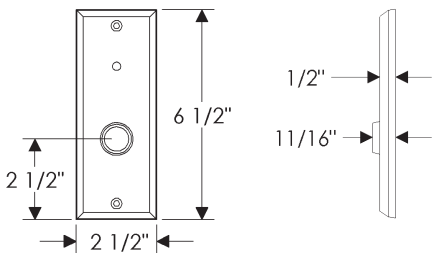
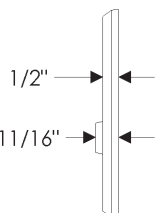
		<b>METRO ESCUTCHEONS</b> 2 1/2" x 6 1/2" Escutcheons		
EB25	EB25		EB25	EB25
Passage Spring Latch .....	\$ 344.00		Single Dummy .....	\$ 131.00
Passage Mortise Lock .....	\$ 542.00		Full Dummy .....	\$ 262.00
Privacy Spring Latch .....	\$ 354.00			

		
EB27	EB26	
Privacy Mortise Lock .....	\$ 674.00	

- Price includes your choice of any Builder Series knob or lever (KB40, KB50, KB60, LB30, LB50, LB60, LB61 or LB70).
- Combinations are shown with LB50 Small Beaver Tail Lever for illustration purposes only. Refer to page K1 for desired handle.
- Specify metal, patina, handing, backset, door thickness, and lock type.

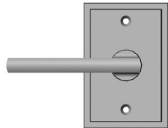
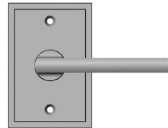
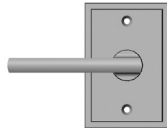
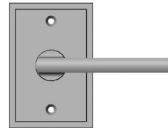
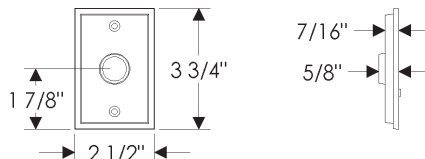
EXTERIOR	INTERIOR		EXTERIOR	INTERIOR
		<b>RECTANGULAR ESCUTCHEONS</b> 2 1/2" x 3 3/4" Escutcheons		
EB50	EB50		EB50	EB50
Passage Spring Latch .....	\$ 315.00		Single Dummy .....	\$ 117.00
Privacy Spring Latch.....	\$ 325.00		Full Dummy .....	\$ 234.00


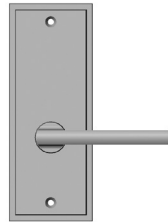

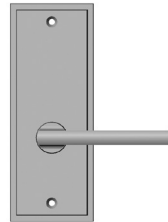
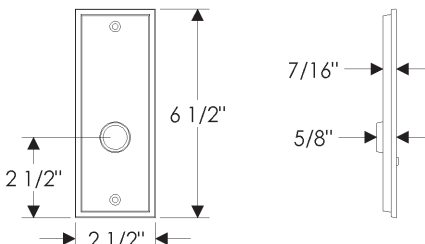
		<b>RECTANGULAR ESCUTCHEONS</b> 2 1/2" x 6 1/2" Escutcheons		
EB55	EB55		EB55	EB55
Passage Spring Latch .....	\$ 344.00		Single Dummy .....	\$ 131.00
Passage Mortise Lock.....	\$ 542.00		Full Dummy .....	\$ 262.00
Privacy Spring Latch.....	\$ 354.00			


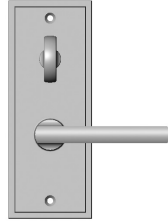


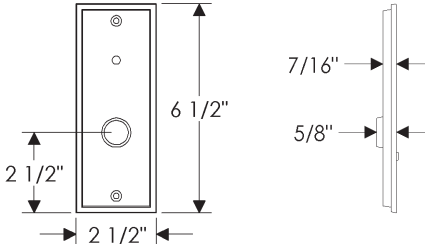
		
EB57	EB56	
Privacy Mortise Lock .....	\$ 674.00	



- Price includes your choice of any Builder Series knob or lever (KB40, KB50, KB60, LB30, LB50, LB60, LB61 or LB70).
- Combinations are shown with LB60 Small Olympus Lever for illustration purposes only. Refer to page K1 for desired handle.
- Specify metal, patina, handing, backset, door thickness, and lock type.

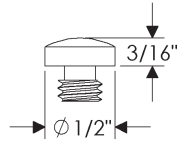
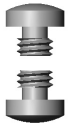
EXTERIOR	INTERIOR			EXTERIOR	INTERIOR
		<b>STEPPED ESCUTCHEONS</b> 2 1/2" x 3 3/4" Escutcheons			
EB40	EB40			EB40	EB40
Passage Spring Latch .....	\$ 315.00			Single Dummy .....	\$ 117.00
Privacy Spring Latch .....	\$ 325.00			Full Dummy .....	\$ 234.00

		<b>STEPPED ESCUTCHEONS</b> 2 1/2" x 6 1/2" Escutcheons			
EB45	EB45			EB45	EB45
Passage Spring Latch .....	\$ 344.00			Single Dummy .....	\$ 131.00
Passage Mortise Lock .....	\$ 542.00			Full Dummy .....	\$ 262.00
Privacy Spring Latch .....	\$ 354.00				

		<b>STEPPED ESCUTCHEONS</b> 2 1/2" x 6 1/2" Escutcheons			
EB47	EB46			EB46	EB46
Privacy Mortise Lock .....	\$ 674.00				

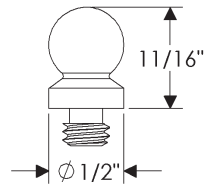
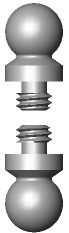
- Specify metal and patina.
- Two caps are included with hinge. Priced individually for replacement.
- Finial Caps shown on this page are compatible with Plain Bearing Extruded 1/2" Barrell Hinges.

Finial Caps—1/2" Barrel



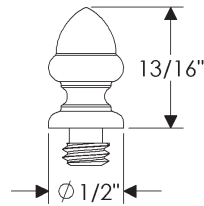
**XT50 Standard Finial Cap**

/ Each ..... \$ 46.00  
 / Pair ..... \$ 92.00



**BT50 Ball Finial Cap**

/ Each ..... \$ 46.00  
 / Pair ..... \$ 92.00

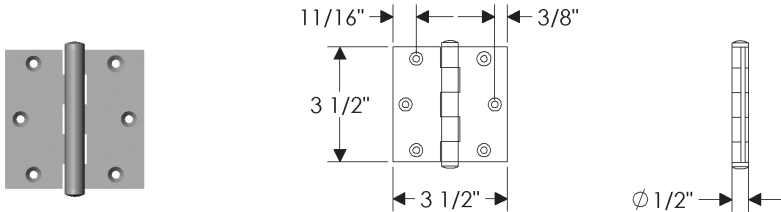


**AT50 Acorn Finial Cap**

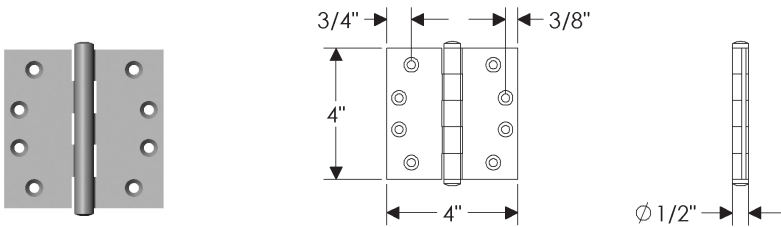
/ Each ..... \$ 46.00  
 / Pair ..... \$ 92.00

- Specify metal and patina.
- Price includes your choice of 1/2" Finial Caps.
- Hinge leaf thickness is .125. Unless otherwise specified.
- Each hinge is supplied with two 3" long and eight 1 1/4" long slotted screws. Flat-head Phillips screws available upon request.

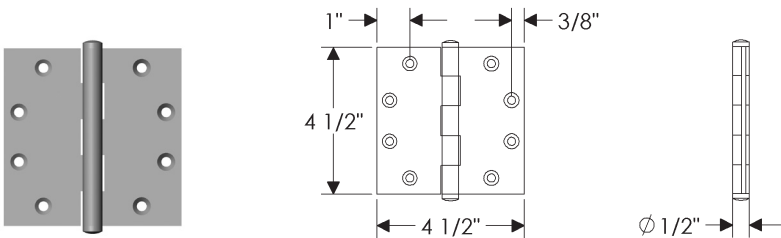
Plain Bearing Extruded Hinges—1/2" Barrel



**HNG3.5B Plain Bearing Extruded Hinge**  
 3 1/2" x 3 1/2" / Each ..... \$ 119.00



**HNG4B Plain Bearing Extruded Hinge**  
 4" x 4" / Each ..... \$ 130.00



**HNG4.5B Plain Bearing Extruded Hinge**  
 4 1/2" x 4 1/2" / Each ..... \$ 143.00



1020 Airport Way Hailey, Idaho 83333 USA  
toll free 888.788.2013 • ph. 208.788.2013 • fax 208.788.2577  
info@rockymountainhardware.com  
www.rockymountainhardware.com