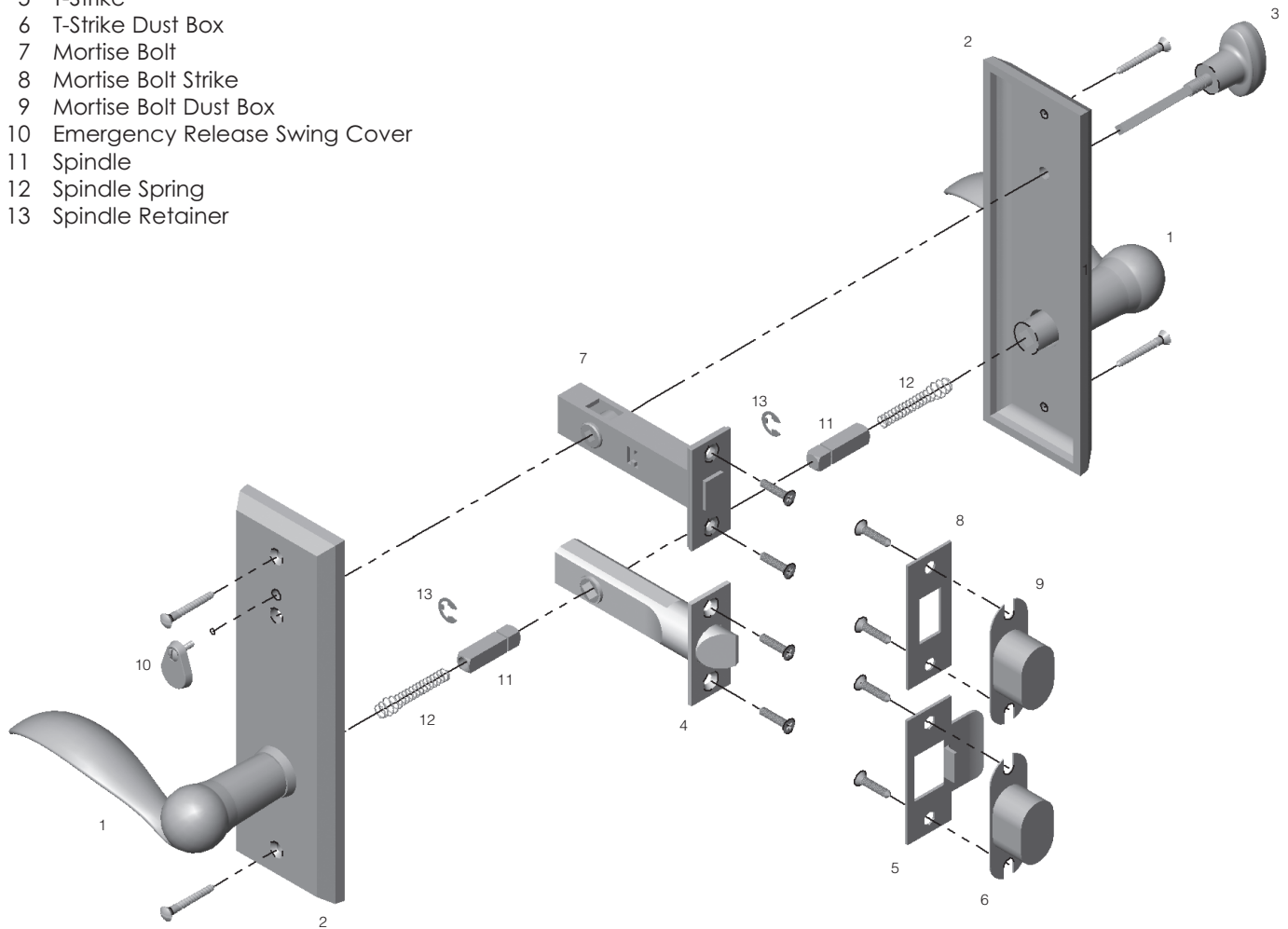


# ROCKY MOUNTAIN

H A R D W A R E

## Privacy Spring Latch / Mortise Bolt - Lever to Lever

- 1 Lever
- 2 Escutcheon
- 3 Turn Piece
- 4 Spring Latch
- 5 T-Strike
- 6 T-Strike Dust Box
- 7 Mortise Bolt
- 8 Mortise Bolt Strike
- 9 Mortise Bolt Dust Box
- 10 Emergency Release Swing Cover
- 11 Spindle
- 12 Spindle Spring
- 13 Spindle Retainer



Note: Cut Shank on Turn Piece so that it goes halfway through the Mortise Bolt. This will allow a space for the emergency release key to operate the Mortise Bolt.

# ROCKY MOUNTAIN

H A R D W A R E

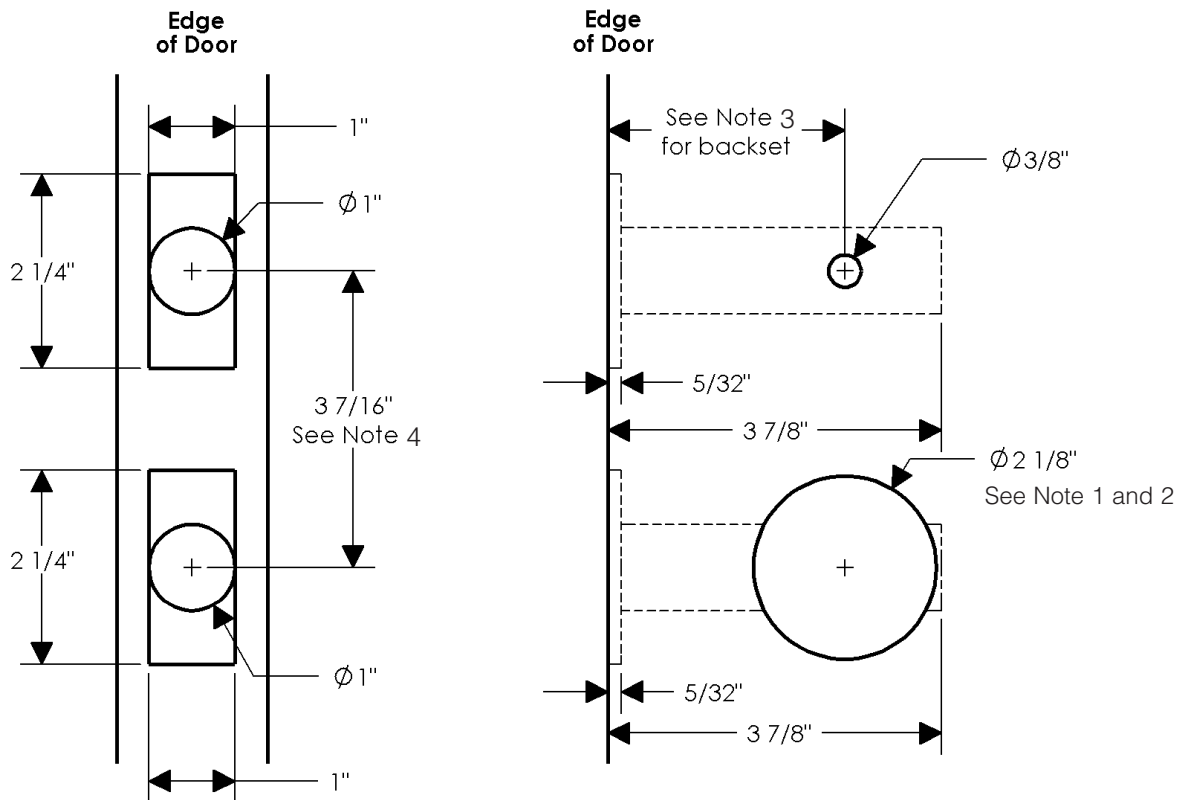
## DOOR PREPARATORY SPECIFICATIONS

### Privacy Spring Latch/Mortise Bolt - Interior & Exterior

Not Applicable to Edge, Element, or Bluetooth Options

Notes:

1. This face bore does not work for E101, E103, E201, E202, E204, E205, E207, E208, E211, E212, E415, E416, E417, E418, E589, E821, E822, E10520, E10820, E10877, E10878, E30303, E30802, E30803 and E10203. These escutcheons require a 7/8" face bore.
2. This face bore does not work for E10016 or E10017. These escutcheons require a 1 5/8" face bore offset 1/8" down from center of spring latch.
3. This bore specification is applicable for 2 3/8" or 2 3/4" backset spring latches/mortise bolts.
4. This center-to-center dimension may change with escutcheon selection.



# ROCKY MOUNTAIN

H A R D W A R E

## DOOR PREPARATORY SPECIFICATIONS

### Strike - Privacy Spring Latch/Mortise Bolt

Notes:

1. This dimension is 1/2 of door thickness, eg., 1 3/4" divided by 2 = 7/8". This dimension will have to be adjusted for different door thicknesses and unusual jamb or door conditions.
2. This center-to-center dimension may be changed with escutcheon selection.

