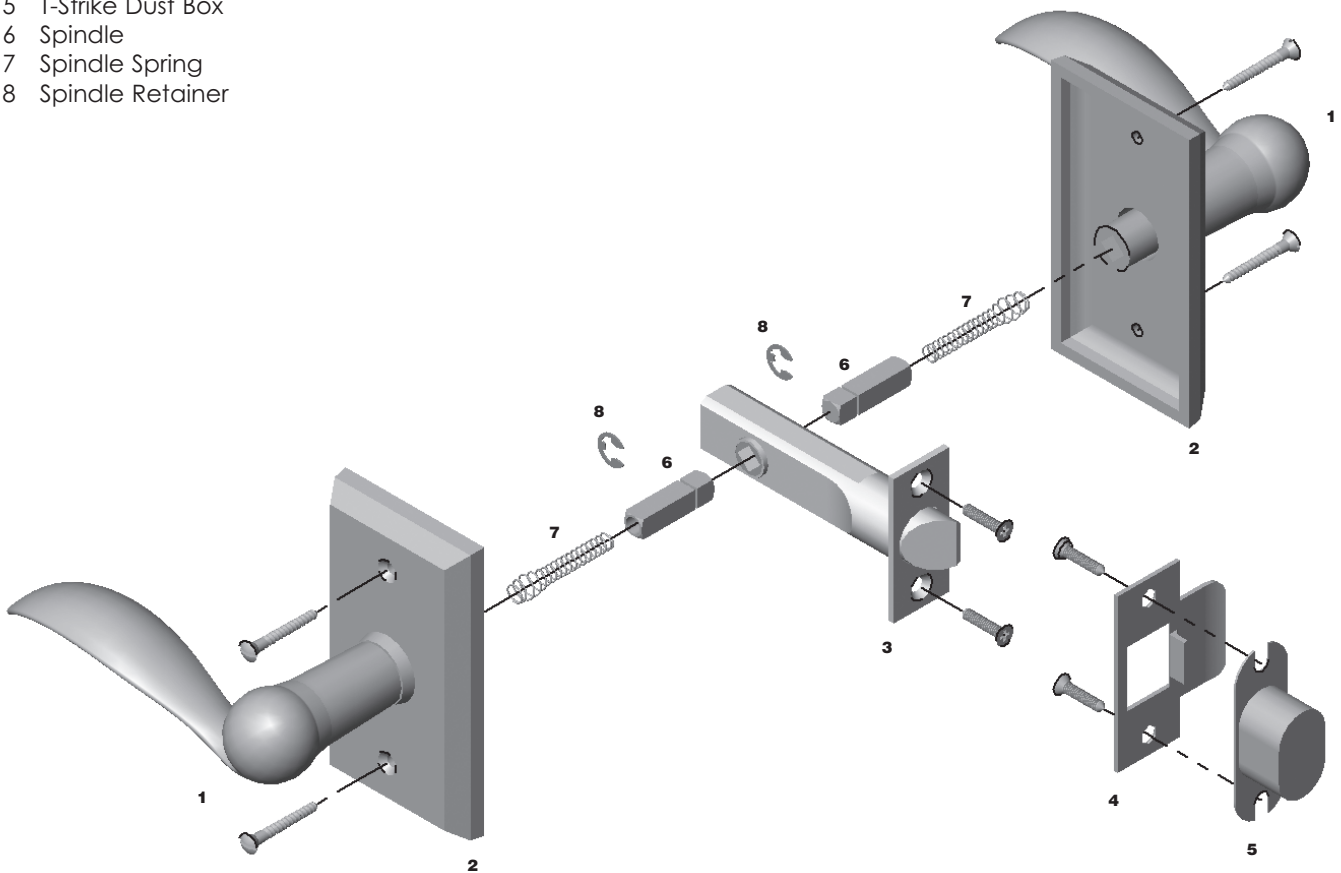


ROCKY MOUNTAIN

H A R D W A R E

Passage Spring Latch - Lever to Lever

- 1 Lever
- 2 Escutcheon
- 3 Spring Latch
- 4 T-Strike
- 5 T-Strike Dust Box
- 6 Spindle
- 7 Spindle Spring
- 8 Spindle Retainer



ROCKY MOUNTAIN

H A R D W A R E

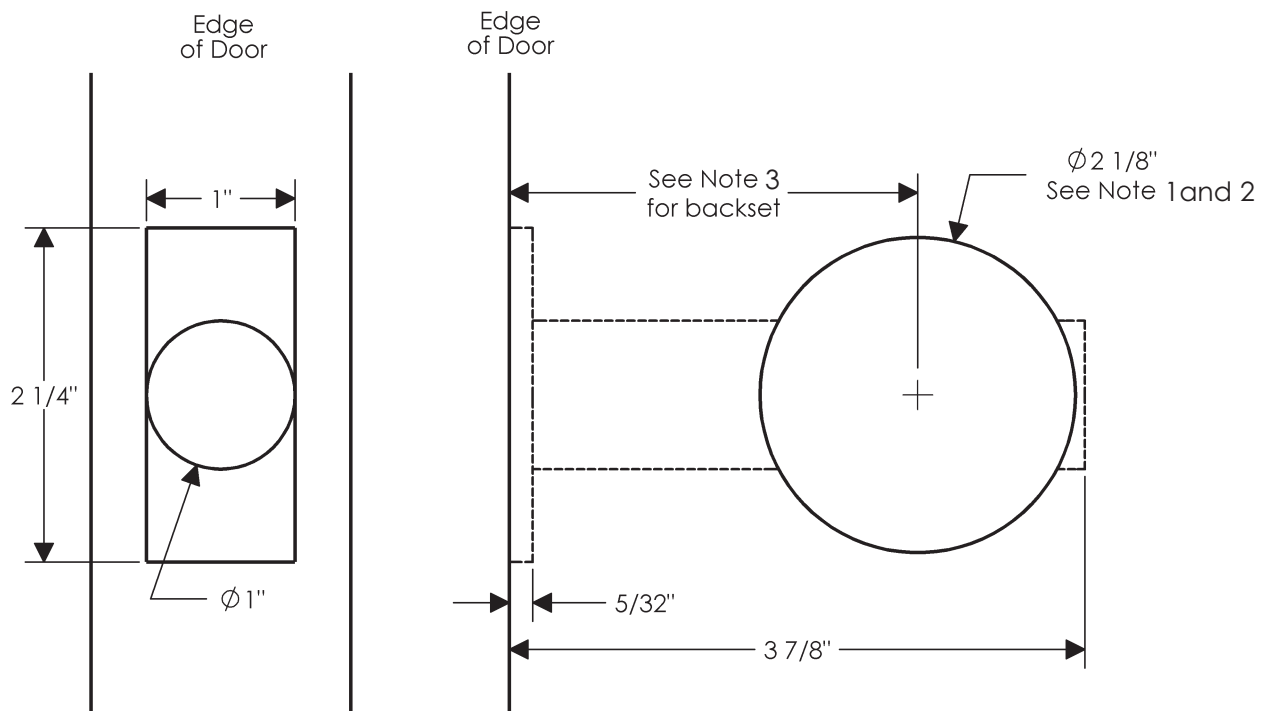
DOOR PREPARATORY SPECIFICATIONS

Passage Spring Latch - Interior & Exterior

Not Applicable to Edge, Element, or Bluetooth Options

Notes:

1. This face bore does not work for E101, E103, E201, E202, E204, E205, E206, E210, E415, E416, E417, E418, E589, E820, E828, E10520, E10820, E10871, E30303, E30802, E30803 and E10203. These escutcheons require a 7/8" face bore.
2. This face bore does not work for E10010 or E10015. These escutcheons require a 1 5/8" face bore offset 1/8" down from center of spring latch.
3. This bore specification is applicable for 2 3/8" or 2 3/4" backset spring latches.



ROCKY MOUNTAIN

H A R D W A R E

DOOR PREPARATORY SPECIFICATIONS

Strike - T-Strike

Notes:

1. This dimension is 1/2 of door thickness, eg., 1 3/4" divided by 2 = 7/8". This dimension will have to be adjusted for different door thicknesses and unusual jamb or door conditions.

