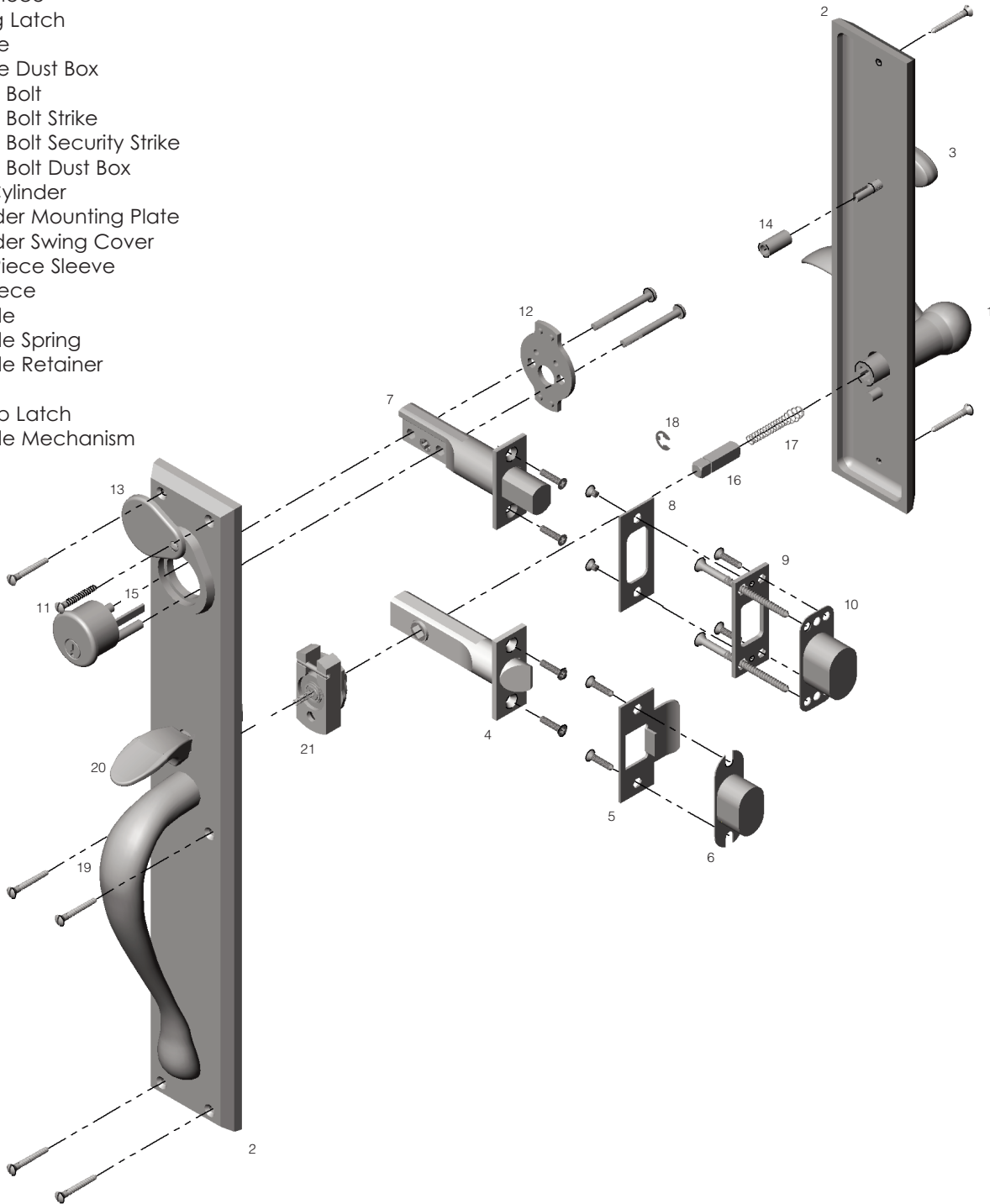


ROCKY MOUNTAIN

H A R D W A R E

Entry Spring Latch / Dead Bolt - Grip to Lever

- 1 Lever
- 2 Escutcheon
- 3 Turn Piece
- 4 Spring Latch
- 5 T-Strike
- 6 T-Strike Dust Box
- 7 Dead Bolt
- 8 Dead Bolt Strike
- 9 Dead Bolt Security Strike
- 10 Dead Bolt Dust Box
- 11 Rim Cylinder
- 12 Cylinder Mounting Plate
- 13 Cylinder Swing Cover
- 14 Turn Piece Sleeve
- 15 Tail Piece
- 16 Spindle
- 17 Spindle Spring
- 18 Spindle Retainer
- 19 Grip
- 20 Thumb Latch
- 21 Spindle Mechanism

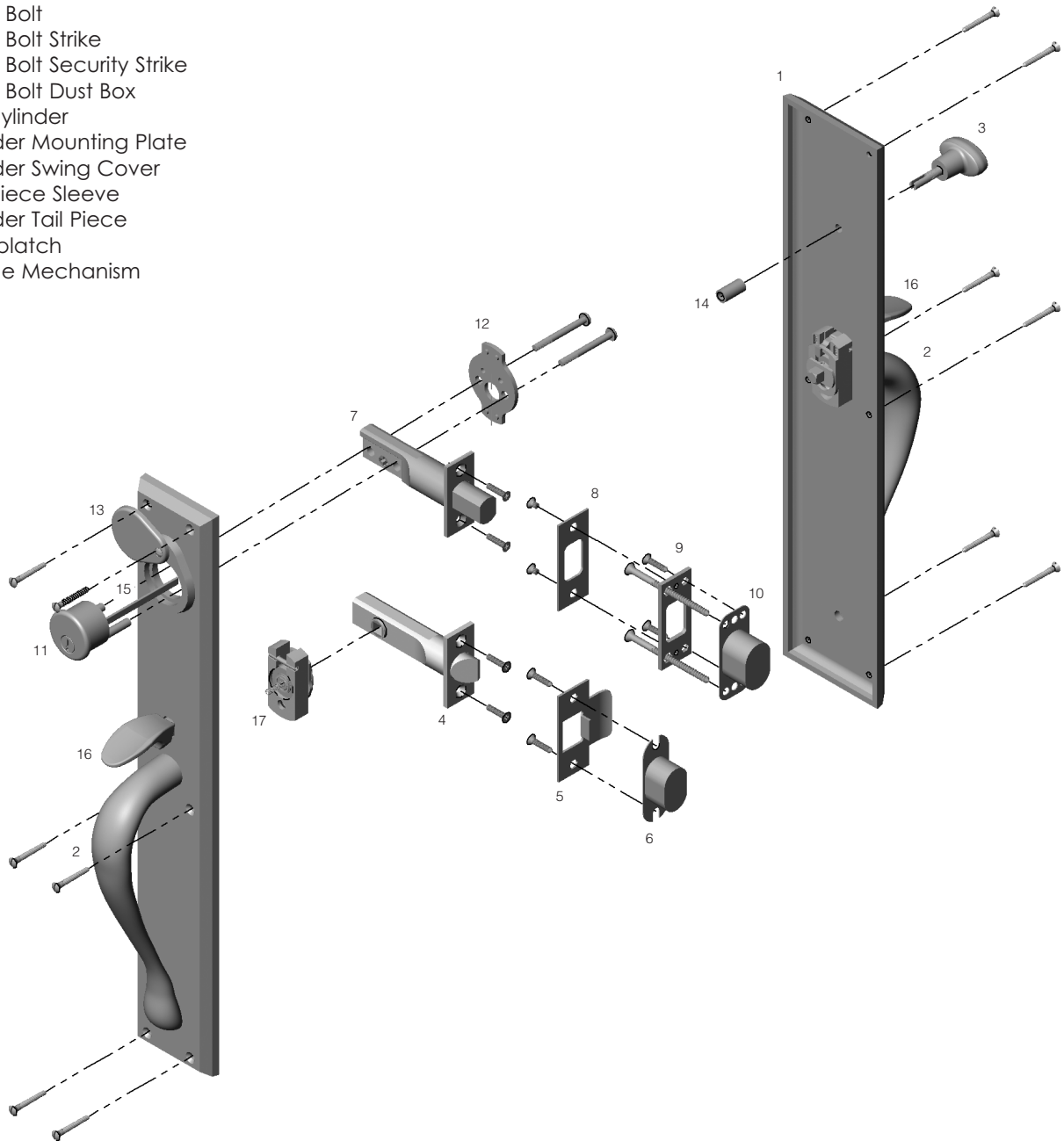


ROCKY MOUNTAIN

H A R D W A R E

Entry Spring Latch / Dead Bolt - Grip to Grip

- 1 Escutcheon
- 2 Grip
- 3 Turn Piece
- 4 Spring Latch
- 5 T-Strike
- 6 T-Strike Dust Box
- 7 Dead Bolt
- 8 Dead Bolt Strike
- 9 Dead Bolt Security Strike
- 10 Dead Bolt Dust Box
- 11 Rim Cylinder
- 12 Cylinder Mounting Plate
- 13 Cylinder Swing Cover
- 14 Turn Piece Sleeve
- 15 Cylinder Tail Piece
- 16 Thumbatch
- 17 Spindle Mechanism

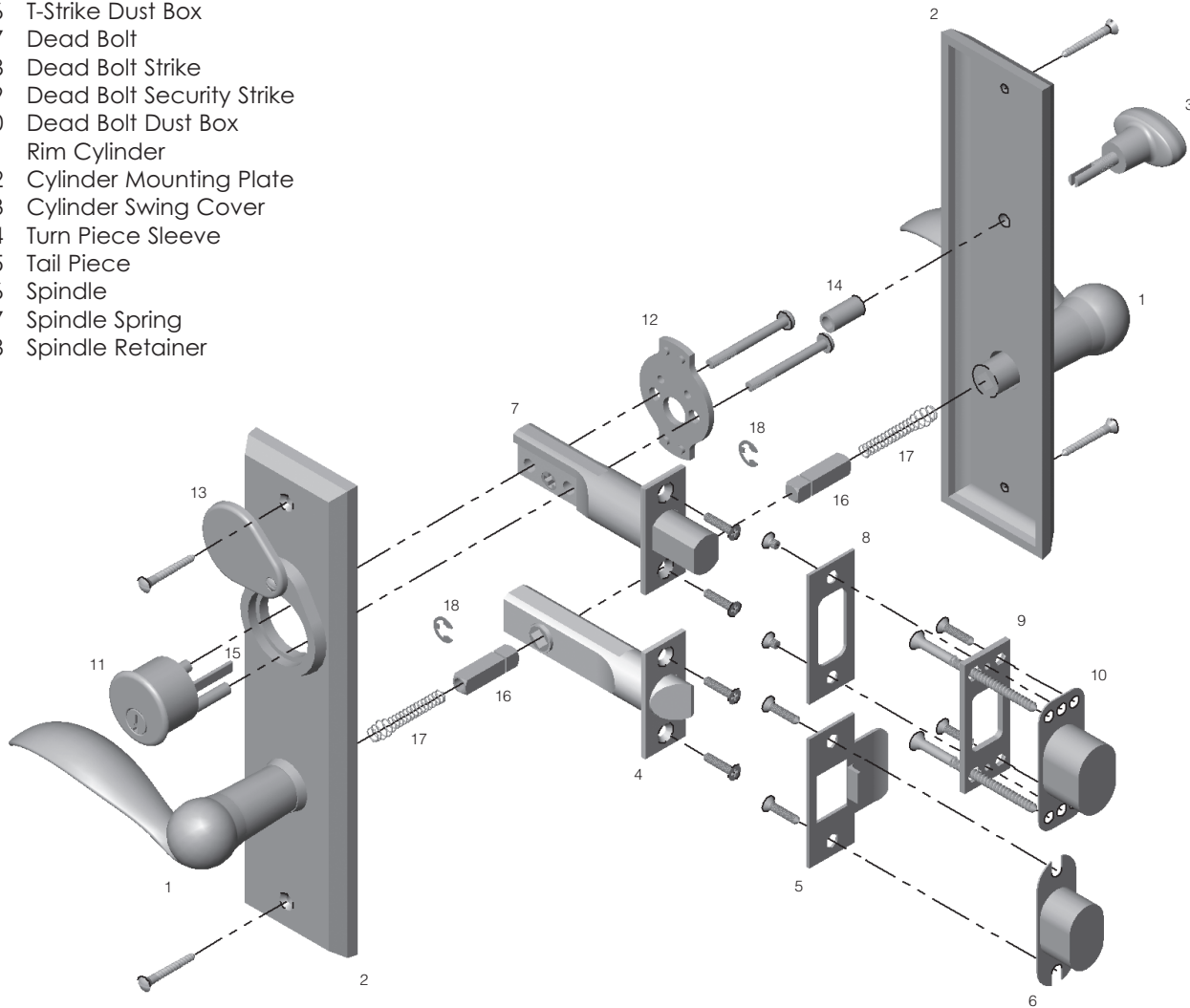


ROCKY MOUNTAIN

H A R D W A R E

Entry Spring Latch / Dead Bolt - Lever to Lever

- 1 Lever
- 2 Escutcheon
- 3 Turn Piece
- 4 Spring Latch
- 5 T-Strike
- 6 T-Strike Dust Box
- 7 Dead Bolt
- 8 Dead Bolt Strike
- 9 Dead Bolt Security Strike
- 10 Dead Bolt Dust Box
- 11 Rim Cylinder
- 12 Cylinder Mounting Plate
- 13 Cylinder Swing Cover
- 14 Turn Piece Sleeve
- 15 Tail Piece
- 16 Spindle
- 17 Spindle Spring
- 18 Spindle Retainer



ROCKY MOUNTAIN H A R D W A R E

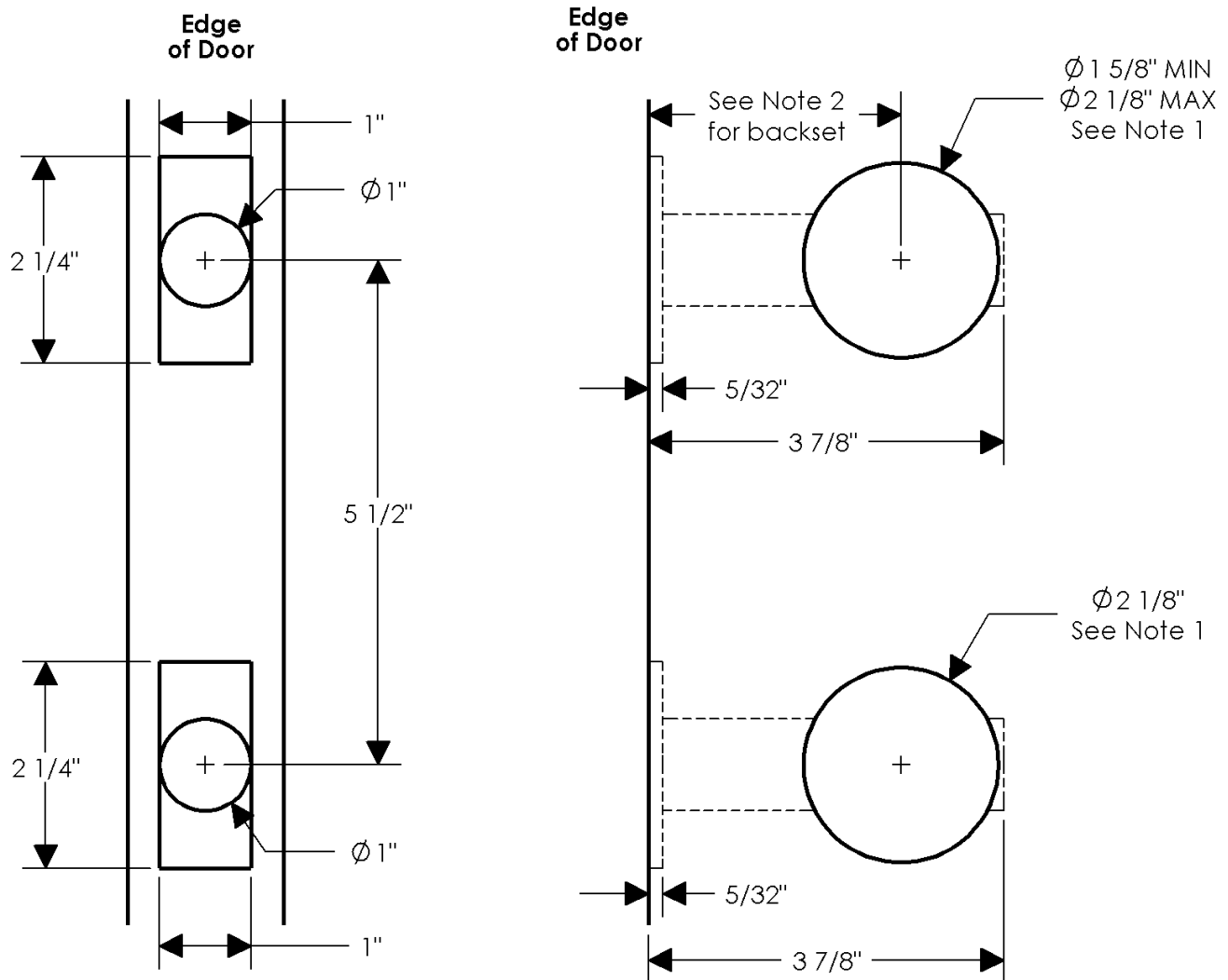
DOOR PREPARATORY SPECIFICATIONS

Entry Spring Latch/Dead Bolt 5 1/2" Center to Center - Interior & Exterior

Not Applicable to Edge, Element, or Bluetooth Options

Notes:

1. This face bore requires escutcheons 2 1/2" or wider.
2. This bore specification is applicable for 2 3/8" or 2 3/4" backset spring latch/dead bolts.





DOOR PREPARATORY SPECIFICATIONS

Strike - Entry Spring Latch/Dead Bolt 5 1/2" Center to Center

Notes:

1. This dimension is 1/2 of door thickness, eg., 1 3/4" divided by 2 = 7/8". This dimension will have to be adjusted for different door thicknesses and unusual jamb or door conditions.

