

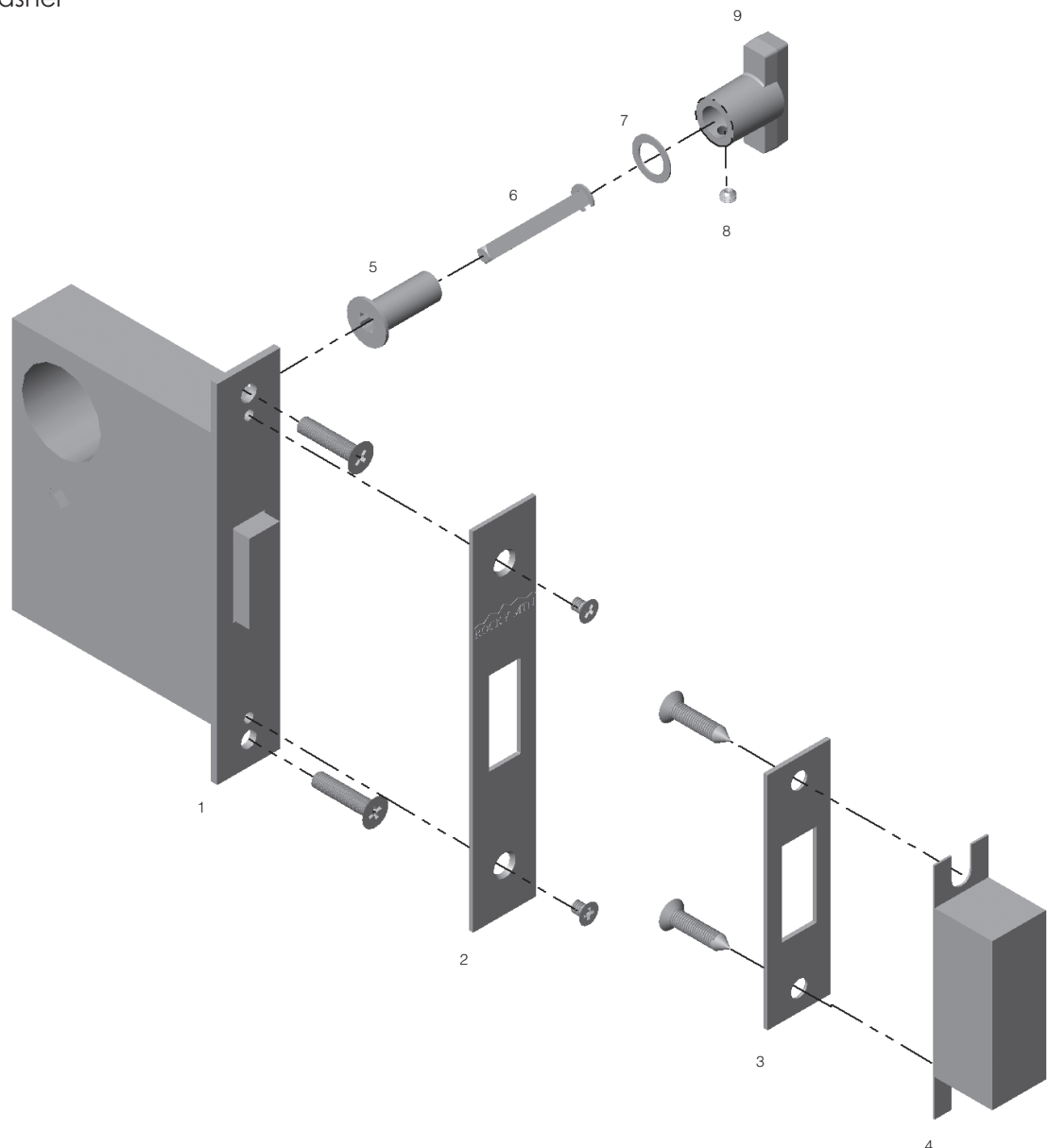
ROCKY MOUNTAIN

H A R D W A R E

ELEMENT COLLECTION - DOOR PREPARATORY SPECIFICATIONS

Element Patio 9500 Series Dead Lock

- 1 Mortise Dead Lock
- 2 Scalp
- 3 Mortise Lock Strike
- 4 Mortise Lock Dust Box
- 5 Turn Piece Adapter
- 6 Turn Piece Insert
- 7 Turn Piece Washer
- 8 Set Screw
- 9 Turn Piece





Element 9500 Series Dead Lock Installation Instructions

1. Mark the Door

Determine the height of the dead lock on the door. **Layout the escutcheon on the door before boring to confirm it is placed at the appropriate height for the size of the escutcheon/door.**

2. Compare Lock, Hardware Trim and Door Conditions

Verify that the stile width is adequate to accept the mortise dead lock and hardware trim. Confirm the hardware trim does not interfere with the door stop or the astragal and does not overlap the door panel or glass.

3. Mortising Lock Cavity

Refer to the Door Preparatory Specifications sheets for the specific dimensions of the cavity. Mortise the cavity. Please note on (Entry Function only) doors thicker than 3.5" the placement of the mortise dead lock may need to be offset to the keyed side in order to accommodate a maximum mortise cylinder length of 2.25.

4. Mortising Lock Front

Refer to the Door Preparatory Specifications sheets for the specific dimensions of the lock front mortise. Mortise the edge of the door for lock front.

5. Mark Face of Door

Use the Door Preparatory Specifications sheets to determine the appropriate size and locations of the holes on the face of the door for the lock and hardware trim. Please note the correct backset.

6. Drill Holes

Verify all dimensions and locations from Step 5, then drill the holes.

7. Adjust Bevel and Install Lock

To adjust the bevel, loosen the screws on the top and bottom of the lock body behind the lock front. Do not remove the screws. The lock front can rotate so that the bevel on the lock front matches the bevel on the edge of the door. Once the bevels match, tighten the screws so that the lock front is held in place. Insert the lock in the door. With the lock centered in the cavity verify the turn piece port is perfectly centered in the face bore. This is very critical to avoid binding. (If the bevel is set properly, the body of the lock will be square to the door and centered in the cavity. Every mortise lock must be centered in the cavity and the bevel properly adjusted to ensure a correct installation. Failure to center the lock or adjust the bevel will lead to an incorrect installation.) Mark the center locations for the mortise lock mounting screws or use a vix bit or other self-centering drill bit for drilling the pilot holes. Remove the lock and insert the brass turn piece adapter from inside the lock cavity then re-install the lock in the door.



Element 9500 Series Dead Lock Installation Instructions (continued)

8. Install Cylinder (when applicable)

Rotate the swing cover so the cylinder with wave washer can be placed through the cylinder trim. Insert the key half way into the cylinder and carefully thread the cylinder through the cylinder trim, into the lock. Tighten and loosen the cylinder into the lock so that the Rocky Mtn. logo is right side up, and the cylinder face does not interfere with the swing cover. Tighten the cylinder set screw so that it holds the cylinder firmly in place. Do not over tighten the cylinder or the set screws.

9. Attach Interior Lock Trim

Install insert through turnpiece adapter into mortise dead lock. Install turnpiece and washer over adapter and tighten set screw.

10. Install Scalp

Attach the finished scalp to the lock front.

11. Strike Installation

Use the Door Preparatory Specifications sheets to determine the proper location of the strike. Mortise the jamb or astragal to the proper depth to accept the strike and dust box. Install strike and dust box.

General Notes

1. Make sure all door conditions are compatible with the lock mechanism and lock trim before drilling or mortising the door. If there are any issues with the lock or trim, please contact the Distributor that provided the hardware immediately.
2. **DO NOT OPEN THE MORTISE DEAD LOCK BODY FOR ANY REASON.** All warranties will be voided if the lock body, is opened and a replacement lock will have to be purchased at full price.
3. Hardware should be removed from door before painting or finishing of the door. Allow finish to fully cure before reinstalling hardware. Refer to paint manufacturer for instructions and curing times.
4. The dead bolt can be thrown or retracted by the turn piece on the interior side of the door or the key (when applicable) from the exterior side of the door. Door is locked when bolt is thrown and unlocked when retracted. There is no latch to keep the door closed when unlocked.



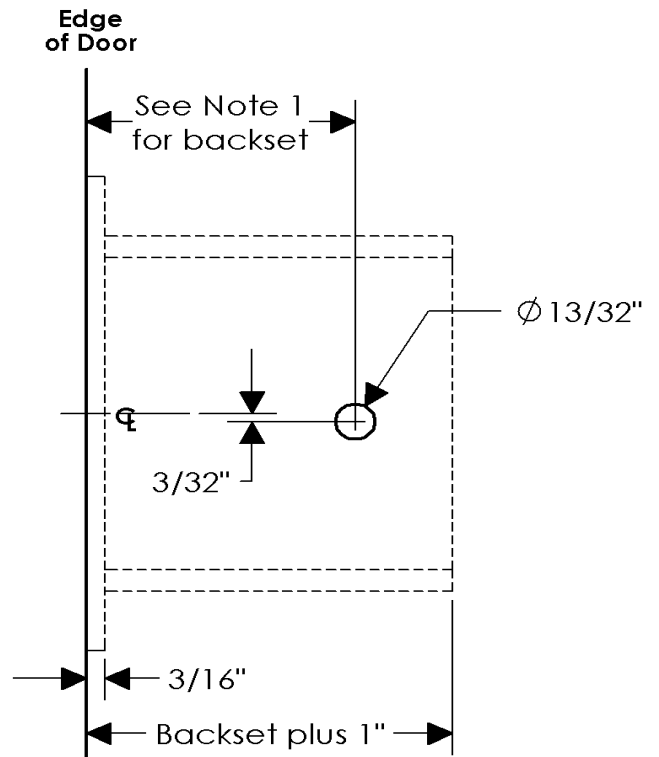
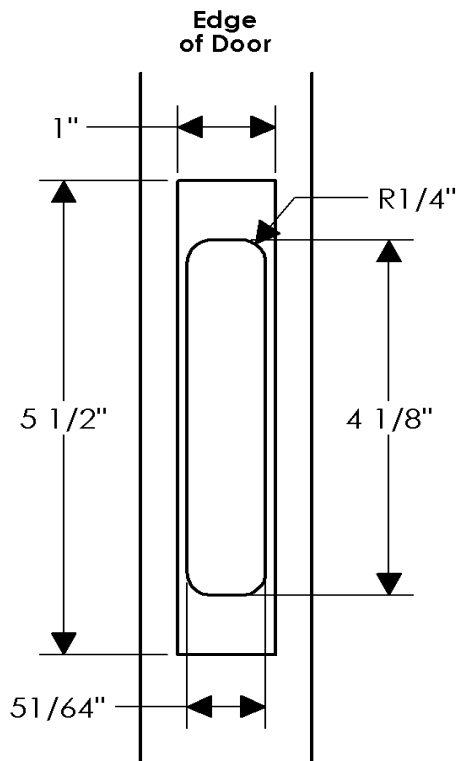
ELEMENT COLLECTION - DOOR PREPARATORY SPECIFICATIONS

Patio 9500 Series Dead Lock - Interior

Not Applicable to Edge, or Bluetooth Options

Notes:

1. This bore specification is applicable for 2 1/2" or 2 3/4" backset mortise locks.
2. A 1 3/4" minimum door thickness is applicable.
3. Door prep applicable to Accurate 9500 Series Dead lock





ELEMENT COLLECTION - DOOR PREPARATORY SPECIFICATIONS

Strike - 9500 Series Dead Lock

Not Applicable to Edge, or Bluetooth Options

Notes:

1. This dimension is 1/2 of door thickness, eg., 1 3/4" divided by 2 = 7/8". This dimension will have to be adjusted for different door thicknesses and unusual jamb or door conditions.

