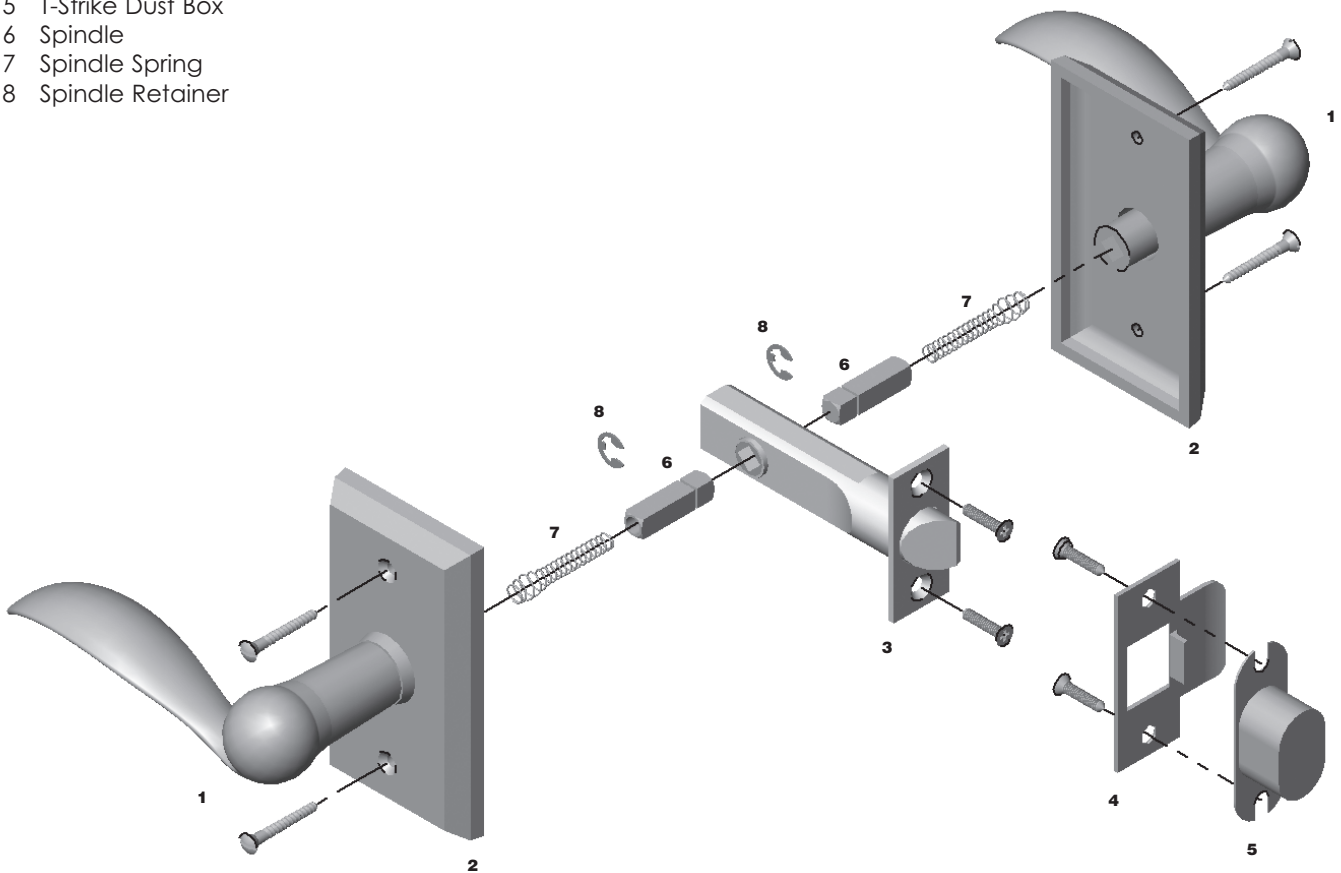


# ROCKY MOUNTAIN

H A R D W A R E

## Passage Spring Latch - Lever to Lever

- 1 Lever
- 2 Escutcheon
- 3 Spring Latch
- 4 T-Strike
- 5 T-Strike Dust Box
- 6 Spindle
- 7 Spindle Spring
- 8 Spindle Retainer



# ROCKY MOUNTAIN

H A R D W A R E

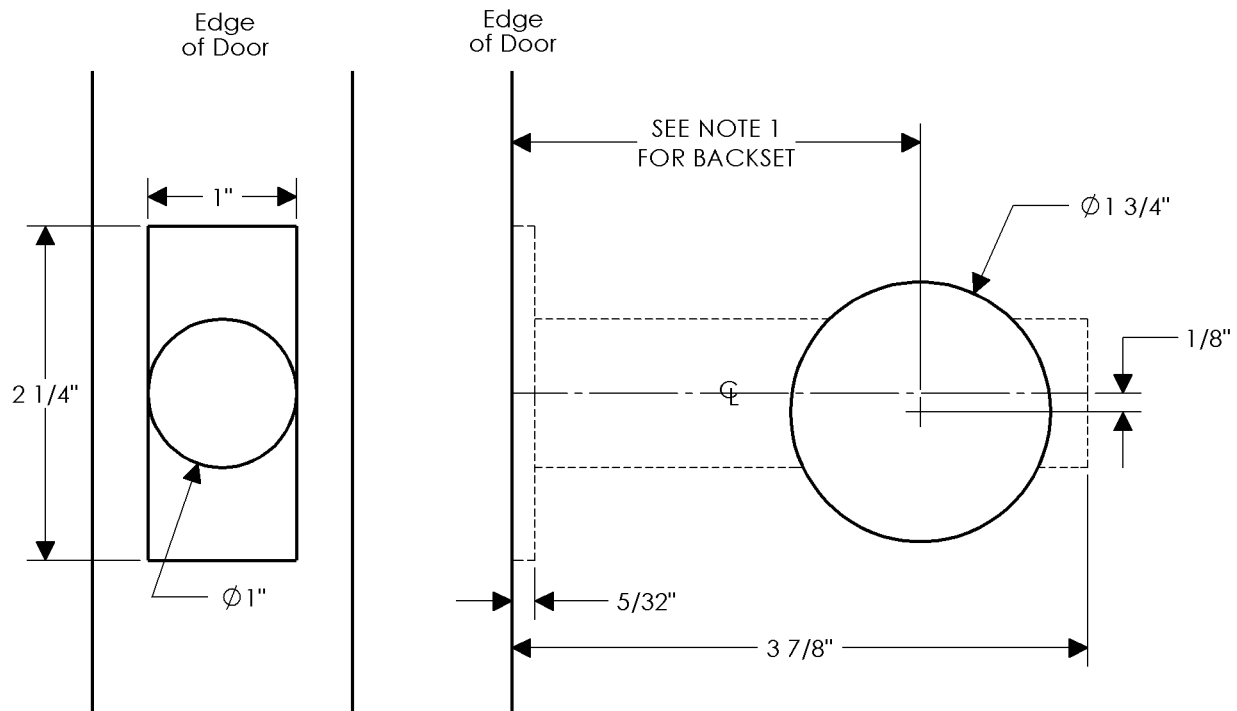
## EDGE COLLECTION - DOOR PREPARATORY SPECIFICATIONS

### Passage Spring Latch - Interior & Exterior

Not Applicable to Element, or Bluetooth Options

Notes:

1. This bore specification is applicable for 2 3/8" or 2 3/4" backset spring latches.
2. 1 3/4" minimum door thickness.



# ROCKY MOUNTAIN

H A R D W A R E

## EDGE COLLECTION - DOOR PREPARATORY SPECIFICATIONS

### Strike - T-Strike

#### Notes:

1. This dimension is 1/2 of door thickness, eg., 1 3/4" divided by 2 = 7/8". This dimension will have to be adjusted for different door thicknesses and unusual jamb or door conditions.
2. 1 3/4" minimum door thickness.

