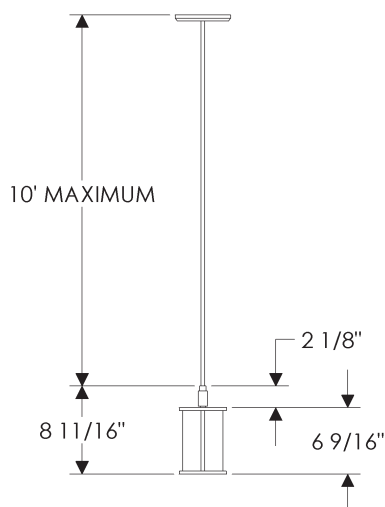
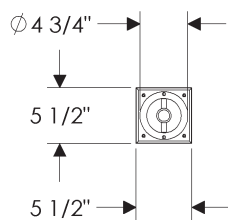


ROCKY MOUNTAIN®

H A R D W A R E



PE450
Bravo Pendant
 $4 \frac{3}{4}$ " x $4 \frac{3}{4}$ " x $128 \frac{11}{16}$ "