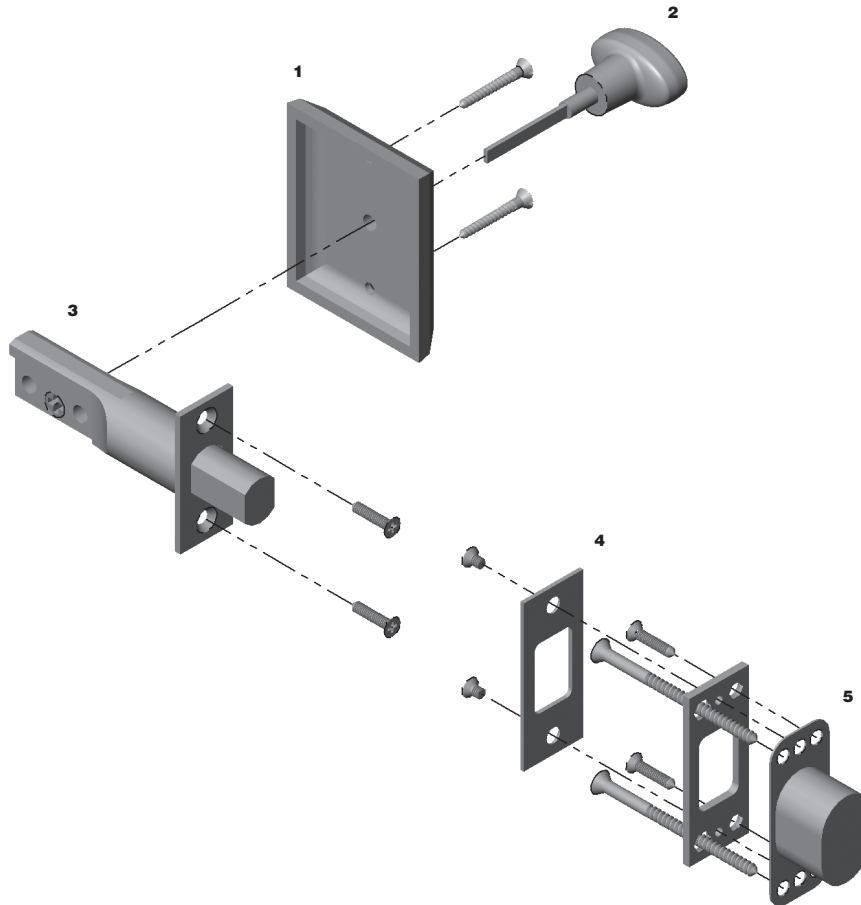


ROCKY MOUNTAIN

H A R D W A R E

Patio Dead Bolt

- 1 Escutcheon
- 2 Turn Piece
- 3 Dead Bolt
- 4 Bolt Strike
- 5 Dead Bolt Dust Box



ROCKY MOUNTAIN

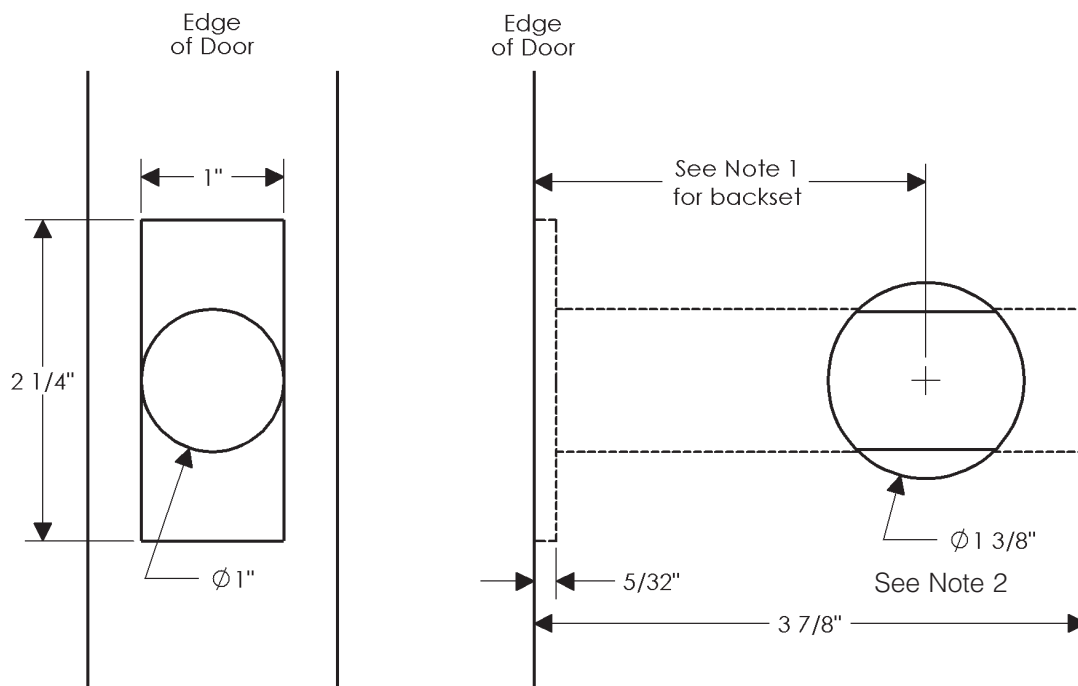
H A R D W A R E

DOOR PREPARATORY SPECIFICATIONS

Patio Dead Bolt - Interior Only

Notes:

1. This bore specification is applicable for 2 3/8" or 2 3/4" backset dead bolts.
2. This face bore does not work for IP203 and IP205. These escutcheons require a 5/8" face bore offset 7/32" down from center line of deadbolt. See Patio Deadbolt for IP203 and IP205.
3. **PREP INTERIOR SIDE ONLY. DO NOT BORE THROUGH DOOR.**



ROCKY MOUNTAIN

H A R D W A R E

DOOR PREPARATORY SPECIFICATIONS

Strike - Dead Bolt

Notes:

1. This dimension is 1/2 of door thickness, eg., 1 3/4" divided by 2 = 7/8". This dimension will have to be adjusted for different door thicknesses and unusual jamb or door conditions.

