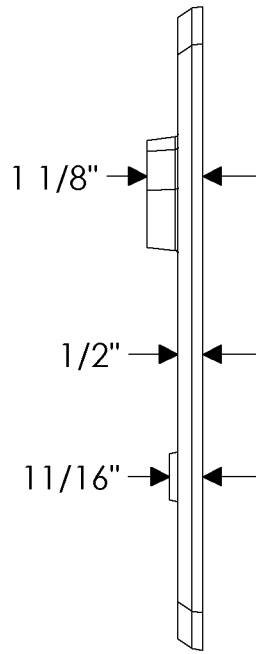
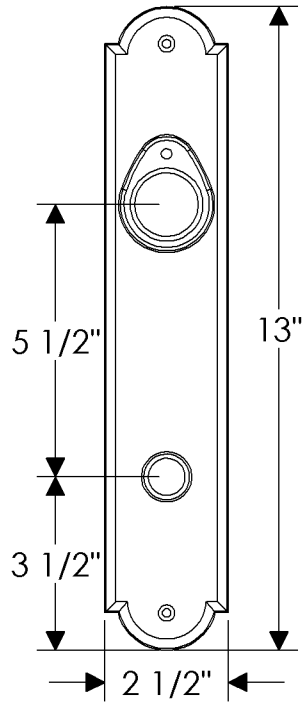
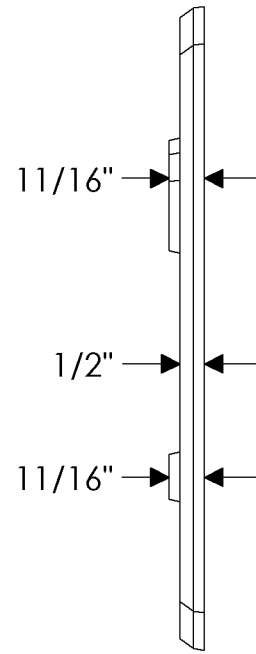


Level Bolt - Arched Deadbolt
DB508

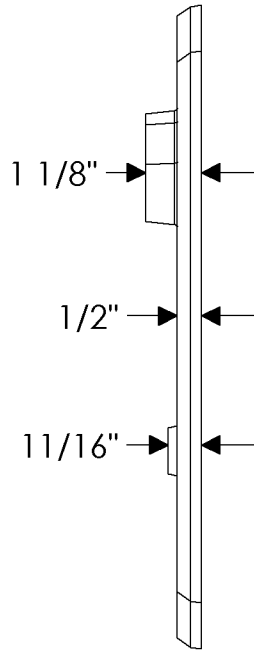
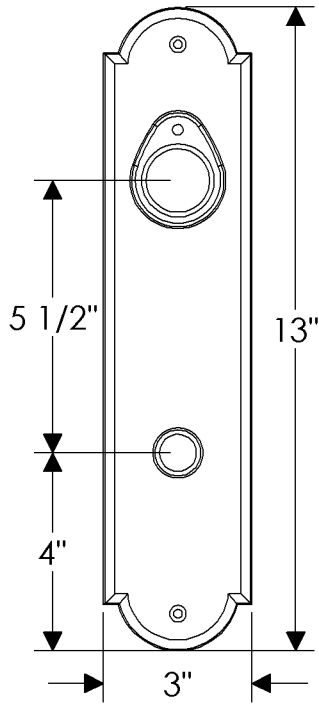


1-3/8" - 2-1/8"
DOOR THICKNESS

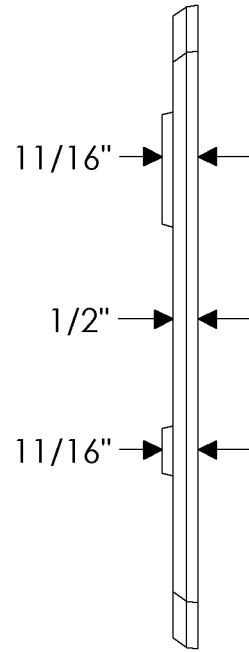


2-1/4" & GREATER
DOOR THICKNESS

Level Bolt - Arched Escutcheon
E738

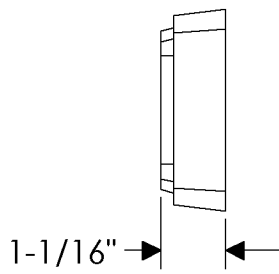
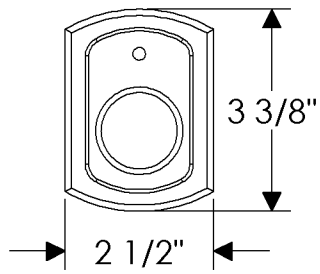


1-3/8" - 2-1/8"
DOOR THICKNESS

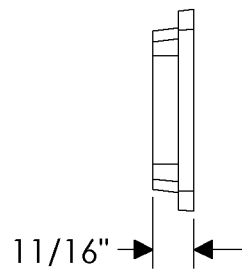


2-1/4" & GREATER
DOOR THICKNESS

Level Bolt - Arched Escutcheon
E735



**1-3/8" - 2-1/8"
DOOR THICKNESS**

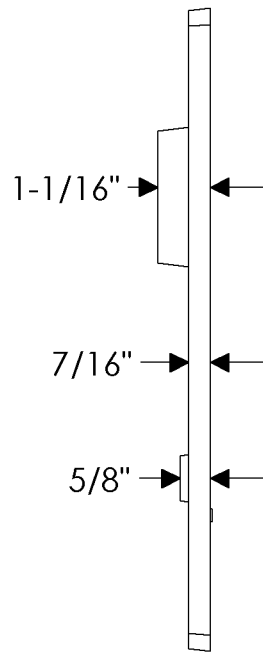
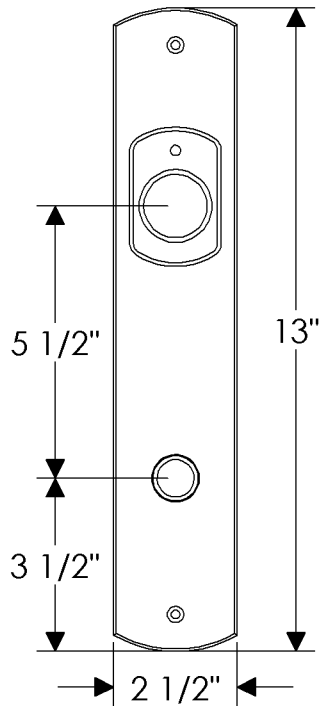


**2-1/4" & GREATER
DOOR THICKNESS**

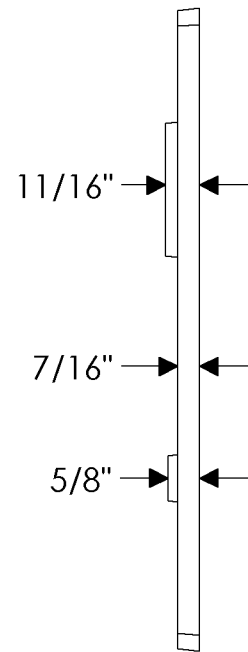
**Level Bolt - Curved Deadbolt
DB511**

ROCKY MOUNTAIN

H A R D W A R E

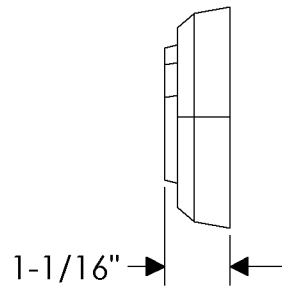
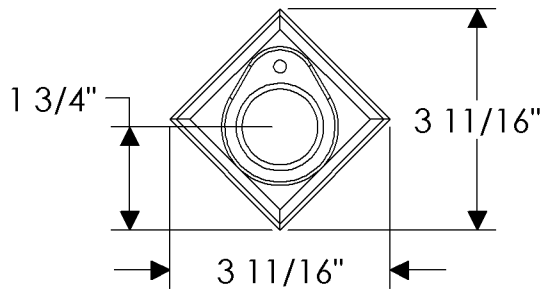


1-3/8" - 2-1/8"
DOOR THICKNESS

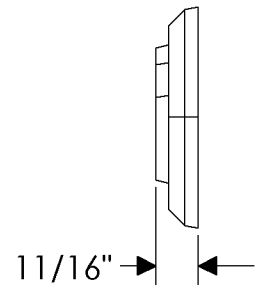


2-1/4" & GREATER
DOOR THICKNESS

Level Bolt - Curved Escutcheon
E558

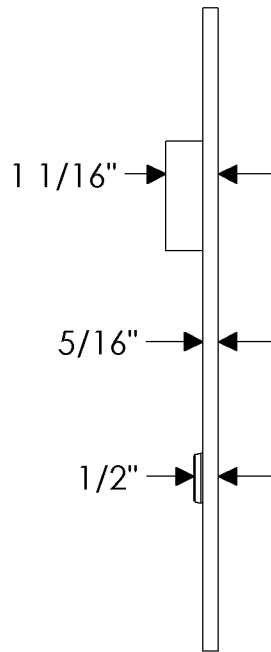
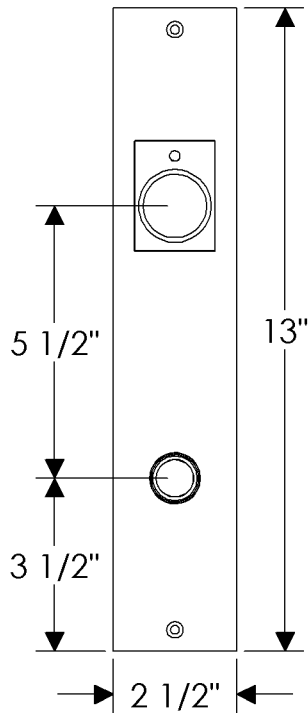


1-3/8" - 2-1/8"
DOOR THICKNESS

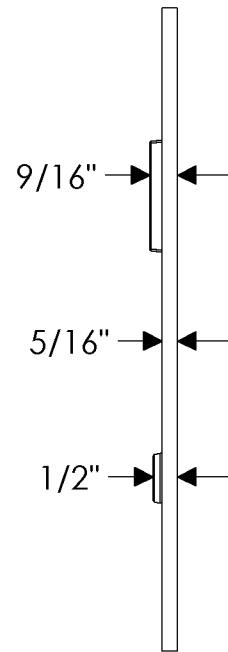


2-1/4" & GREATER
DOOR THICKNESS

Level Bolt - Diamond Deadbolt
DB509



1-3/8" - 2-3/8"
DOOR THICKNESS

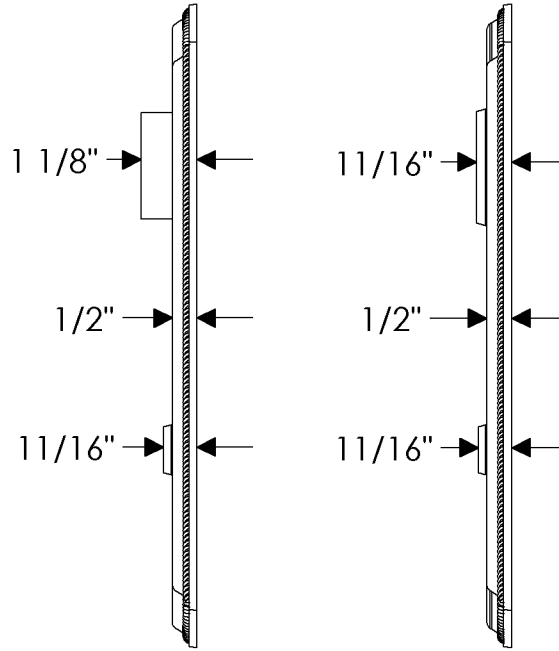
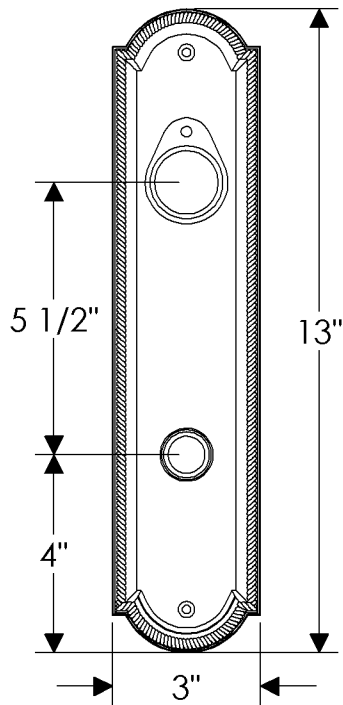


2-1/2" & GREATER
DOOR THICKNESS

Level Bolt - Edge Escutcheon
E144

ROCKY MOUNTAIN

H A R D W A R E



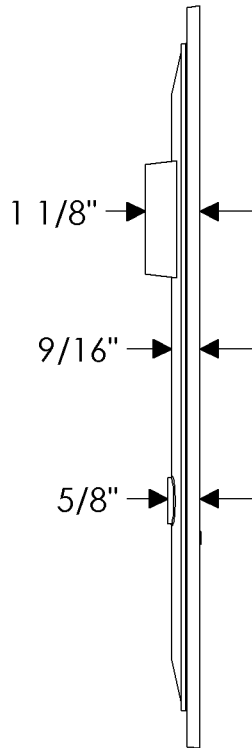
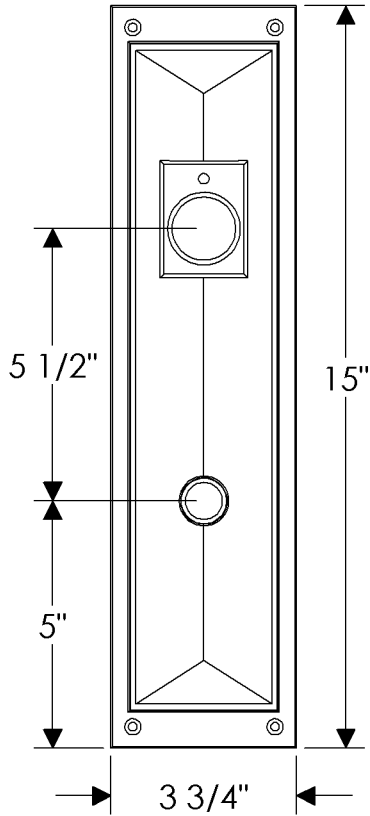
1-3/8" - 2-1/8"
DOOR THICKNESS

2-1/4" & GREATER
DOOR THICKNESS

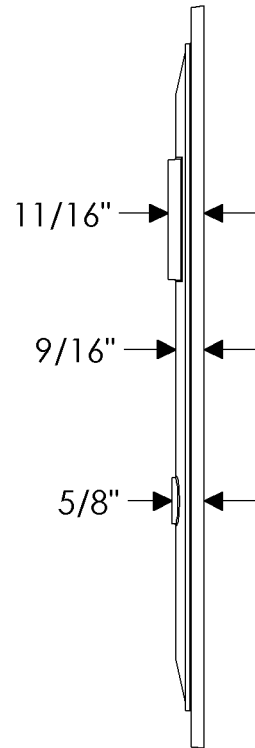
Level Bolt - Ellis Escutcheon
E075

ROCKY MOUNTAIN

H A R D W A R E

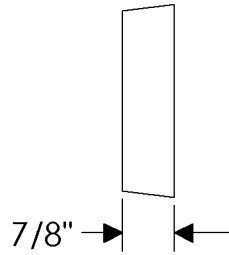
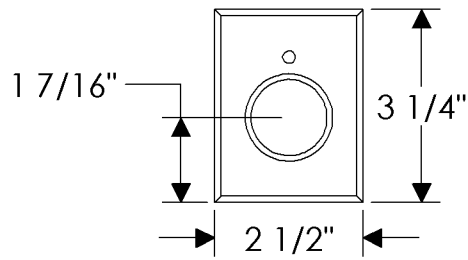


1-3/8" - 2-1/8"
DOOR THICKNESS

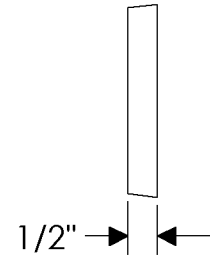


2-1/4" & GREATER
DOOR THICKNESS

Level Bolt - Mack Escutcheon
E21075

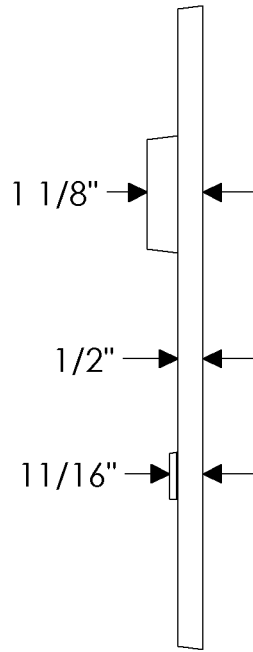
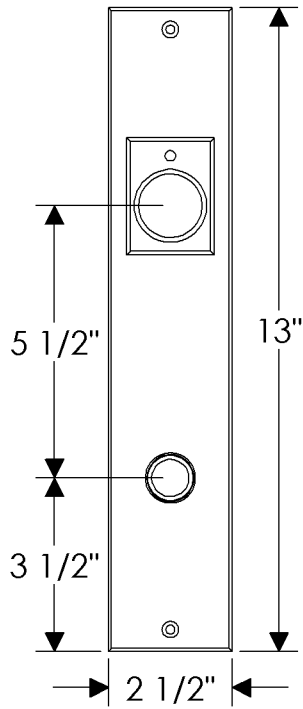


1-3/4" - 2-3/8"
DOOR THICKNESS

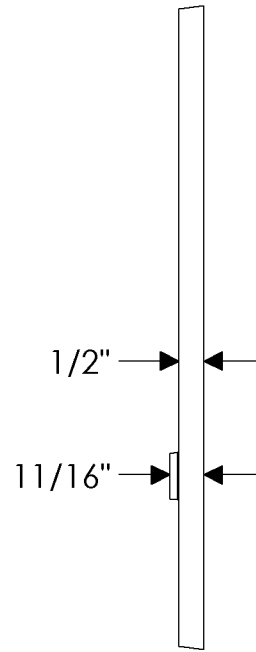


2-1/2" & GREATER
DOOR THICKNESS

Level Bolt - Metro Deadbolt
DB250

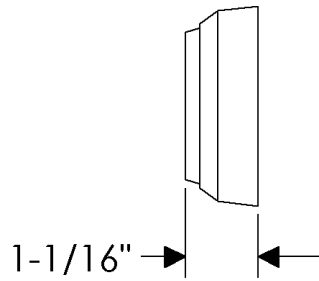
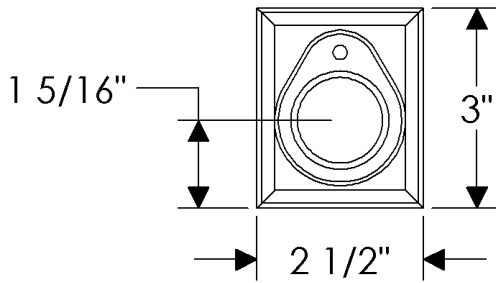


1-3/8" - 2-3/8"
DOOR THICKNESS

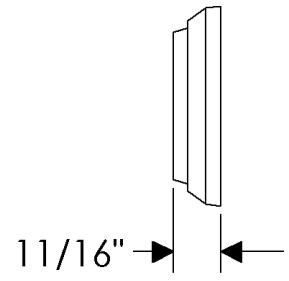


2-1/2" & GREATER
DOOR THICKNESS

Level Bolt - Metro Escutcheon
E258

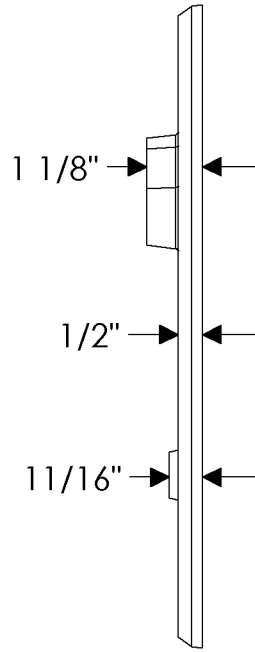
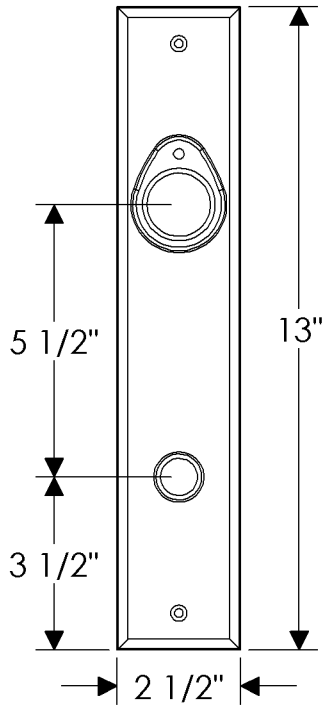


1-3/8" - 2-1/8"
DOOR THICKNESS

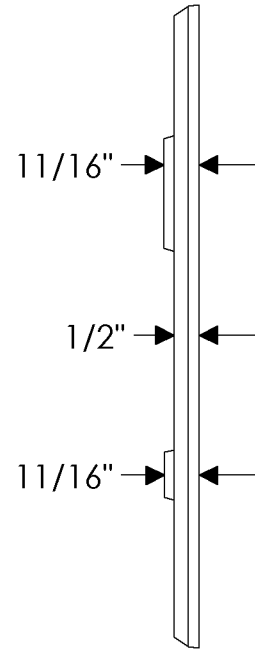


2-1/4" & GREATER
DOOR THICKNESS

Level Bolt - Rectangular Deadbolt
DB507

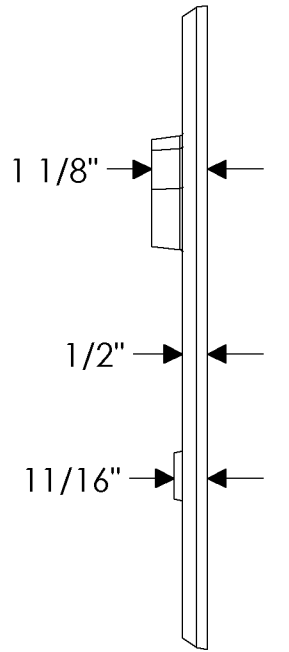
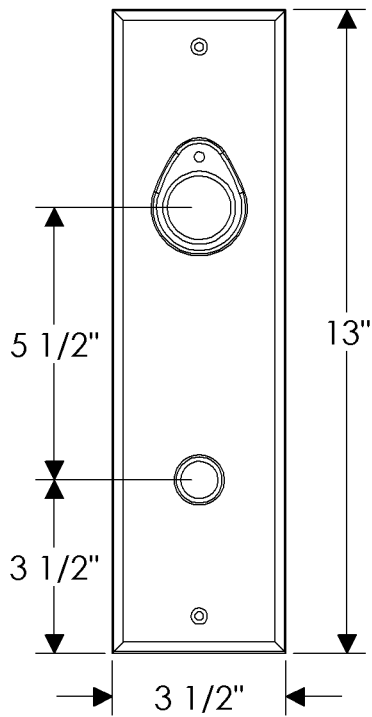


1-3/8" - 2-1/8"
DOOR THICKNESS

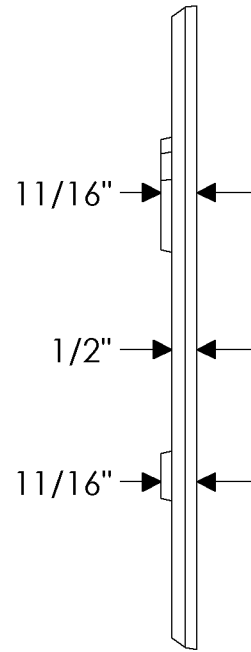


2-1/4" & GREATER
DOOR THICKNESS

Level Bolt - Rectangular Escutcheon
E438



1-3/8" - 2-1/8"
DOOR THICKNESS

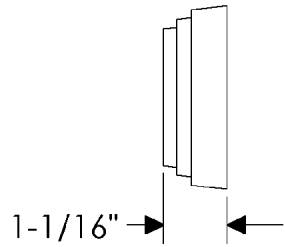
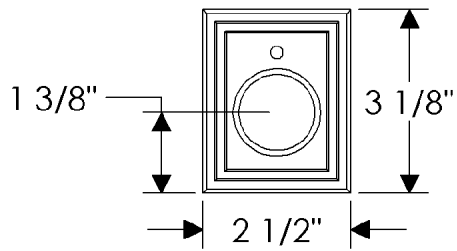


2-1/4" & GREATER
DOOR THICKNESS

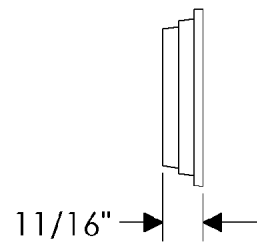
Level Bolt - Rectangular Escutcheon
E475

ROCKY MOUNTAIN

H A R D W A R E

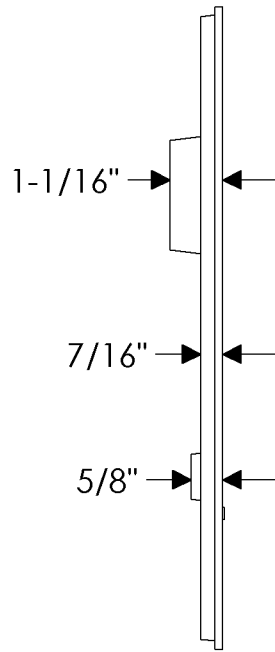
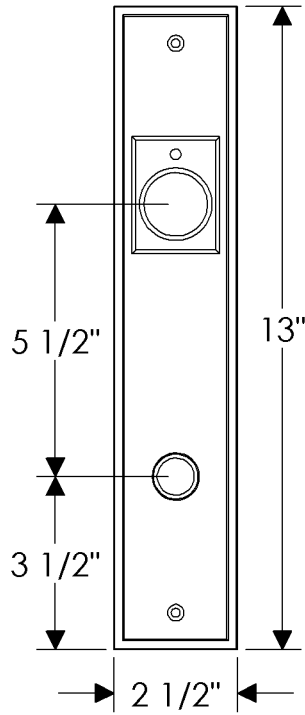


1-3/8" - 2-1/8"
DOOR THICKNESS

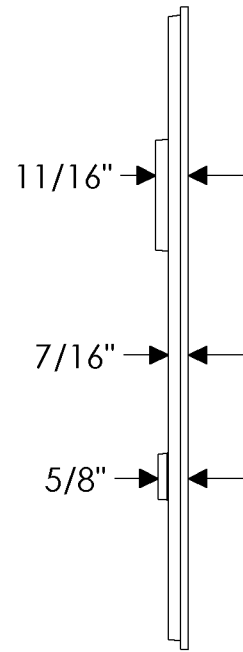


2-1/4" & GREATER
DOOR THICKNESS

Level Bolt - Stepped Deadbolt
DB312

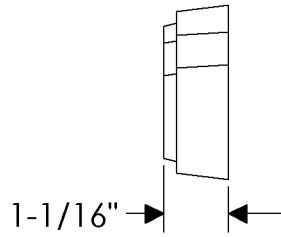
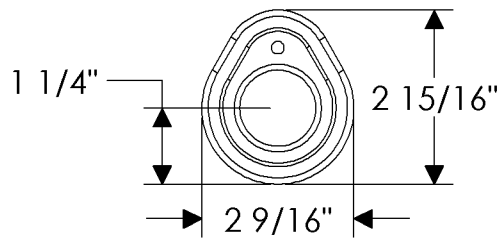


1-3/8" - 2-1/8"
DOOR THICKNESS

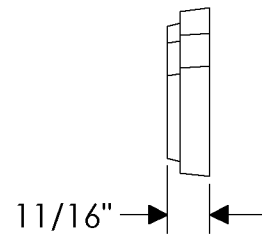


2-1/4" & GREATER
DOOR THICKNESS

Level Bolt - Stepped Escutcheon
E358



1-3/8" - 2-1/8"
DOOR THICKNESS



2-1/4" & GREATER
DOOR THICKNESS

Level Bolt - Teardrop Deadbolt
DB506