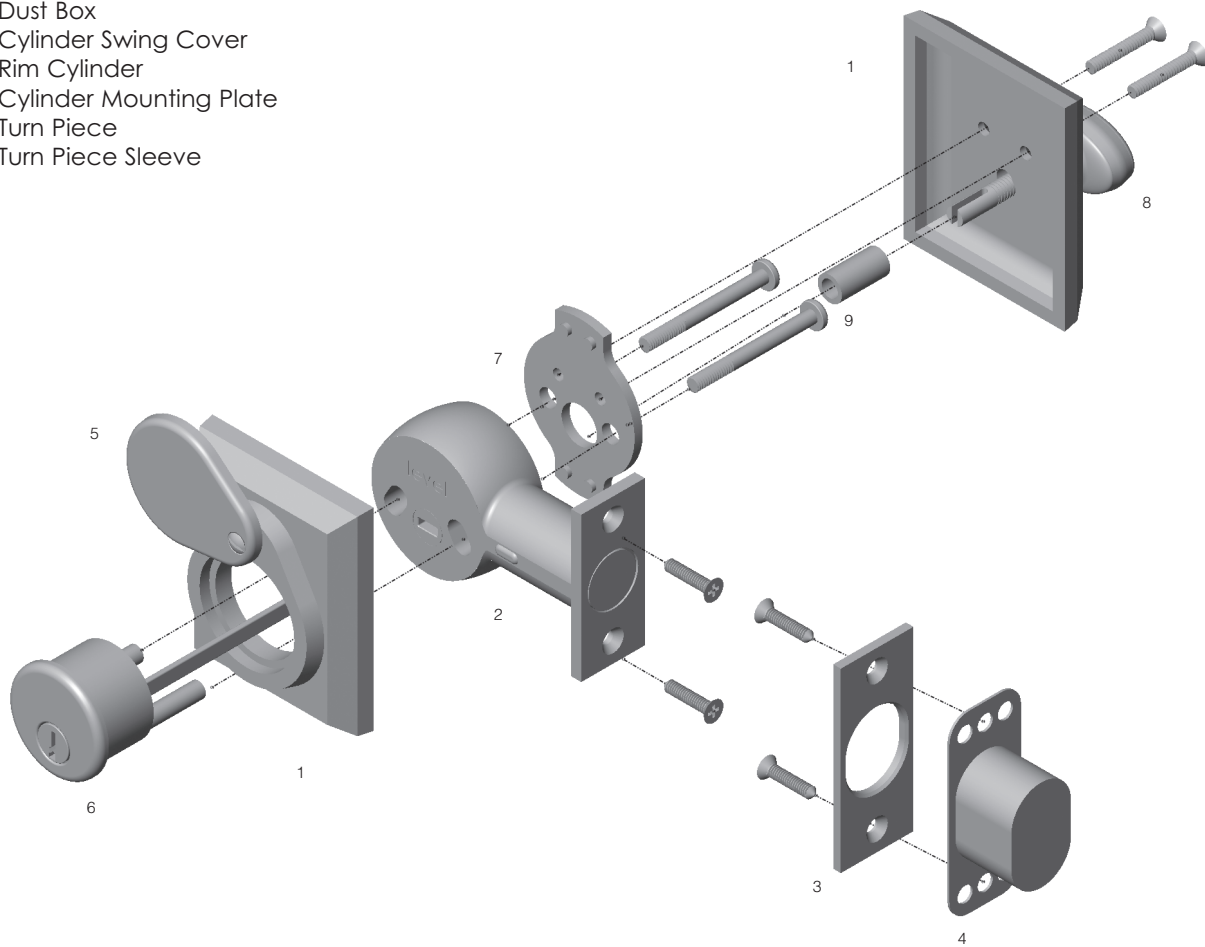


ROCKY MOUNTAIN

H A R D W A R E

Entry Level Bolt

- 1 Escutcheon
- 2 Level Bolt
- 3 Level Bolt Strike
- 4 Dust Box
- 5 Cylinder Swing Cover
- 6 Rim Cylinder
- 7 Cylinder Mounting Plate
- 8 Turn Piece
- 9 Turn Piece Sleeve



ROCKY MOUNTAIN

H A R D W A R E

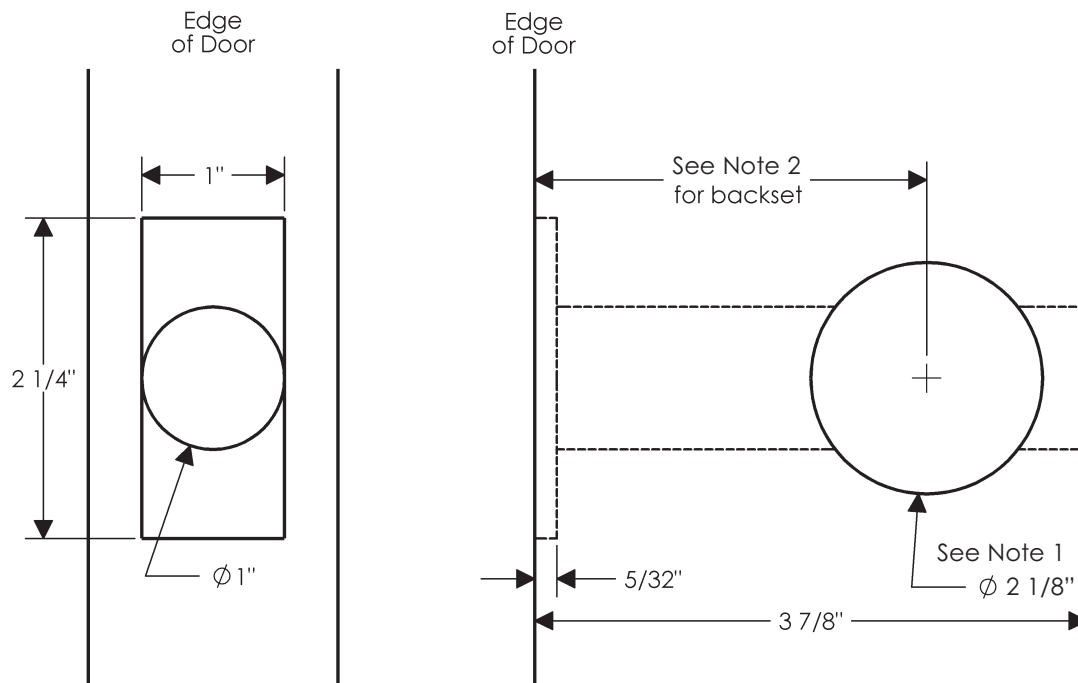
LEVEL BOLT COLLECTION - DOOR PREPARATORY SPECIFICATIONS

Entry Dead Bolt - Interior & Exterior

Not Applicable to Edge, Element, or RMH Wireless Collections

Notes:

1. This face bore requires escutcheons 2 1/2" or wider.
2. This bore specification is applicable for 2 3/8" or 2 3/4" backset dead bolts.



ROCKY MOUNTAIN

H A R D W A R E

LEVEL BOLT COLLECTION - DOOR PREPARATORY SPECIFICATIONS

Strike - Dead Bolt

Notes:

1. This dimension is 1/2 of door thickness, eg., 1 3/4" divided by 2 = 7/8". This dimension will have to be adjusted for different door thicknesses and unusual jamb or door conditions.

