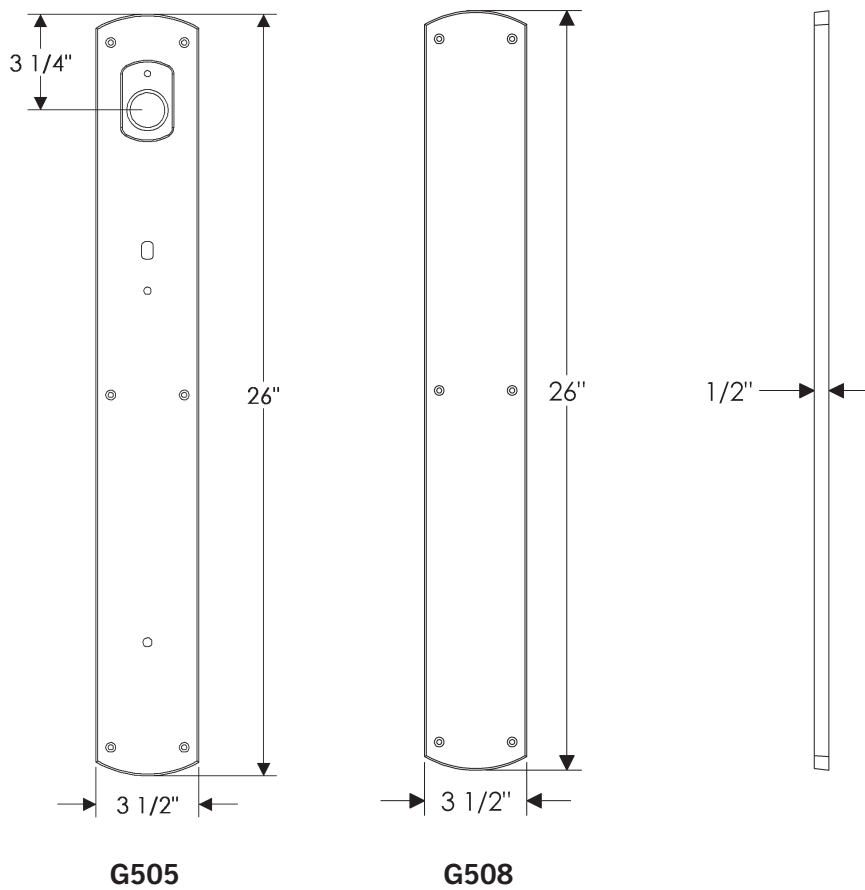


## Curved Push/Pull Set



**G505**

**G508**

**Also applicable for the G507.**