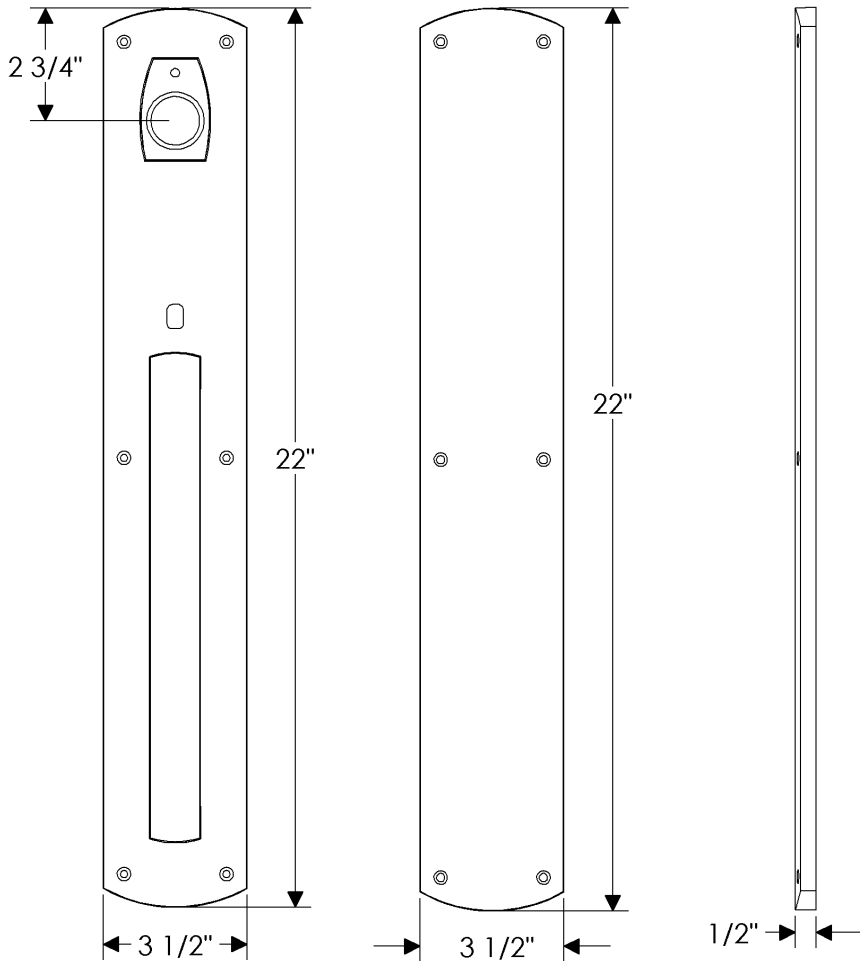


## Convex Entry Set



G30535

G30533

\*Also applicable with the  
G30534 (Turnpiece)