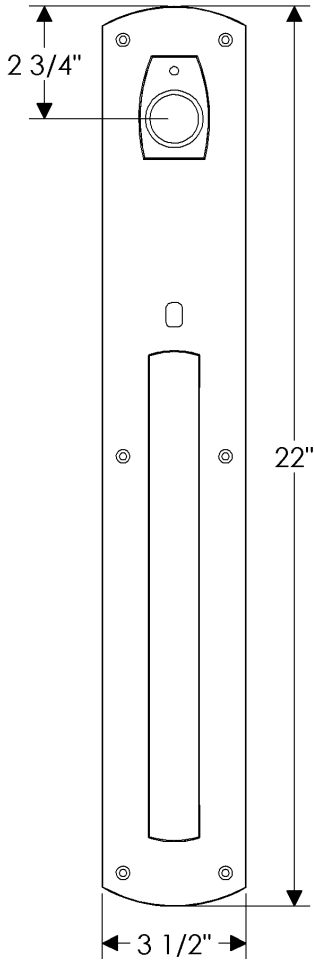
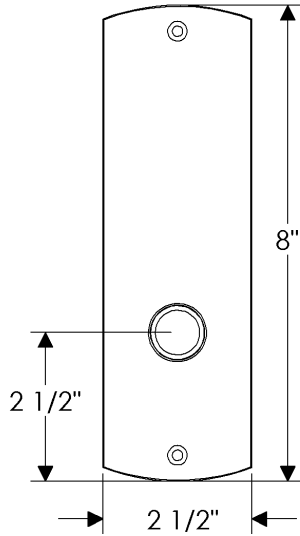


## Convex Entry Set



G30535



E30506

\*Also applicable with  
the E30505 (Turnpiece)

