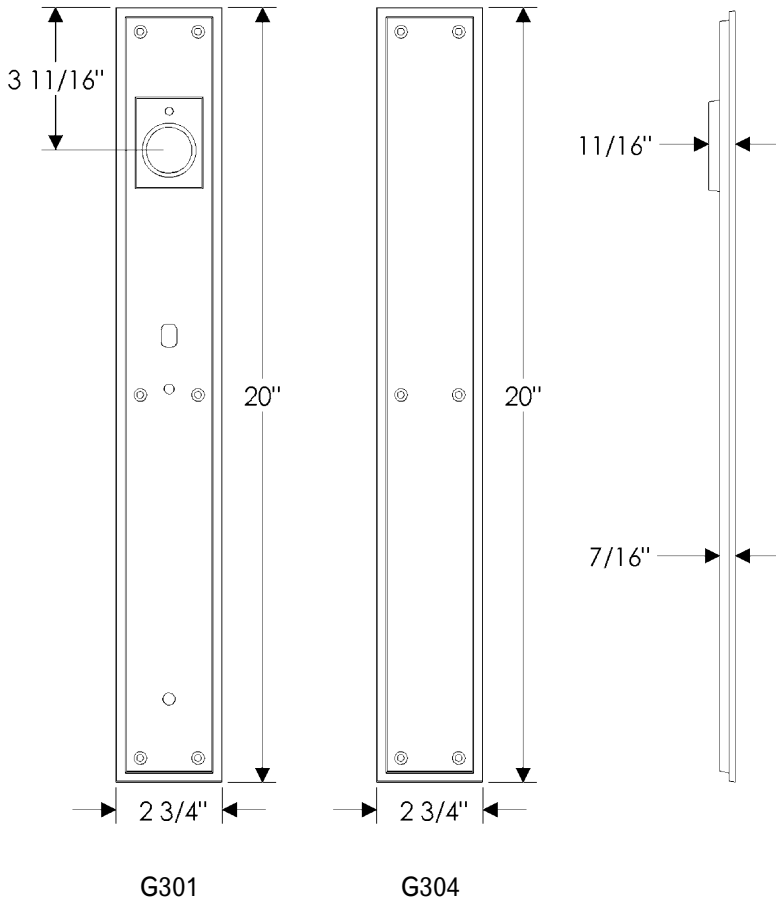


### Stepped Entry Set



Also applicable for the G302 with turnpiece.