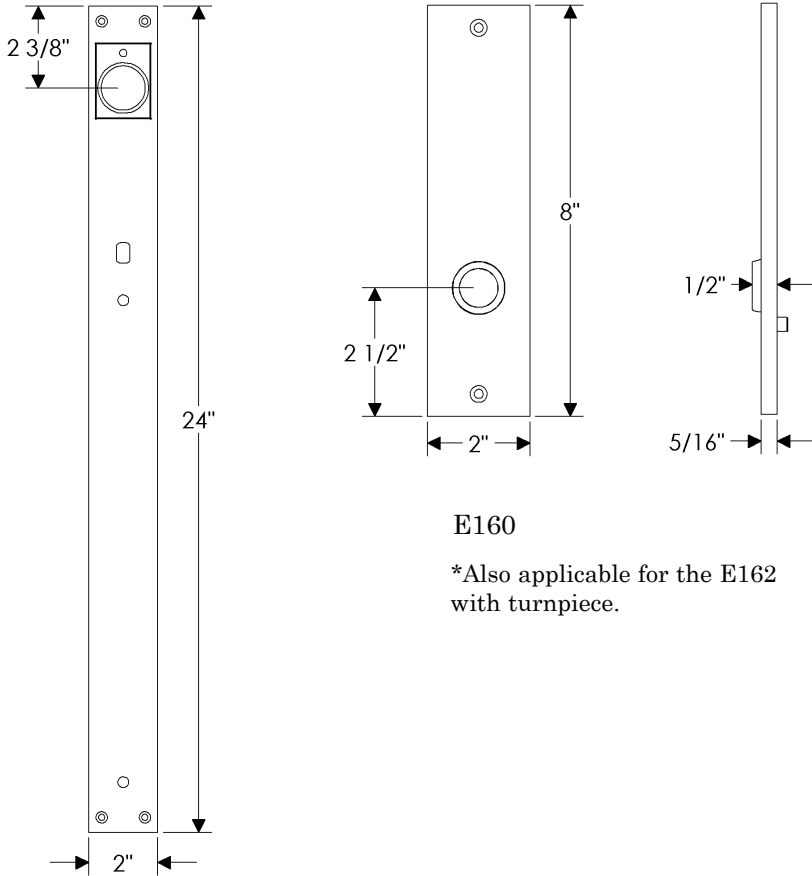


Edge Entry Set



E160

*Also applicable for the E162 with turnpiece.

G185