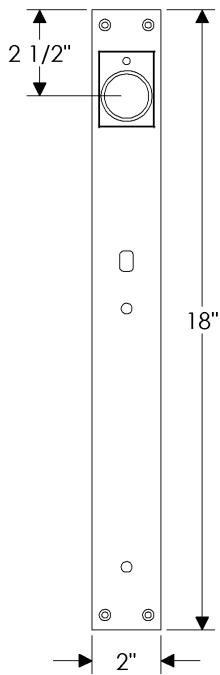
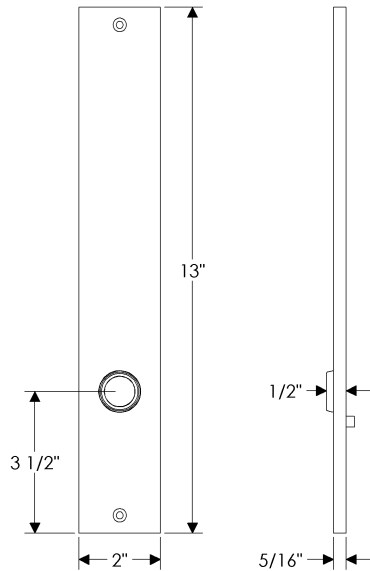


Edge Entry Set



G182



E170

*Also applicable for the E171 with turnpiece.