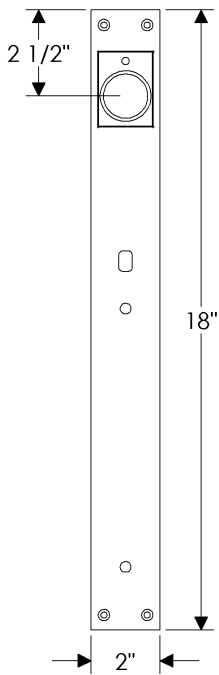
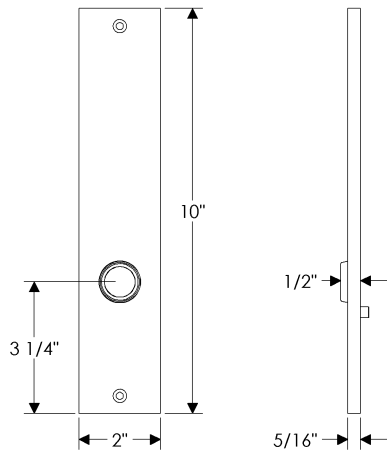


## Edge Entry Set



G182



E165

\*Also applicable for the E166 with turnpiece.