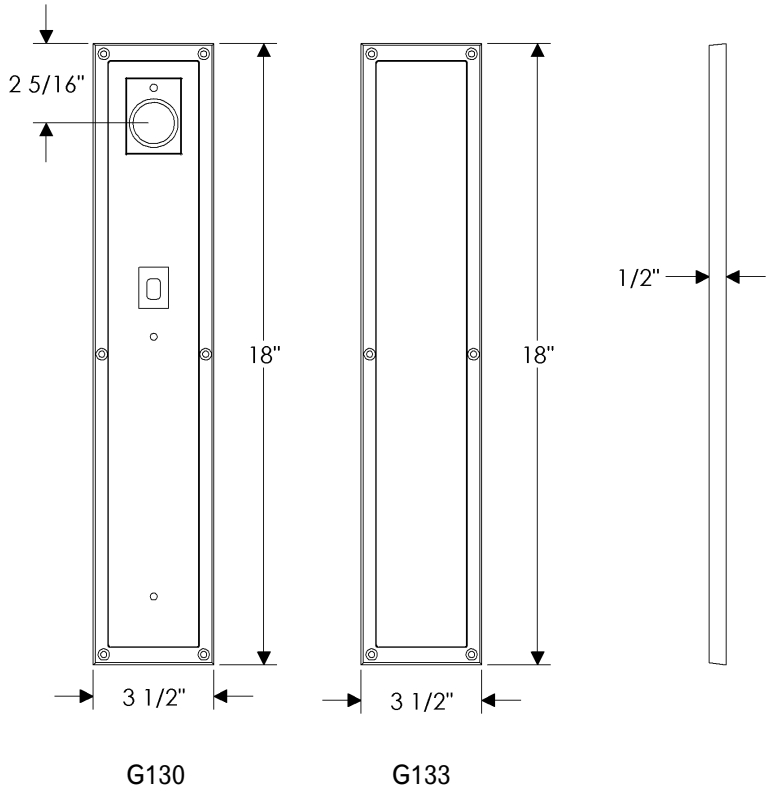


### Designer Entry Set



G130

G133

Also applicable for the G132 with turnpiece.