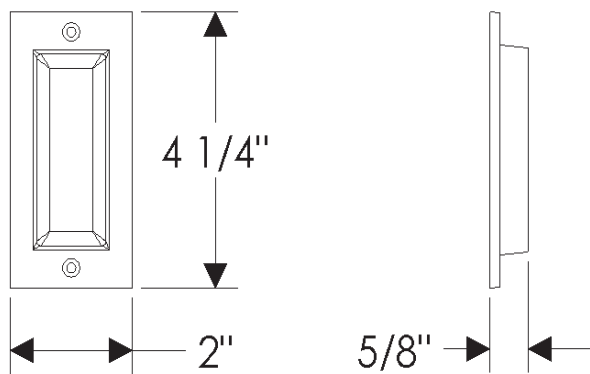


## Rectangular Flush Pull



**FP204**