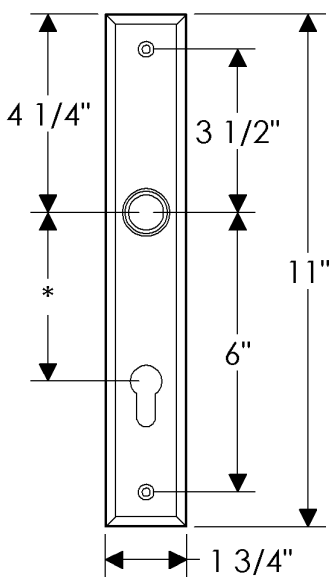
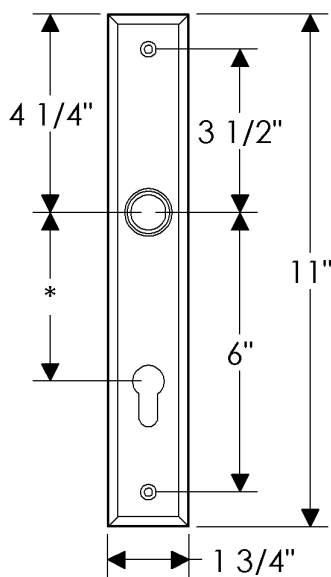


Rectangular Multi-Point Set



E448



E448

