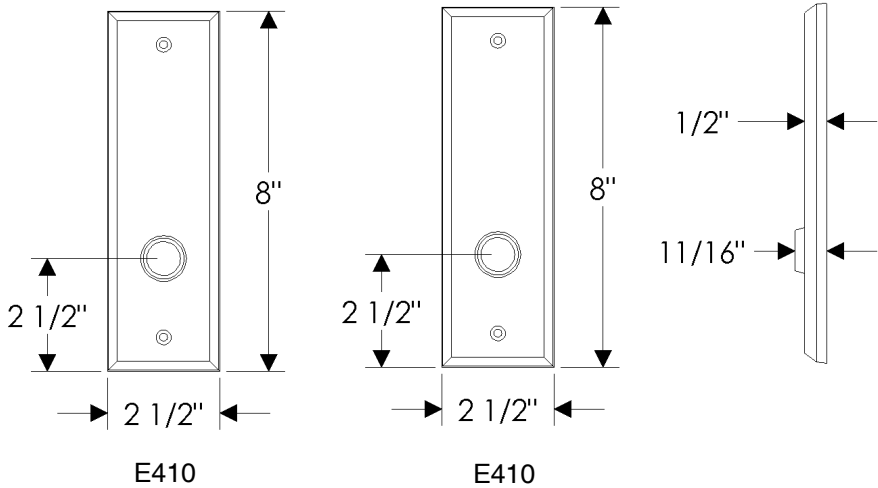


Rectangular Passage Set



Dimensions also applicable for the following:
E411 (ER)
E412 (TP)