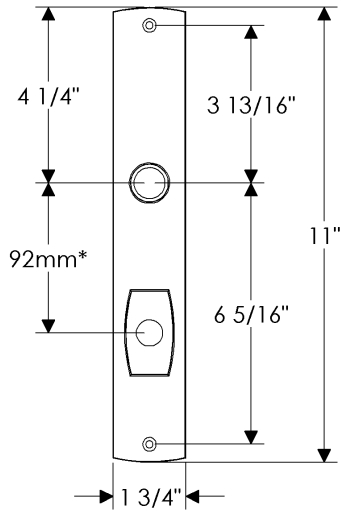
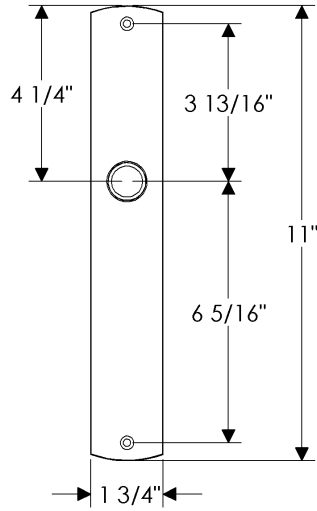


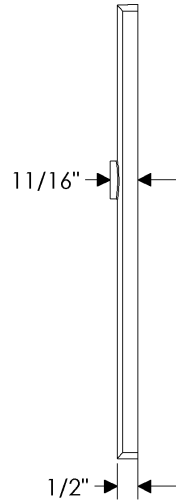
Convex Multi-Point Entry Set



E30567



E30565



*Also applicable with
the E30566 (LHi) (Turnpiece)