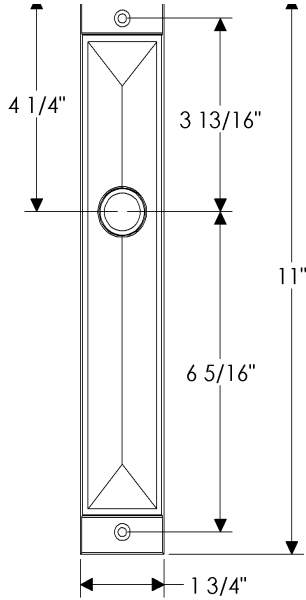
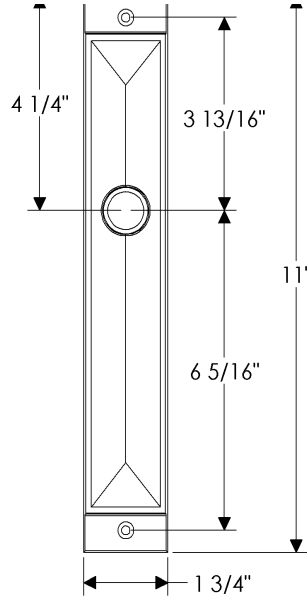


### Mack Multi-Point Set



E21041



E21041

Also applicable for the  
E21043 with turnpiece.