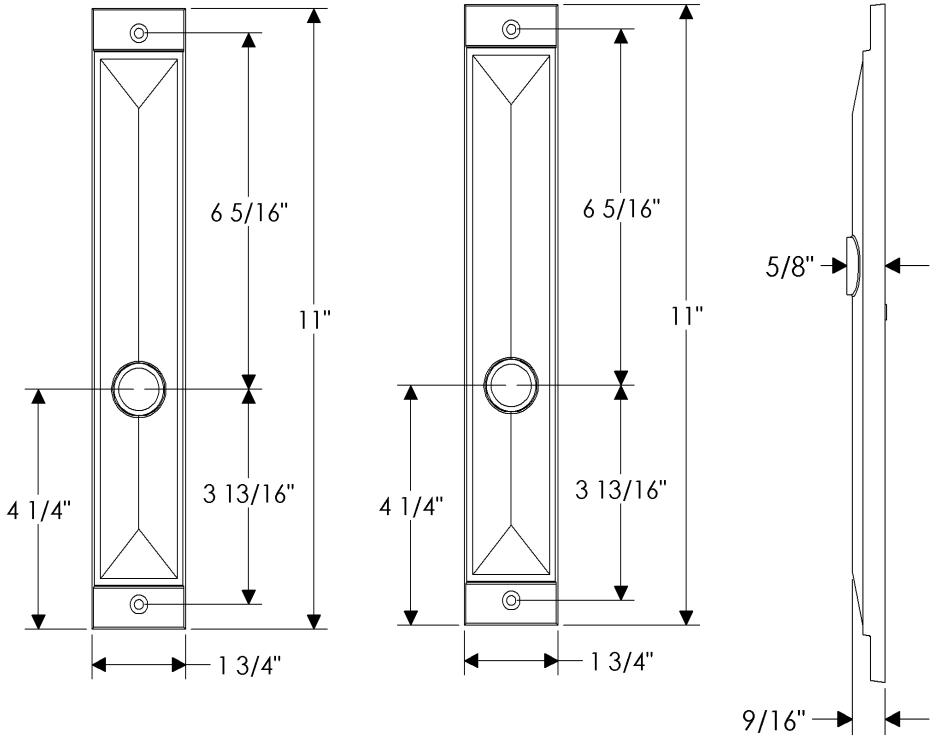


Mack Multi-Point Set



E21040

E21040

Also applicable for the E21042 with turnpiece.