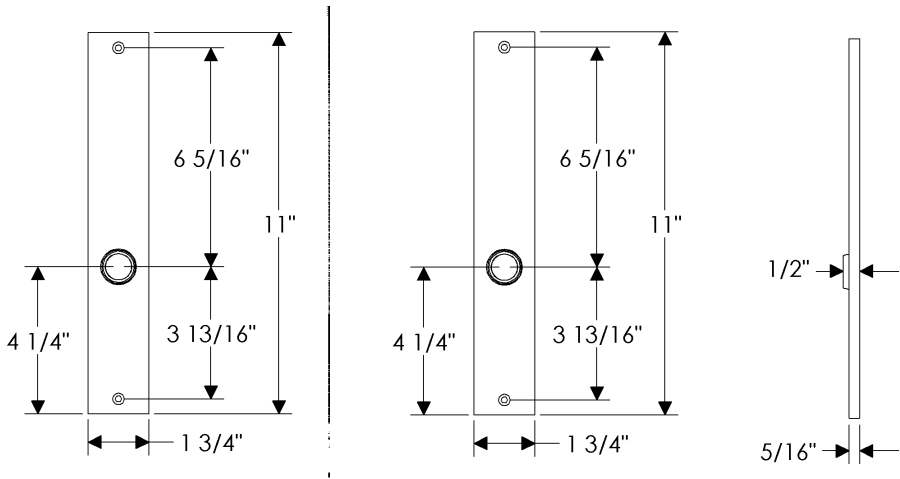


Edge Multi-Point Set



E191

E191

*Also applicable for the E192 with turnpiece.