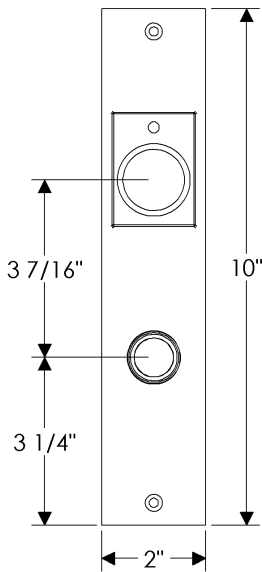
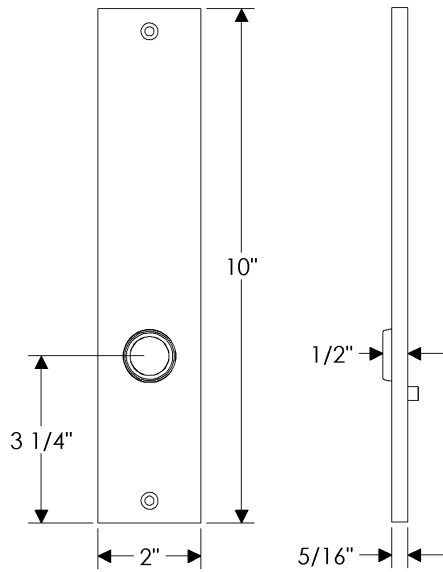


## Edge Entry Set



E168



E165

\*Also applicable for the E166 with turnpiece.