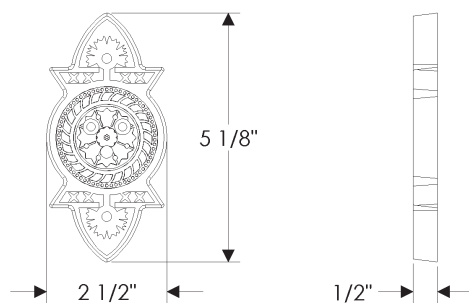
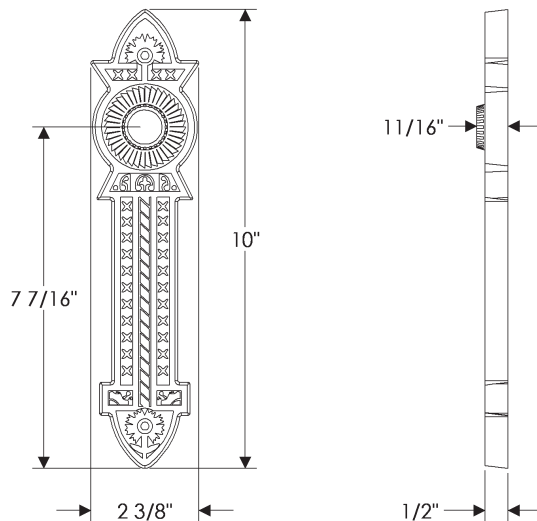


## Briggs Entry Set



**IP10800**



**E10810**