

ROCKY MOUNTAIN

H A R D W A R E

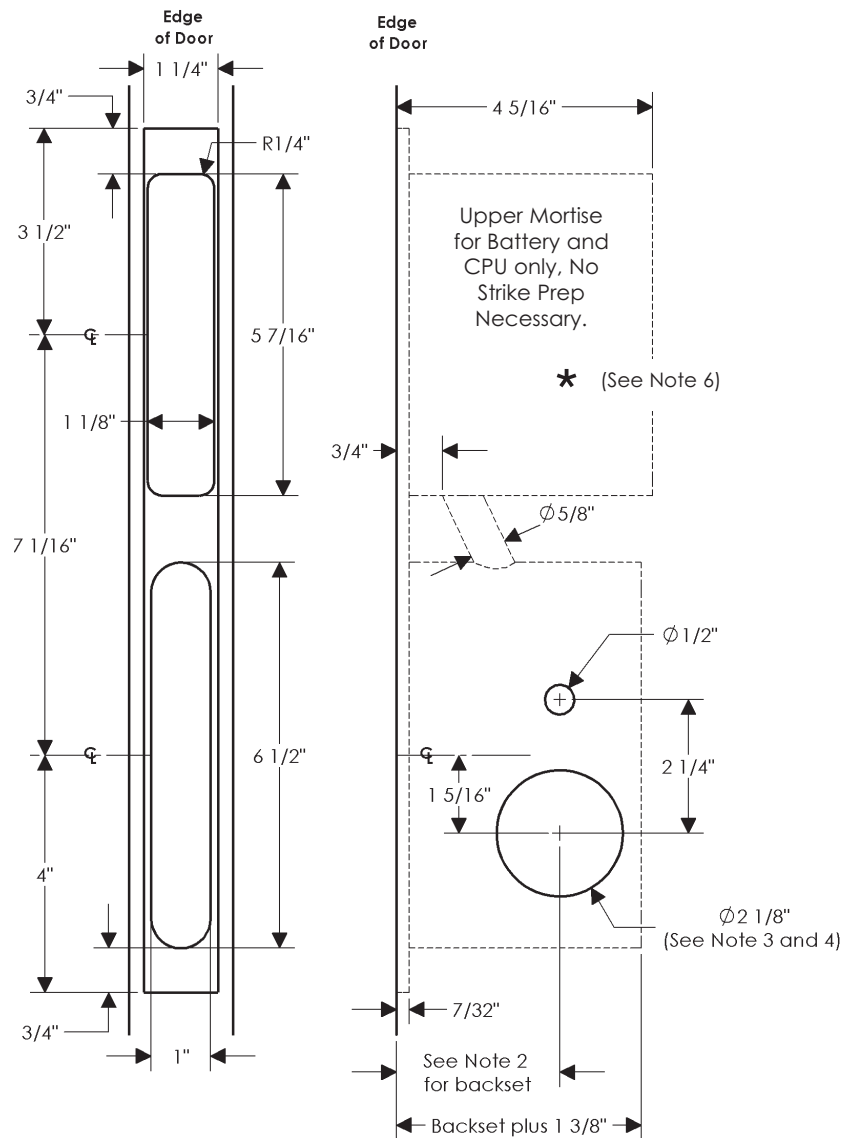
DOOR PREPARATORY SPECIFICATIONS

Bluetooth Entry Mortise Lock Lever to Lever - Interior

Not Applicable to Edge, or Element Collections

Notes:

1. Standard location of mortise lock is determined by placing the lever or knob 36" above finish floor. However, this may be adjusted for special applications.
2. This bore specification is applicable for 2 1/2" or 2 3/4" backset mortise locks.
3. This face bore does not work for E207, E211, or E821. These escutcheons require a 7/8" face bore.
4. This face bore does not work for E10016. These escutcheons require a 1 5/8" face bore 1 7/16" down from center line of lock.
5. This bore specification will not work with E10101.
6. It may be necessary to trim the top escutcheon mounting screws for 2 1/4" and less door thickness that fall within the edge bore, to avoid interference with internal components.



ROCKY MOUNTAIN

H A R D W A R E

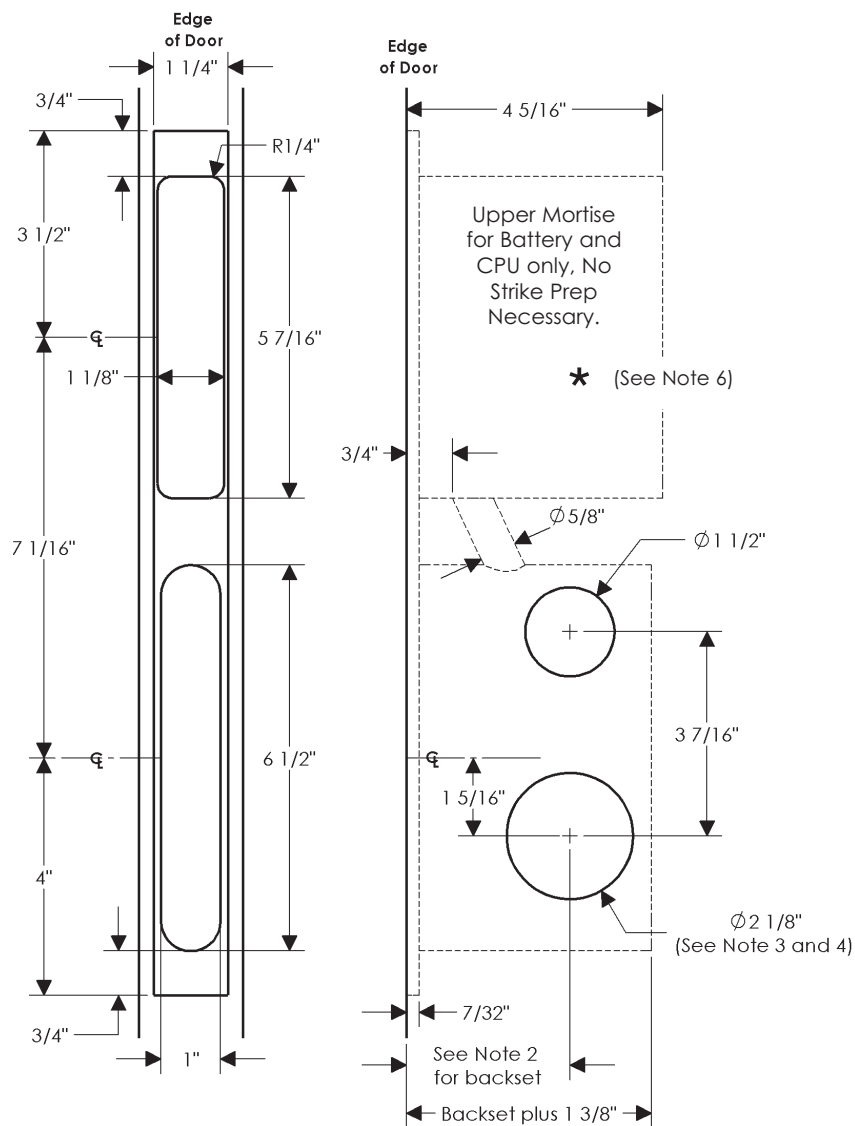
DOOR PREPARATORY SPECIFICATIONS

Bluetooth Entry Mortise Lock Lever to Lever - Exterior

Not Applicable to Edge, or Element Collections

Notes:

1. Standard location of mortise lock is determined by placing the lever or knob 36" above finish floor. However, this may be adjusted for special applications.
2. This bore specification is applicable for 2 1/2" or 2 3/4" backset mortise locks.
3. This face bore does not work for E209 or E823. These escutcheons require a 7/8" face bore.
4. This face bore does not work for E10018. These escutcheons require a 1 5/8" face bore 1 7/16" down from center line of lock.
5. This bore specification will not work with E10101.
6. It may be necessary to trim the top escutcheon mounting screws for 2 1/4" and less door thickness that fall within the edge bore, to avoid interference with internal components.



ROCKY MOUNTAIN

H A R D W A R E

DOOR PREPARATORY SPECIFICATIONS

Strike - Mortise Lock

Notes:

1. This dimension is 1/2 of door thickness, eg., 1 3/4" divided by 2 = 7/8". This dimension will have to be adjusted for different door thicknesses and unusual jamb or door conditions.

