

# ROCKY MOUNTAIN

H A R D W A R E

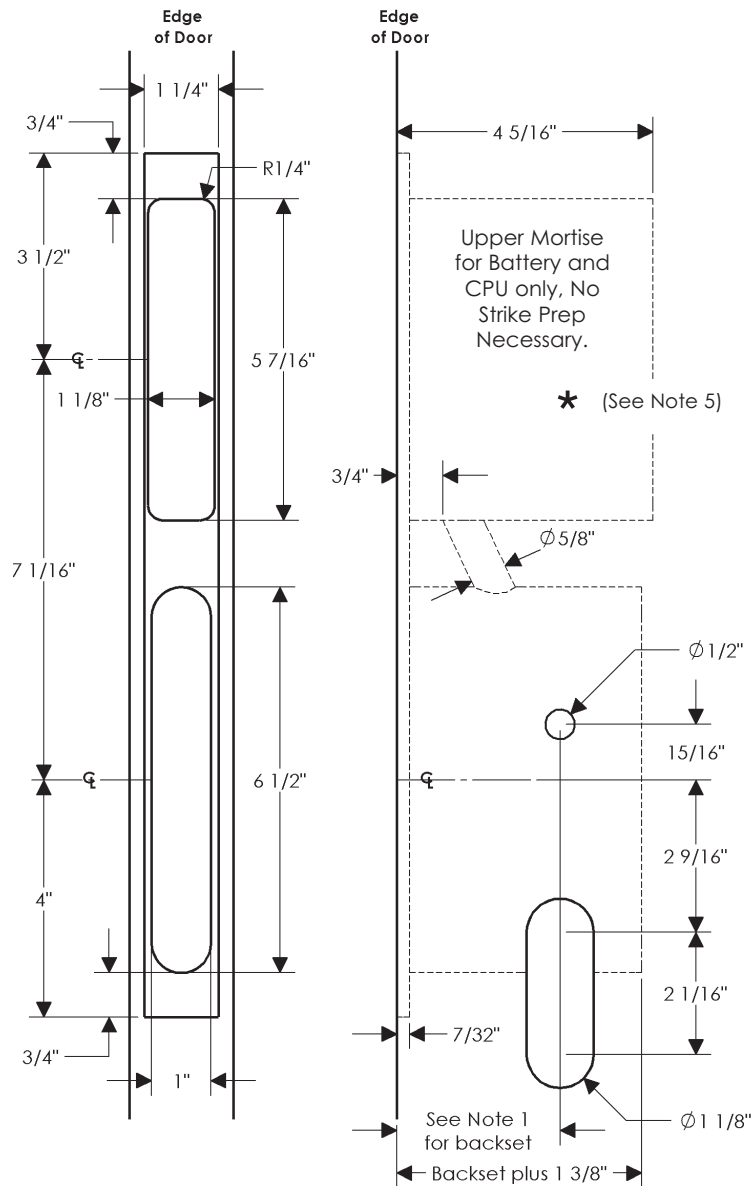
## DOOR PREPARATORY SPECIFICATIONS

### Bluetooth Entry Mortise Lock Grip to Grip - Interior

Not Applicable to Element Collections

Notes:

1. This bore specification is applicable for 2 1/2" or 2 3/4" backset mortise locks.
2. Standard location of mortise lock is determined by placing the lever or knob 36" above finish floor. However, this may be adjusted for special applications.
3. For sectional trim, G544 and G574, this center-to-center dimension changes to 1 1/16".
4. This bore specification will not work with E10101.
5. It may be necessary to trim the top escutcheon mounting screws for 2 1/4" and less door thickness that fall within the edge bore, to avoid interference with internal components.



# ROCKY MOUNTAIN

H A R D W A R E

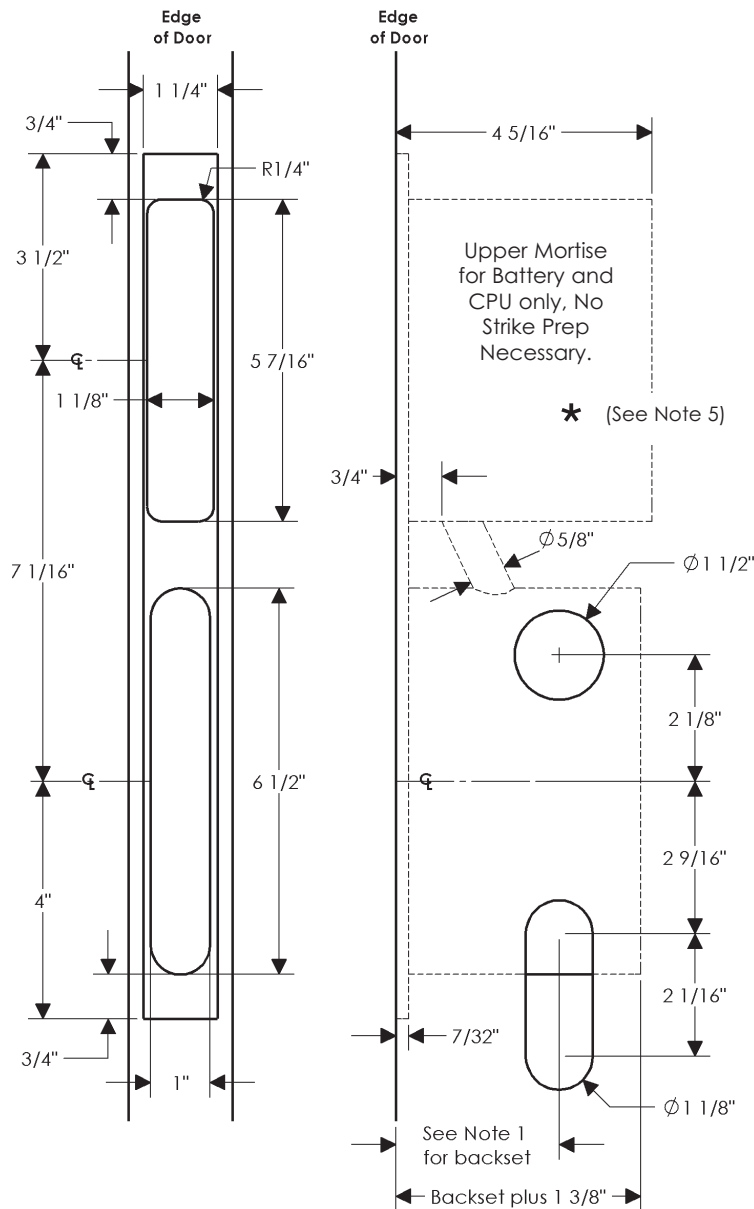
## DOOR PREPARATORY SPECIFICATIONS

### Bluetooth Entry Mortise Lock Grip to Grip - Exterior

Not Applicable to Element Collections

Notes:

1. This bore specification is applicable for 2 1/2" or 2 3/4" backset mortise locks.
2. Standard location of mortise lock is determined by placing the lever or knob 36" above finish floor. However, this may be adjusted for special applications.
3. For sectional trim, G542 and G572, this center-to-center dimension changes to 1 1/16".
4. This bore specification will not work with E10101.
5. It may be necessary to trim the top escutcheon mounting screws for 2 1/4" and less door thickness that fall within the edge bore, to avoid interference with internal components.



# ROCKY MOUNTAIN

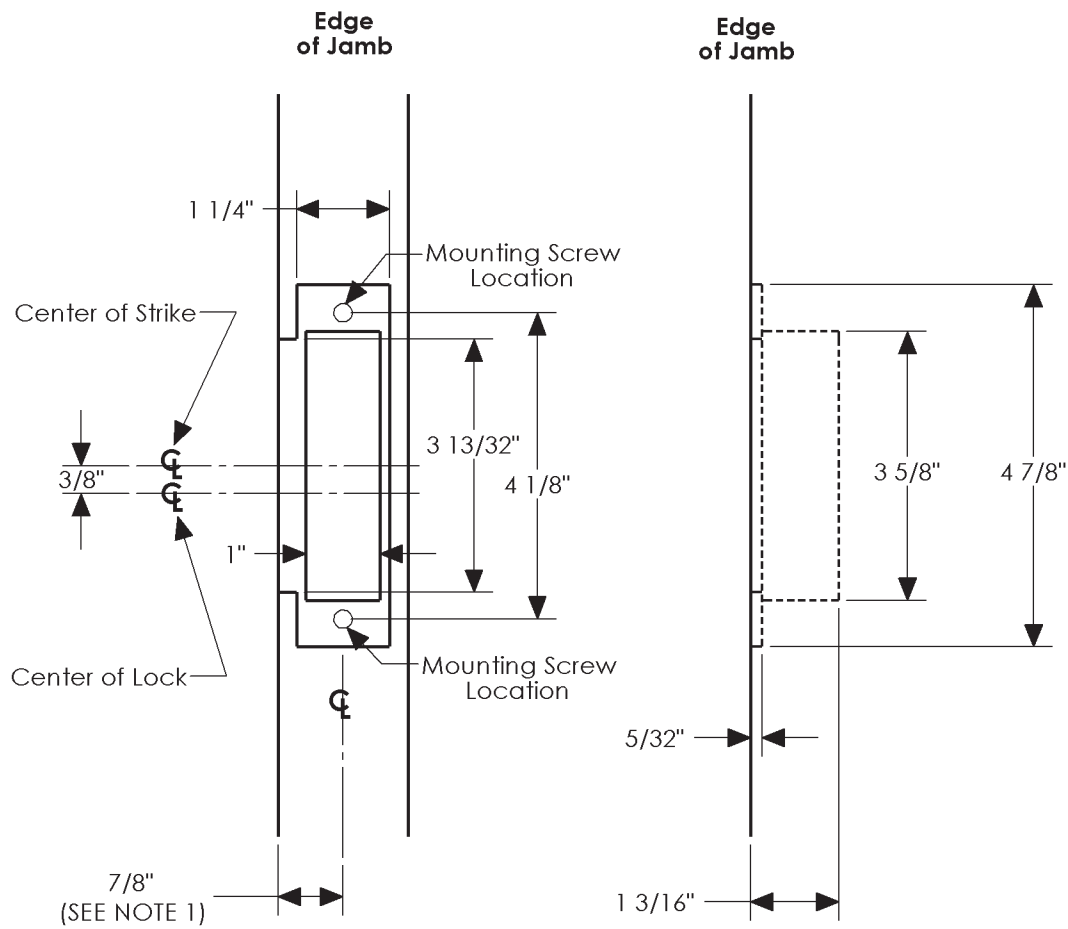
H A R D W A R E

## DOOR PREPARATORY SPECIFICATIONS

### Strike - Mortise Lock

Notes:

1. This dimension is 1/2 of door thickness, eg., 1 3/4" divided by 2 = 7/8". This dimension will have to be adjusted for different door thicknesses and unusual jamb or door conditions.



Scan For Video Instructions