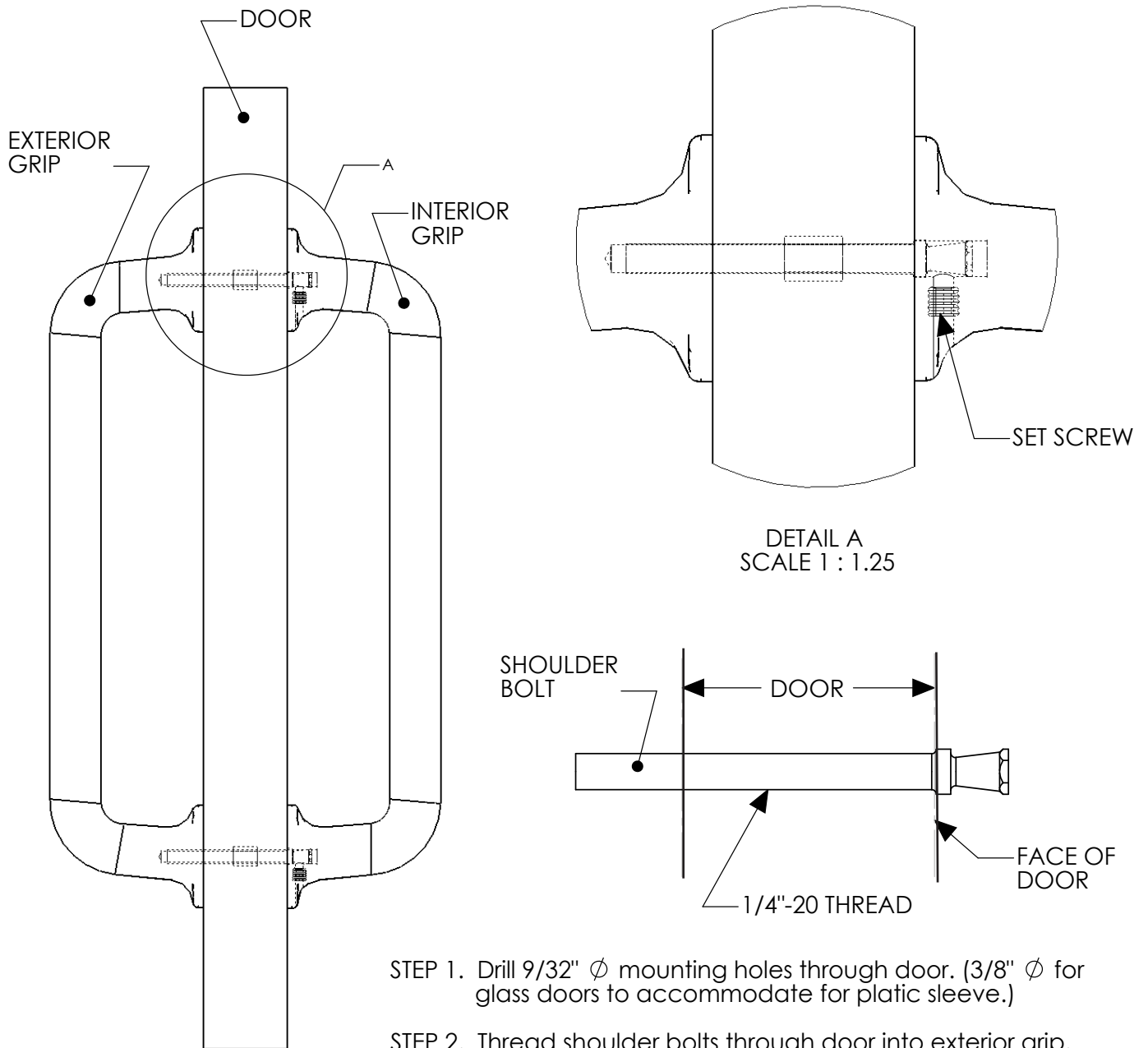


ROCKY MOUNTAIN

H A R D W A R E

Back to Back Grip Mounting Instructions 14" or less Center to Center

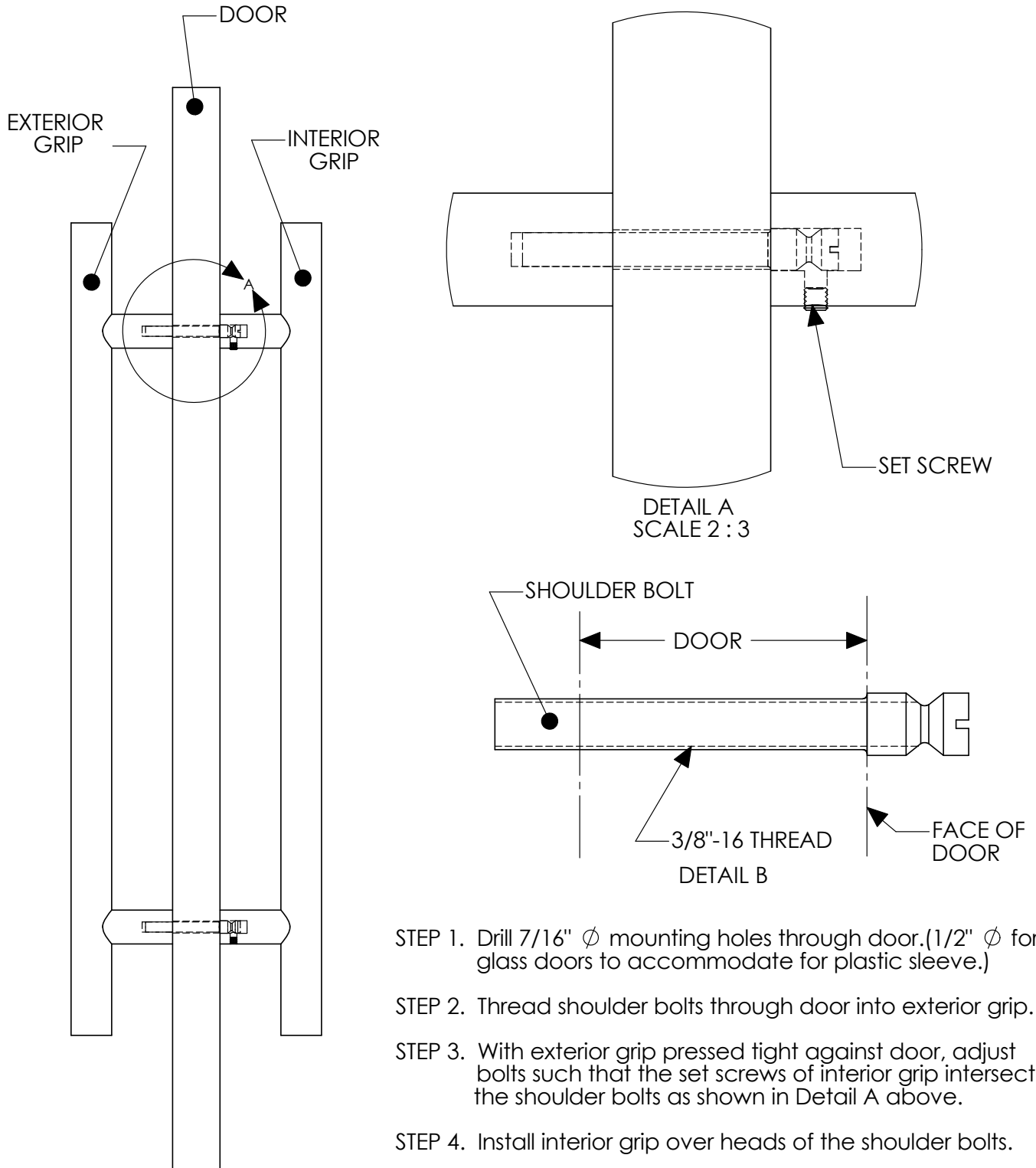


- STEP 1. Drill $9/32"$ ϕ mounting holes through door. ($3/8"$ ϕ for glass doors to accommodate for plastic sleeve.)
- STEP 2. Thread shoulder bolts through door into exterior grip.
- STEP 3. With exterior grip pressed tight against door, adjust bolts such that the set screws of interior grip intersect the shoulder bolts as shown above.
- STEP 4. Install interior grip over the heads of the shoulder bolts.
- STEP 5. Press both grips tight to door and tighten set screws. (Use of clamps highly recommended)

ROCKY MOUNTAIN

H A R D W A R E

Back to Back Grip Mounting Instructions Greater than 14" Center to Center



- STEP 1. Drill $7/16"$ ϕ mounting holes through door. ($1/2"$ ϕ for glass doors to accommodate for plastic sleeve.)
- STEP 2. Thread shoulder bolts through door into exterior grip.
- STEP 3. With exterior grip pressed tight against door, adjust bolts such that the set screws of interior grip intersect the shoulder bolts as shown in Detail A above.
- STEP 4. Install interior grip over heads of the shoulder bolts.
- STEP 5. Press both grips tight to door and tighten set screws. (Use of clamps highly recommended)