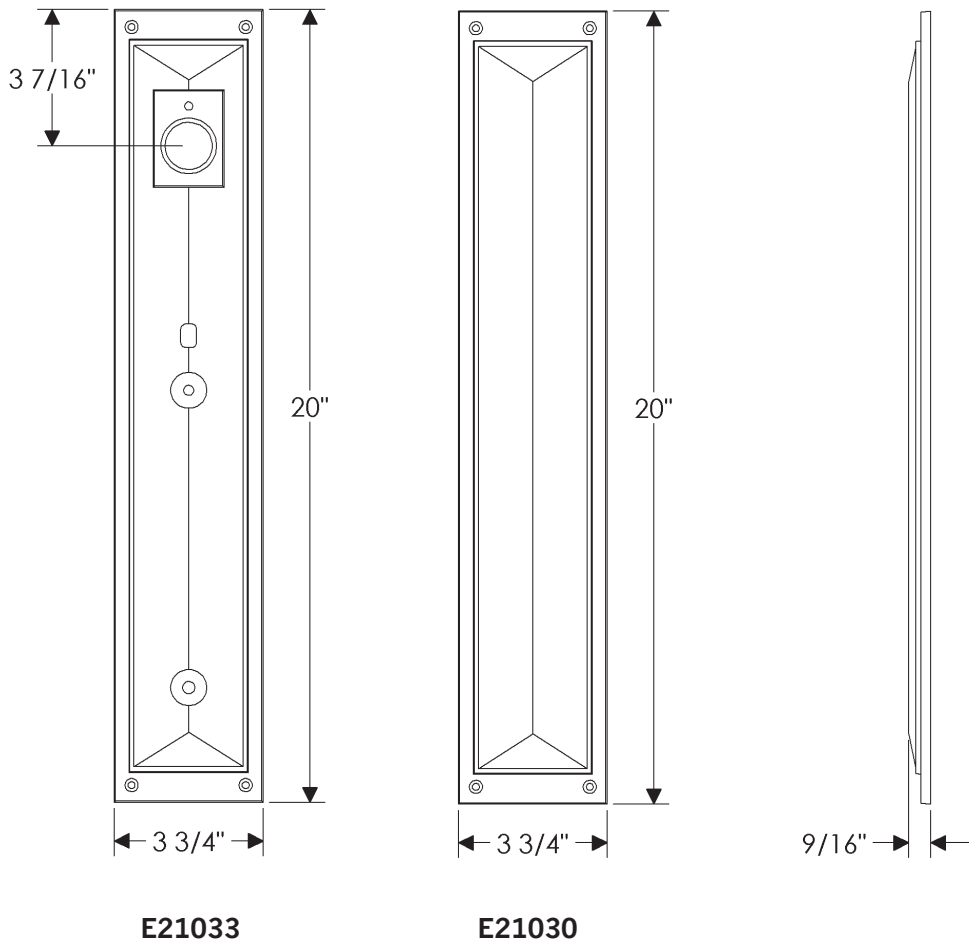


Mack Collection



Also applicable for G21031 (TP).