

PURE HARDWARE SERIES

- All products cast of CuVerro® antimicrobial copper materials. Visit www.antimicrobialbronze.com for more info.
- All finishes are priced the same.
- Contact RMH for door prep specifications, and to verify compatibility of each escutcheon with pre-existing door conditions.
- Specify metal, finish, handing, backset, and lock type when ordering.
- Red/Green indicator supplied with Privacy Indicator.
- Minimum backset is 2 1/2".
- Call us directly to discuss your individual project details. 888-788-2013

HOSPITAL LATCH

A



Hospital Latch 4" x 5 5/8"

A E22050 / E22050 Passage Spring Latch
E22050 / E22050 Passage Mortise Lock

B



B E22050 / E22050 / IP22014 Patio Dead Bolt Spring Latch
E22050 / E22050 / IP22014 Patio Mortise Lock

C



C E22050 / E22050 / IP22014 Privacy Mortise Bolt Spring Latch
E22050 / E22050 / IP22014 Privacy Mortise Lock

D

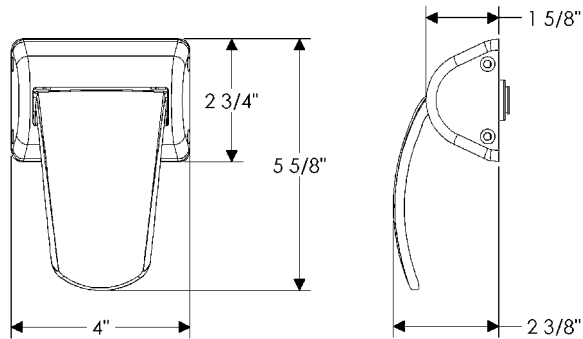


D E22050 / E22050 / PI22000 Privacy Mortise Bolt Spring Latch/
with Indicator
E22050 / E22050 / PI22000 Privacy Mortise Lock/
with Indicator

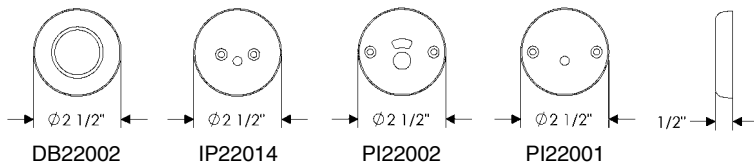
E



E E22050 / E22050 / DB22002 Entry Dead Bolt Spring Latch
E22050 / E22050 / DB22002 Entry Mortise Lock



E22050



ROCKY MOUNTAIN®

H A R D W A R E

1020 Airport Way Hailey, Idaho 83333 USA
toll free 888.788.2013 • ph. 208.788.2013 • fax 208.788.2577
info@rockymountainhardware.com
www.rockymountainhardware.com

201203