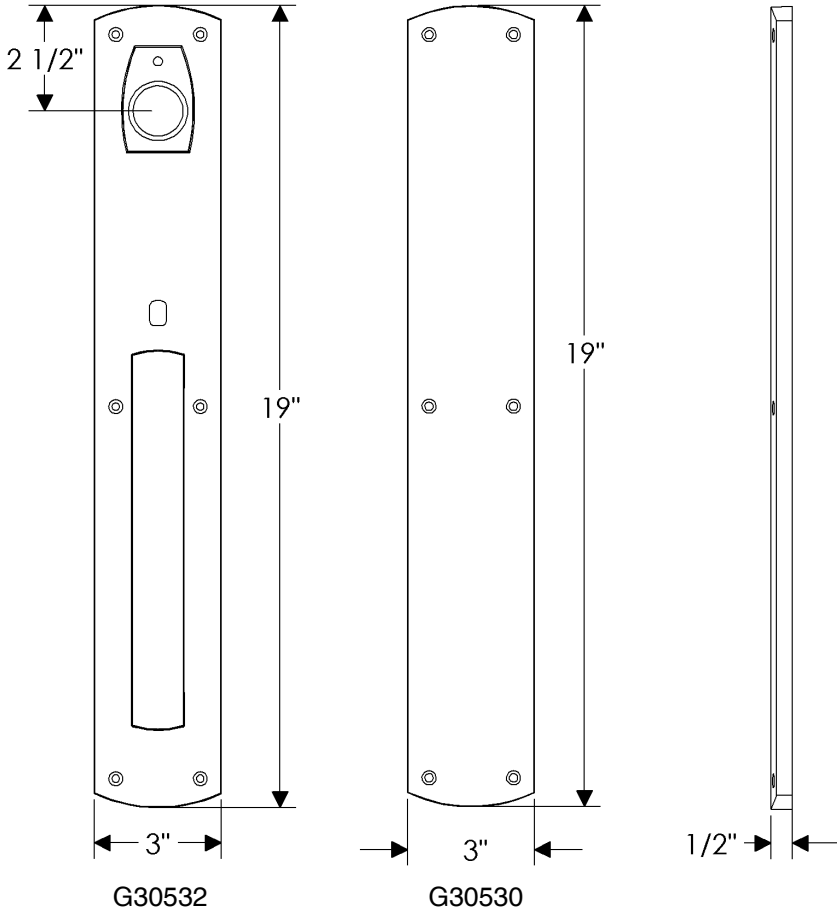


Convex Entry Set



*Also applicable with the
E30531 (Turnpiece)