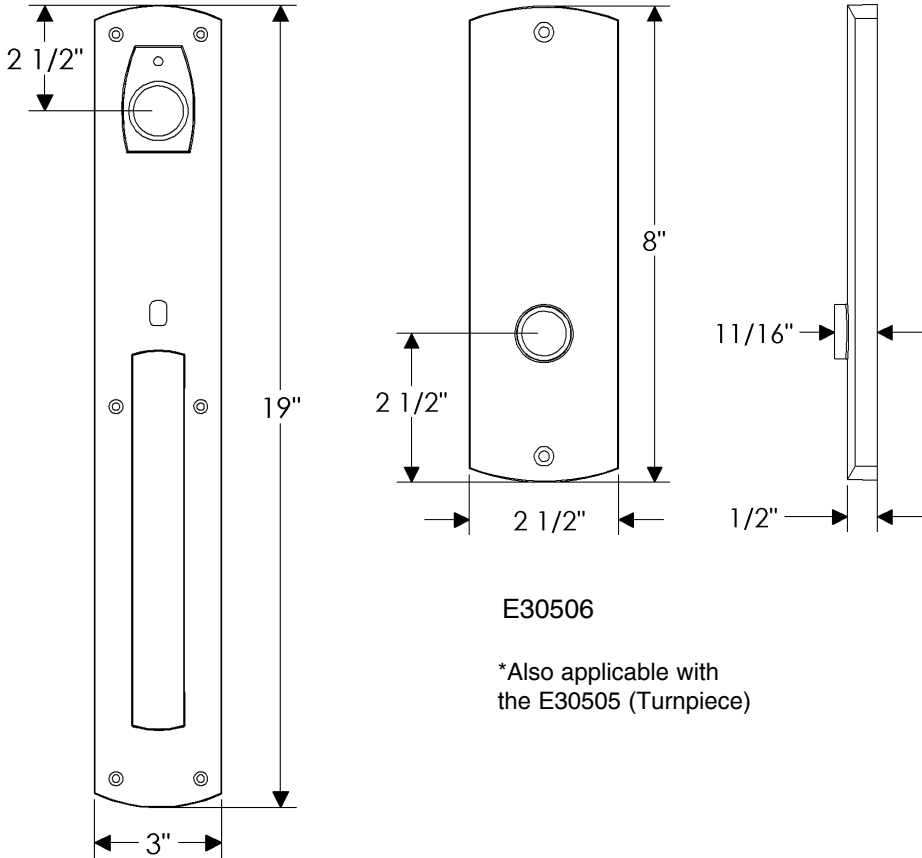


Convex Entry Set



G30532

E30506

*Also applicable with
the E30505 (Turnpiece)