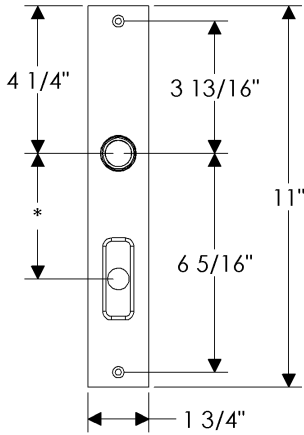
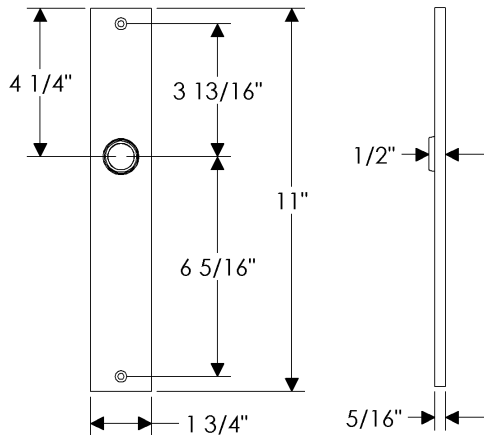


Edge Multi-Point Set



E197



E195

*Also applicable for the E196
(Turnpiece)