

Sample Order / Cheat Sheet
K Builder Series 1/2

QUOTE ORDER

NAME: _____
 ADDRESS: _____
 OFFICE PHONE: _____
 FAX PHONE: _____
 JOB PHONE: _____

PO# _____
 DELIVERY: _____
 ADDRESS: _____

ROCKY MOUNTAIN®
 H A R D W A R E
HARDWARE WORK ORDER
 Toll Free 888.788.2013 or 208.788.2013; Fax 208.788.2577

ORDER DATE: _____
 CONTACT: _____
 JOB NAME: _____

201012

LINE NO.	FUNCTION	HANDLE		ESCUTCHEON		METAL	PATINA	HANDING OR LENGTH	BACKSET	DOOR THICKNESS	LOCK TYPE	DEAD BOLT TRIM	DESCRIPTION	LOCATION #	QTY.	PRICE QUOTED
		EXTERIOR	INTERIOR	EXTERIOR	INTERIOR											
1	BPA	LB60	LB60	EB40	EB40	B	D	R	238	138	SL			1	1	260.00
2	BPR	LB50	LB50	EB75	EB75	B	R	L	234	134	SL			2	1	291.00
3	BDU	KB60	KB60	EB50	EB50	W	L	L						3	1	192.00
4	BDU	LB50	N	EB55	N	W	M	R						4	1	216.00

FUNCTION
 BPA = Builder Passage
 BPR = Builder Privacy
 BDU = Builder Dummy
 BHNG = Extruded Door Hinge

HANDLE
 For a list of Levers and Knobs available for Builder Series Sets, see next page.
 For specifications, refer to Page K1.

ESCUTCHEONS
 For a list of Escutcheons available for Builder Series Sets, see next page.
 For configurations, specifications, and pricing, refer to content of this section.

METAL
 B = Silicon Bronze
 W = White Bronze

PATINA
 L = Light
 M = Medium
 D = Dark
 R = Rust
 BB = Brushed
 DL = Dark Lustre

HANDING
 See Hinged Door Handing diagram, next page.
 L = Left Hand
 R = Right Hand
 LR = Left Hand Reverse
 RR = Right Hand Reverse

BACKSET
 238 = 2 3/8" SL
 212 = 2 1/2" ML
 234 = 2 3/4" SL
 N = No

DOOR THICKNESS
 138 = 1 3/8"
 112 = 1 1/2"
 134 = 1 3/4"
 178 = 1 7/8"
 2 = 2"
 Up-charge for sizes below.
 Call for pricing.
 214 = 2 1/4"
 212 = 2 1/2"
 258 = 2 5/8"
 234 = 2 3/4"
 3 = 3"
 314 = 3 1/4"
 312 = 3 1/2"
 4 = 4"
 N = No

LOCK TYPE
Complete Sets
 SL = Spring Latch
 ML = Mortise Lock
DEAD BOLT TRIM
 Not Applicable

DESCRIPTION
 See Page Kii
LOCATION #
 Room Number or Door Number, etc.

QTY
 Number of each desired
PRICE
 \$ List price each

HANDLES

Levers

- LB30 = Small Reed Lever
- LB50 = Small Beaver Tail Lever
- LB60 = Small Olympus Lever

Knobs

- KB40 = Small Squash Knob
- KB50 = Small Potato Knob
- KB60 = Small Luna Knob

ESCUTCHEONS

Rectangular

- EB50 = 2 1/2" x 3 3/4" Rect
- EB55 = 2 1/2" x 6 1/2" Rect
- EB56 = 2 1/2" x 6 1/2" Rect (TP)
- EB57 = 2 1/2" x 6 1/2" Rect (ER)

Stepped

- EB40 = 2 1/2" x 3 3/4" Stepped
- EB45 = 2 1/2" x 6 1/2" Stepped
- EB46 = 2 1/2" x 6 1/2" Stepped (TP)
- EB47 = 2 1/2" x 6 1/2" Stepped (ER)

Arched

- EB70 = 2 1/2" x 3 3/4" Arched
- EB75 = 2 1/2" x 6 1/2" Arched
- EB76 = 2 1/2" x 6 1/2" Arched (TP)
- EB77 = 2 1/2" x 6 1/2" Arched (ER)

Curved

- EB80 = 2 1/2" x 3 3/4" Curved
- EB85 = 2 1/2" x 6 1/2" Curved
- EB86 = 2 1/2" x 6 1/2" Curved (TP)
- EB87 = 2 1/2" x 6 1/2" Curved (ER)

Metro

- EB20 = 2 1/2" x 3 3/4" Metro
- EB25 = 2 1/2" x 6 1/2" Metro
- EB26 = 2 1/2" x 6 1/2" Metro (TP)
- EB27 = 2 1/2" x 6 1/2" Metro (ER)

DESCRIPTION

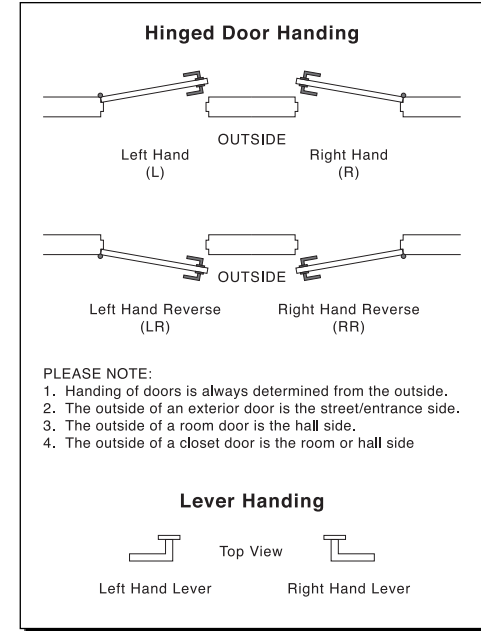
1/2" Barrel Extruded Hinges

- HNG3.5B = Plain Bearing Hinge, 3 1/2" x 3 1/2"
- HNG4B = Plain Bearing Hinge, 4" x 4"
- HNG4.5B = Plain Bearing Hinge, 4 1/2" x 4 1/2"

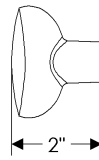
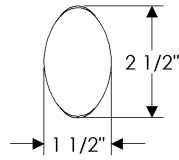
Finial Caps

- XT50 = Finial Cap, 1/2" Standard
- BT50 = Finial Cap, 1/2" Ball
- AT50 = Finial Cap, 1/2" Acorn

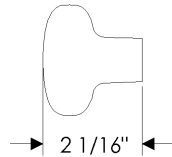
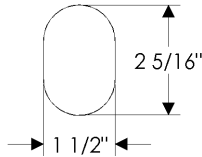
HANDING



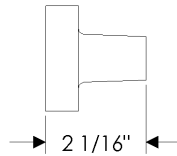
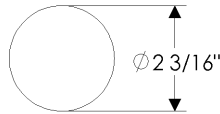
Knobs and Levers available for Builder Series combinations



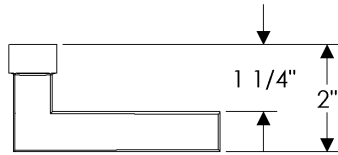
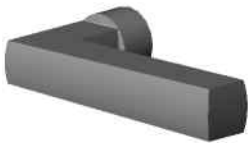
KB40 Small Squash Knob



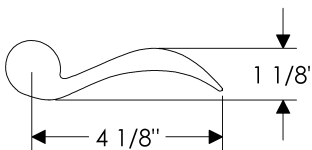
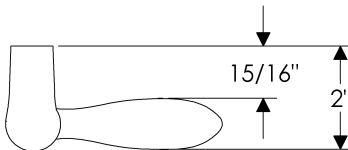
KB50 Small Potato Knob



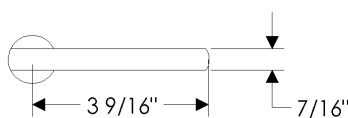
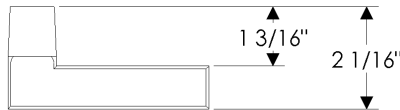
KB60 Small Luna Knob



LB30 Small Reed Lever

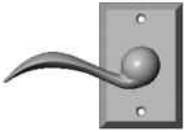
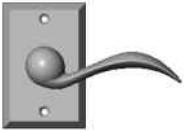
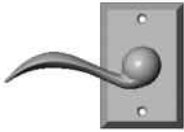
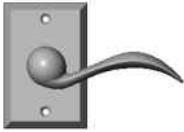
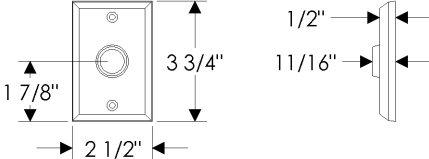






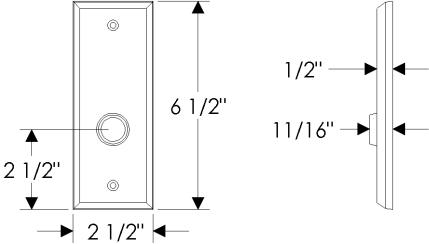
LB50 Small Beaver Tail Lever



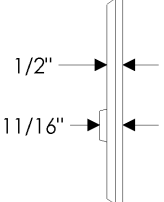
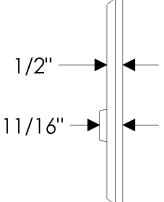
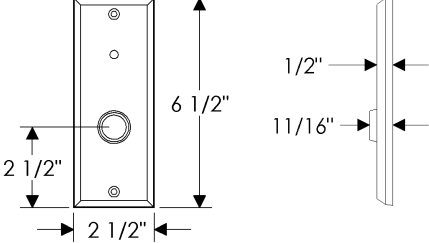


LB60 Small Olympus Lever

- Price includes your choice of any Builder Series knob or lever (KB40, KB50, KB60, LB30, LB50, or LB60).
- Combinations are shown with LB50 Small Beaver Tail Lever for illustration purposes only. Refer to page K1 for desired handle.
- Specify metal, patina, handing, backset, door thickness, and lock type.

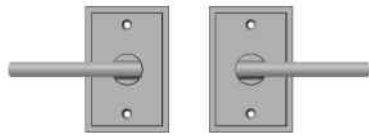
EXTERIOR	INTERIOR		EXTERIOR	INTERIOR
		RECTANGULAR ESCUTCHEONS 2 1/2" x 3 3/4" Escutcheons		
EB50	EB50		EB50	EB50
Passage Spring Latch.	\$ 260.00		Single Dummy.	\$ 96.00
Privacy Spring Latch.	\$ 268.00		Full Dummy.	\$ 192.00

		RECTANGULAR ESCUTCHEONS 2 1/2" x 6 1/2" Escutcheons		
EB55	EB55		EB55	EB55
Passage Spring Latch.	\$ 283.00		Single Dummy.	\$ 108.00
Passage Mortise Lock.	\$ 447.00		Full Dummy.	\$ 216.00
Privacy Spring Latch.	\$ 291.00			

		RECTANGULAR ESCUTCHEONS 2 1/2" x 6 1/2" Escutcheons		
EB57	EB56		EB57	EB56
Privacy Mortise Lock.	\$ 556.00			

- Price includes your choice of any Builder Series knob or lever (KB40, KB50, KB60, LB30, LB50, or LB60).
- Combinations are shown with LB60 Small Olympus Lever for illustration purposes only. Refer to page K1 for desired handle.
- Specify metal, patina, handing, backset, door thickness, and lock type.

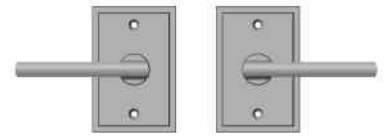
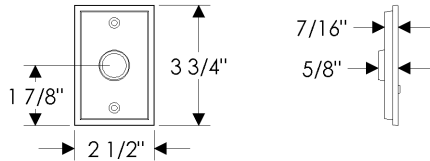
EXTERIOR INTERIOR



EB40 EB40

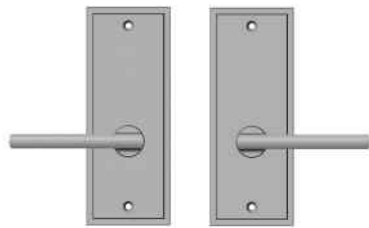
Passage Spring Latch. \$ 260.00
 Privacy Spring Latch. \$ 268.00

STEPPED ESCUTCHEONS
 2 1/2" x 3 3/4" Escutcheons



EB40 EB40

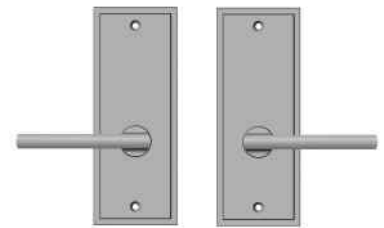
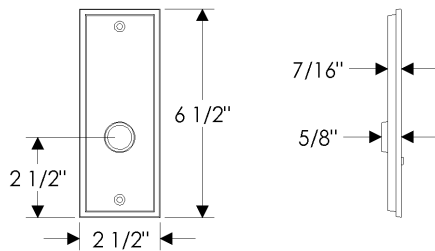
Single Dummy. \$ 96.00
 Full Dummy \$ 192.00



EB45 EB45

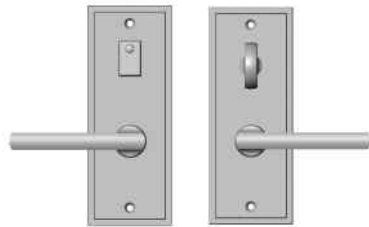
Passage Spring Latch. \$ 283.00
 Passage Mortise Lock. \$ 447.00
 Privacy Spring Latch. \$ 291.00

STEPPED ESCUTCHEONS
 2 1/2" x 6 1/2" Escutcheons



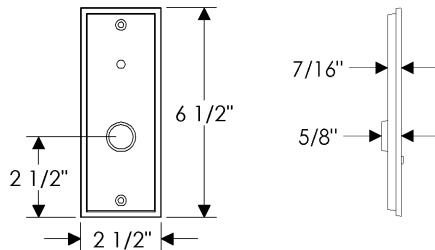
EB45 EB45

Single Dummy. \$ 108.00
 Full Dummy \$ 216.00



EB47 EB46

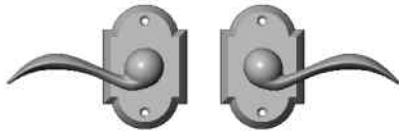
Privacy Mortise Lock. \$ 556.00



- Price includes your choice of any Builder Series knob or lever (KB40, KB50, KB60, LB30, LB50, or LB60).
- Combinations are shown with LB50 Small Beaver Tail Lever for illustration purposes only. Refer to page K1 for desired handle.
- Specify metal, patina, handing, backset, door thickness, and lock type.

EXTERIOR INTERIOR

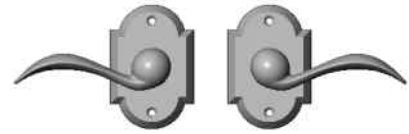
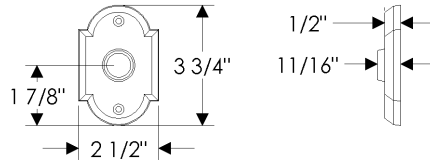
EXTERIOR INTERIOR



EB70 EB70

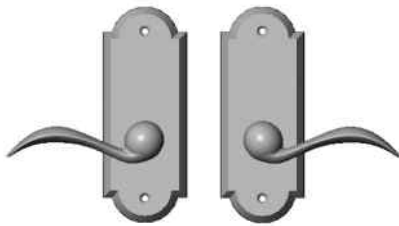
Passage Spring Latch. \$ 260.00
 Privacy Spring Latch. \$ 268.00

ARCHED ESCUTCHEONS
 2 1/2" x 3 3/4" Escutcheons



EB70 EB70

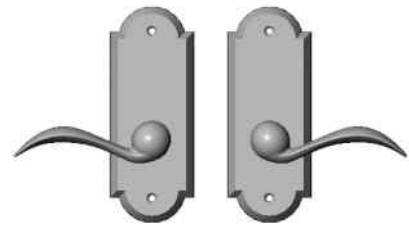
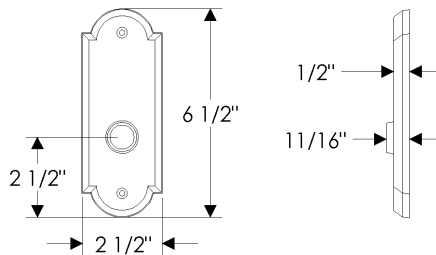
Single Dummy. \$ 96.00
 Full Dummy. \$ 192.00



EB75 EB75

Passage Spring Latch. \$ 283.00
 Passage Mortise Lock. \$ 447.00
 Privacy Spring Latch. \$ 291.00

ARCHED ESCUTCHEONS
 2 1/2" x 6 1/2" Escutcheons



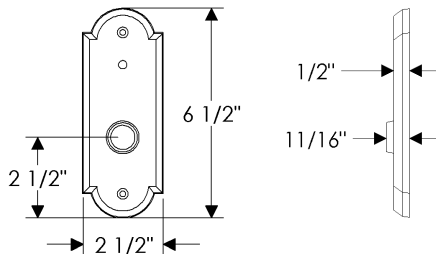
EB75 EB75

Single Dummy. \$ 108.00
 Full Dummy. \$ 216.00



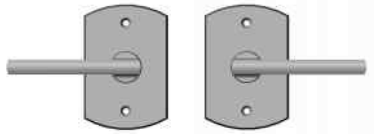
EB77 EB76

Privacy Mortise Lock. \$ 556.00



- Price includes your choice of any Builder Series knob or lever (KB40, KB50, KB60, LB30, LB50, or LB60).
- Combinations are shown with LB60 Small Olympus Lever for illustration purposes only. Refer to page K1 for desired handle.
- Specify metal, patina, handing, backset, door thickness, and lock type.

EXTERIOR INTERIOR

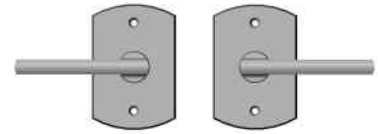
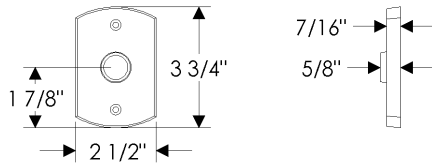


EB80 EB80

Passage Spring Latch. \$ 260.00
 Privacy Spring Latch. \$ 268.00

CURVED ESCUTCHEONS

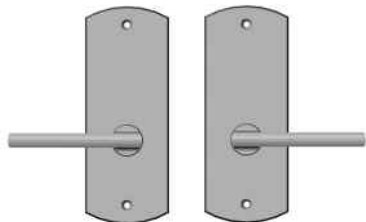
2 1/2" x 3 3/4" Escutcheons



EXTERIOR INTERIOR

EB80 EB80

Single Dummy. \$ 96.00
 Full Dummy \$ 192.00

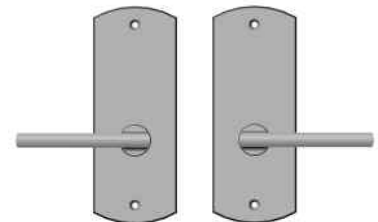
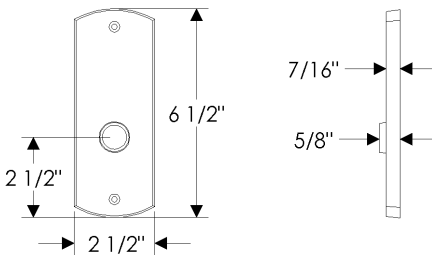


EB85 EB85

Passage Spring Latch. \$ 283.00
 Passage Mortise Lock. \$ 447.00
 Privacy Spring Latch. \$ 291.00

CURVED ESCUTCHEONS

2 1/2" x 6 1/2" Escutcheons



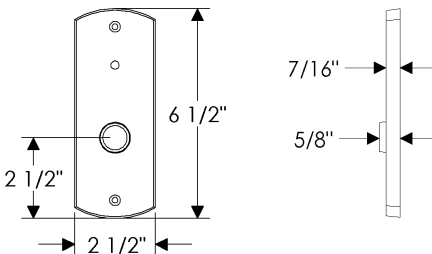
EB85 EB85

Single Dummy. \$ 108.00
 Full Dummy \$ 216.00



EB87 EB86

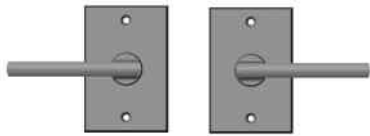
Privacy Mortise Lock. \$ 556.00



- Price includes your choice of any Builder Series knob or lever (KB40, KB50, KB60, LB30, LB50, or LB60).
- Combinations are shown with LB60 Small Olympus Lever for illustration purposes only. Refer to page K1 for desired handle.
- Specify metal, patina, handing, backset, door thickness, and lock type.

EXTERIOR INTERIOR

EXTERIOR INTERIOR

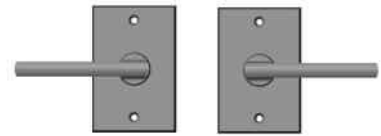
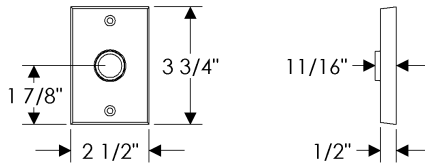


EB20 EB20

Passage Spring Latch. \$ 260.00
 Privacy Spring Latch. \$ 268.00

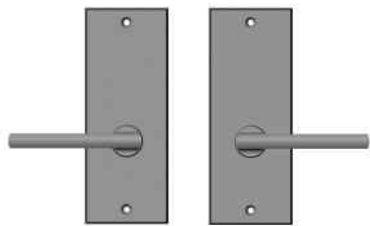
METRO ESCUTCHEONS

2 1/2" x 3 3/4" Escutcheons



EB20 EB20

Single Dummy. \$ 96.00
 Full Dummy. \$ 192.00

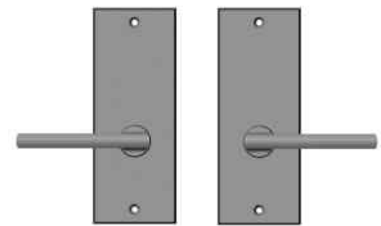
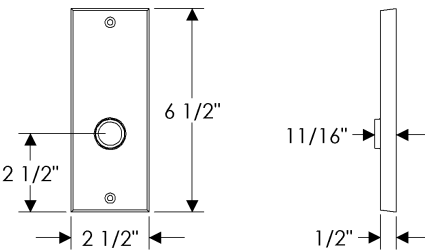


EB25 EB25

Passage Spring Latch. \$ 283.00
 Passage Mortise Latch. \$ 447.00
 Privacy Spring Latch. \$ 291.00

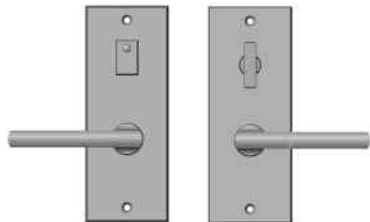
METRO ESCUTCHEONS

2 1/2" x 6 1/2" Escutcheons



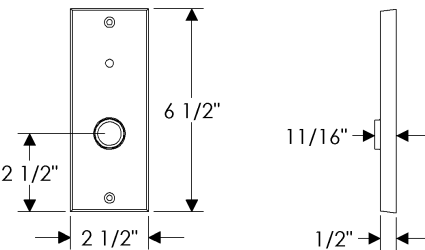
EB25 EB25

Single Dummy. \$ 108.00
 Full Dummy. \$ 216.00



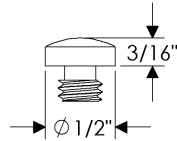
EB27 EB26

Privacy Mortise Lock. \$ 556.00

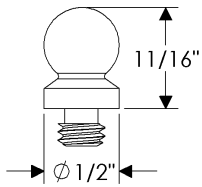


- Specify metal and patina.
- Two caps are included with hinge. Priced individually for replacement.
- Finial Caps shown on this page are compatible with Plain Bearing Extruded 1/2" Barrell Hinges.

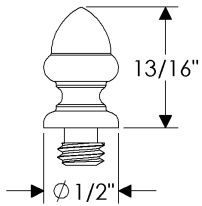
Finial Caps—1/2" Barrel



XT50 Standard Finial Cap
 / Each \$ 37.00
 / Pair \$ 74.00



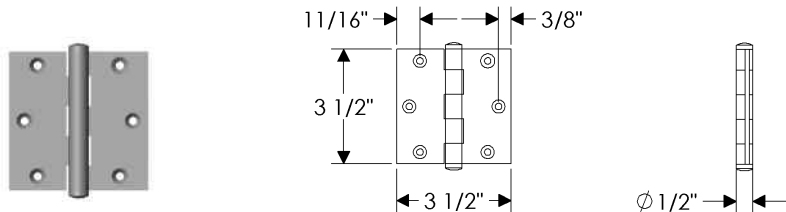
BT50 Ball Finial Cap
 / Each \$ 37.00
 / Pair \$ 74.00



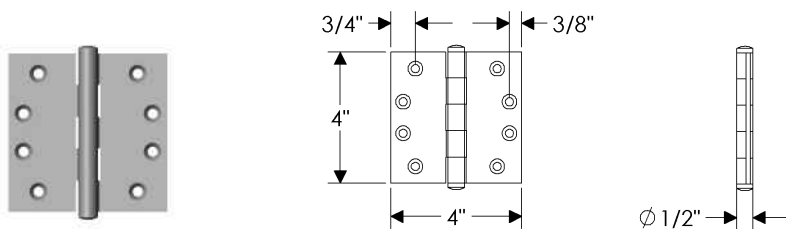
AT50 Acorn Finial Cap
 / Each \$ 37.00
 / Pair \$ 74.00

- Specify metal and patina.
- Price includes your choice of 1/2" Finial Caps.
- Hinge leaf thickness is .125. Unless otherwise specified.
- Each hinge is supplied with two 3" long and eight 1 1/4" long slotted screws. Flat-head Phillips screws available upon request.

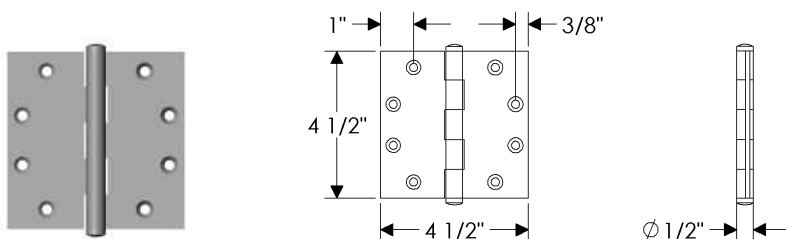
Plain Bearing Extruded Hinges—1/2" Barrel



HNG3.5B Plain Bearing Extruded Hinge
 3 1/2" x 3 1/2" / Each \$ 98.00



HNG4B Plain Bearing Extruded Hinge
 4" x 4" / Each \$ 107.00



HNG4.5B Plain Bearing Extruded Hinge
 4 1/2" x 4 1/2" / Each \$ 118.00