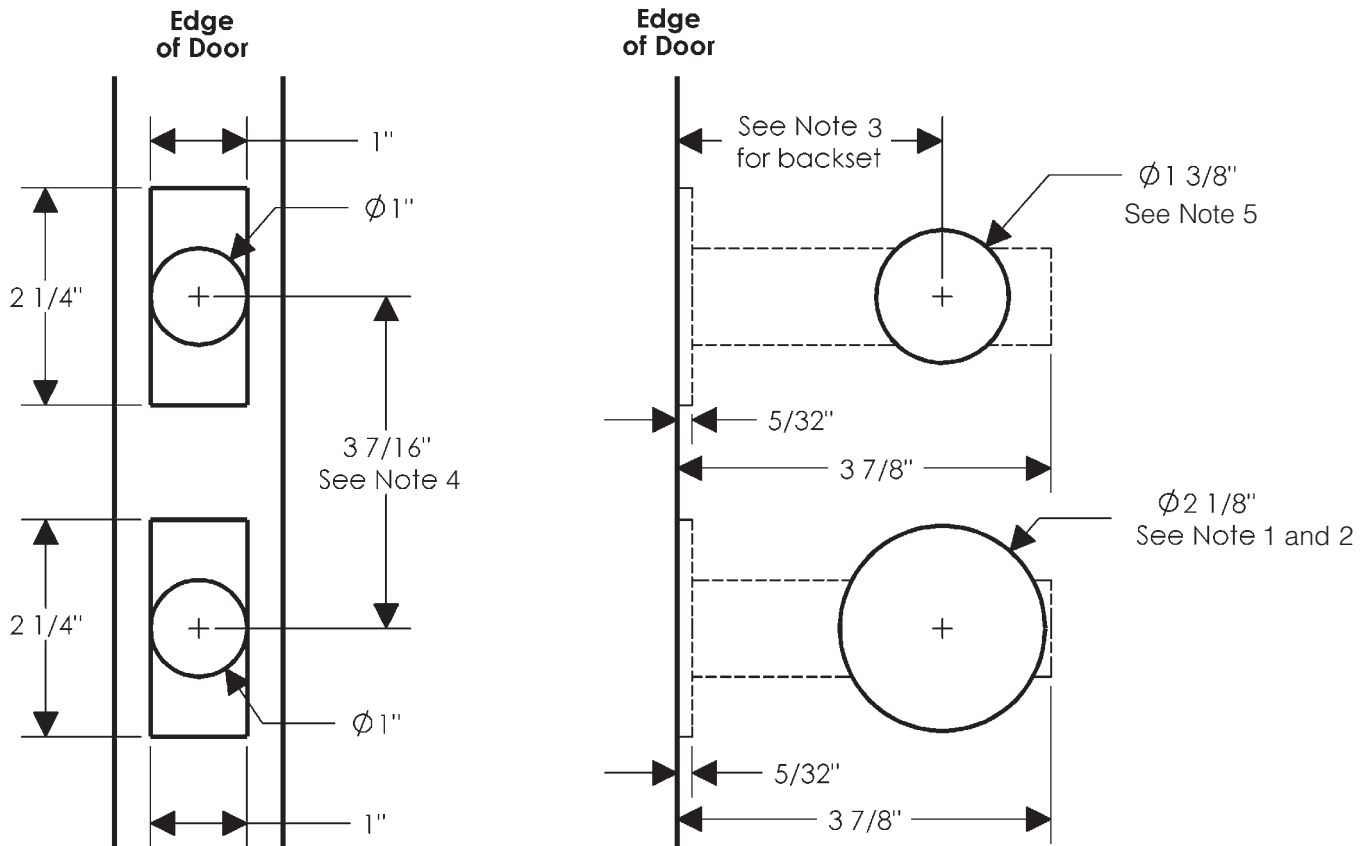


**Patio Spring Latch/Dead Bolt—Interior Only**



**Notes:**

1. This face bore does not work for E101, E103, E201, E202, E204, E205, E207, E415, E416, E417, E418, E589, E821, E10820, and E10877. These escutcheons require a 7/8" face bore.
2. This face bore does not work for E10016. This escutcheon requires a 1 5/8" face bore offset 1/8" down from center of spring latch.
3. This bore specification is applicable for 2 3/8" or 2 3/4" backset spring latches/dead bolts.
4. This center-to-center dimension may change with escutcheon selection.
5. This face bore does not work for IP417, IP203, IP205, and IP580. These escutcheons require a 5/8" face bore offset 1/4" down from center line of deadbolt. See Patio Deadbolt for IP417, IP203, IP205, and IP580.